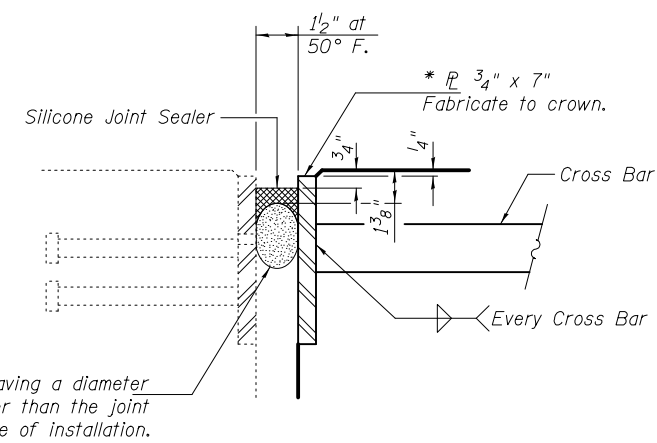
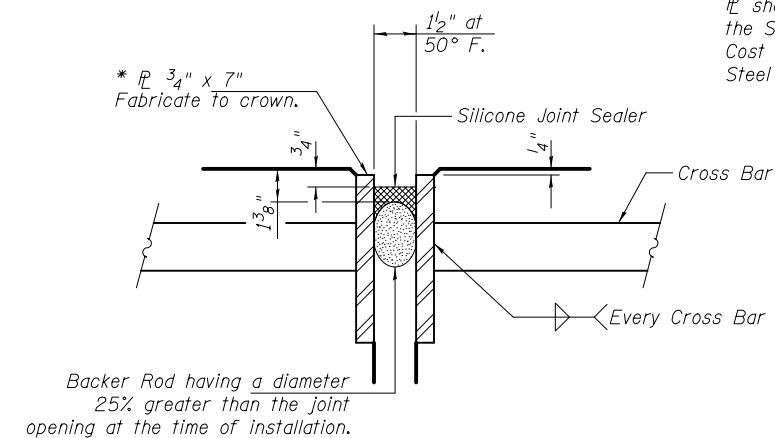


**GRID DECK FLOOR SYSTEM**

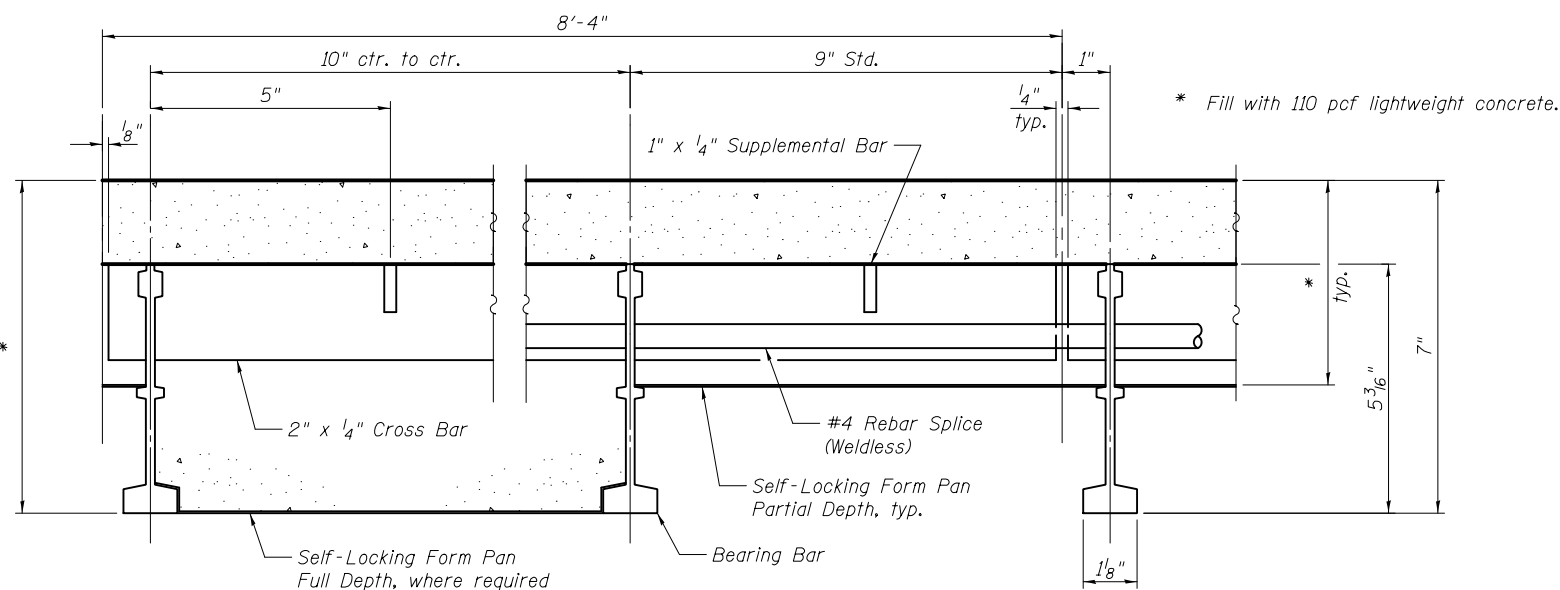


**SILICONE JOINT SEALER DETAIL AT L17 AND L17'**



**SILICONE JOINT SEALER DETAIL AT L20, L22, L25, L25' AND L20'**

\* Furnish in segments of 20 ft. maximum length. Maximum space between installed segments shall be 3/16". Seal space with Silicone Sealant suitable for Structural Steel. After fabrication, all surfaces of the steel rebar shall be galvanized in accordance with the Steel Grid Deck Special Provision. Cost of the plate shall be included with Steel Grid Deck.



**SECTION A-A**

Notes:  
 Grid deck rebar splice, cross bar and supplementary bar sizes shown are minimums, see Special Provisions.  
 Grid deck panel widths may be adjusted to meet the distance requirements of the grid deck between roadway expansion devices.  
 Grid deck material shall be AASHTO M270 Grade 50.  
 Reinforcing bar shall be AASHTO M31 Grade 60.  
 See Steel Grid Deck Special Provision for additional information related to this work.

**BILL OF MATERIAL**

| Item                        | Unit    | Total  |
|-----------------------------|---------|--------|
| Steel Grid Deck             | Sq. Ft. | 31,026 |
| Bridge Deck Grooving        | Sq. Yd. | 3058   |
| Silicone Joint Sealer, 1.5" | Foot    | 300    |
| Floor Drains                | Each    | 100    |



|                        |                |         |
|------------------------|----------------|---------|
| USER NAME =            | DESIGNED - YSS | REVISED |
|                        | CHECKED - ZJB  | REVISED |
| PLOT SCALE =           | DRAWN - PRC    | REVISED |
| PLOT DATE = 03/20/2014 | CHECKED - YSS  | REVISED |

STATE OF ILLINOIS  
 DEPARTMENT OF TRANSPORTATION

MAIN SPANS GRID DECK DETAILS - 3  
 S.N. 082-6001 MLK BRIDGE OVER MISSISSIPPI RIVER

SHEET NO. S16 OF S138 SHEETS

|                           |            |           |              |           |
|---------------------------|------------|-----------|--------------|-----------|
| F.A.P. RTE.               | SECTION    | COUNTY    | TOTAL SHEETS | SHEET NO. |
| 799                       | 1BR, DRS-2 | ST. CLAIR | 156          | 34        |
| CONTRACT NO. 76B03        |            |           |              |           |
| ILLINOIS FED. AID PROJECT |            |           |              |           |