

STRINGER UPSET WELDMENT DETAIL

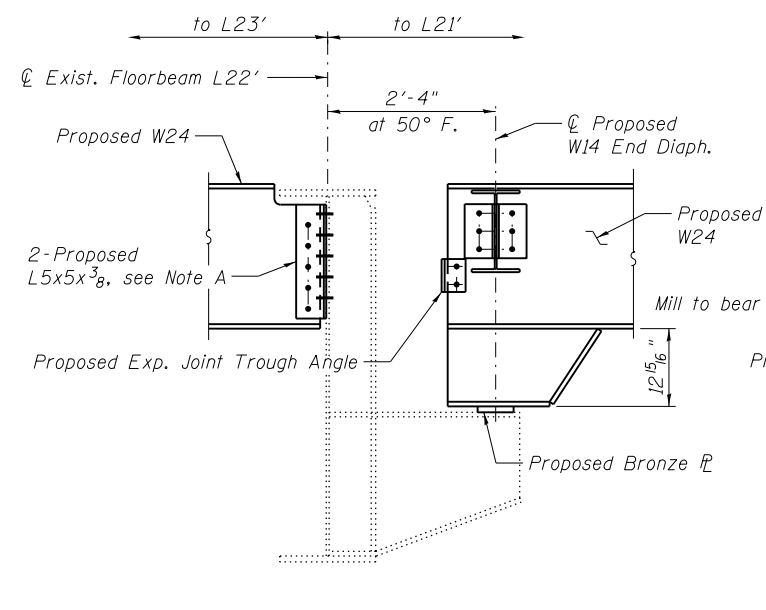
at Stringers 1-3 and 5-7
L22' end (expansion side) only

Note:
All material for weldments shall be
AASHTO M270 Grade 50.

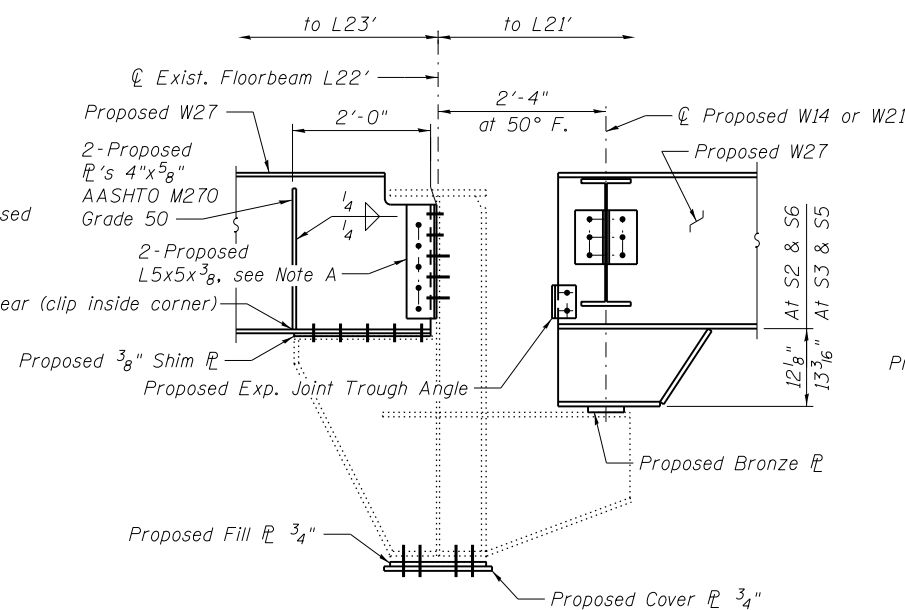
ELEVATION - FLOORBEAM L22'

Existing Finger Plate Expansion Joint to be removed and reset, see sheet S104.
Use existing top flange holes for expansion joint as a template for field drilling
holes in top cover plate.

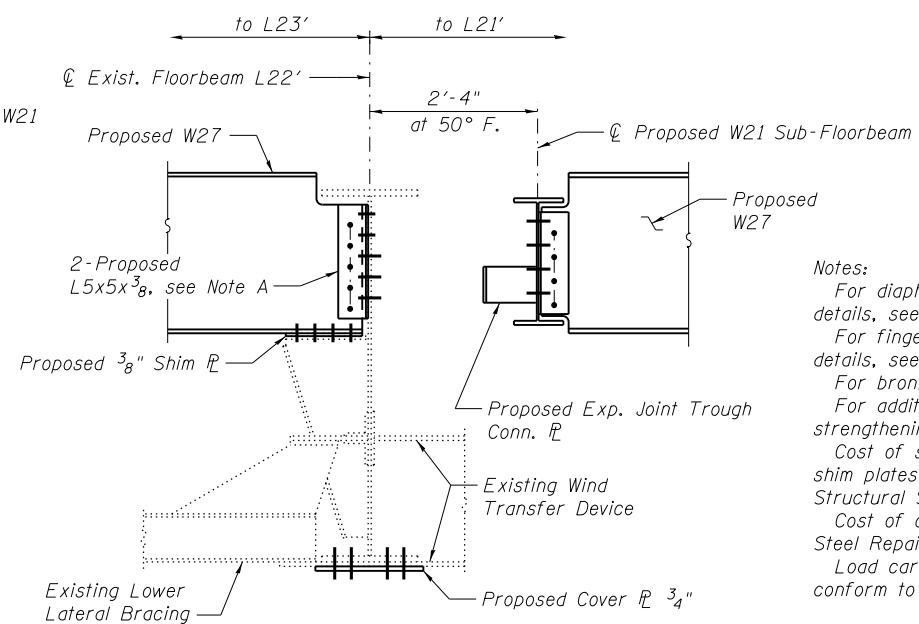
Note A:
Field drill holes using existing holes as template.
Remainder of holes may be shop or field drilled.



SECTION A-A



SECTION B-B



SECTION C-C

Notes:
For diaphragm, sub-floorbeam and connection angle
details, see sheet S24.
For finger plate expansion joint trough connection
details, see sheet S104.
For bronze plate detail, see sheet S23.
For additional cover plate details for floorbeam
strengthening, see sheet S22.
Cost of stringer upset weldment, connection angles and
shim plates shall be included in Furnishing and Erecting
Structural Steel.
Cost of cover plates shall be included in Structural
Steel Repair.
Load carrying components designated "NTR" shall
conform to the Impact Testing Requirement, Zone 2.

BILL OF MATERIAL

Item	Unit	Total
Structural Steel Repair	Pound	3,940



USER NAME =	DESIGNED - MEL/YSS	REVISED
	CHECKED - CDB/ZJB	REVISED
PLOT SCALE =	DRAWN - PRC	REVISED
PLOT DATE = 05/02/2014	CHECKED - MEL/YSS	REVISED

**STATE OF ILLINOIS
DEPARTMENT OF TRANSPORTATION**

**MAIN SPANS GRID DECK FRAMING DETAILS - 4
S.N. 082-6001 MLK BRIDGE OVER MISSISSIPPI RIVER**

SHEET NO. S20 OF S138 SHEETS

F.A.P. RTE.	SECTION	COUNTY	TOTAL SHEETS	SHEET NO.
799	IBR, DRS-2	ST. CLAIR	156	38
CONTRACT NO. 76B03				

ILLINOIS FED. AID PROJECT