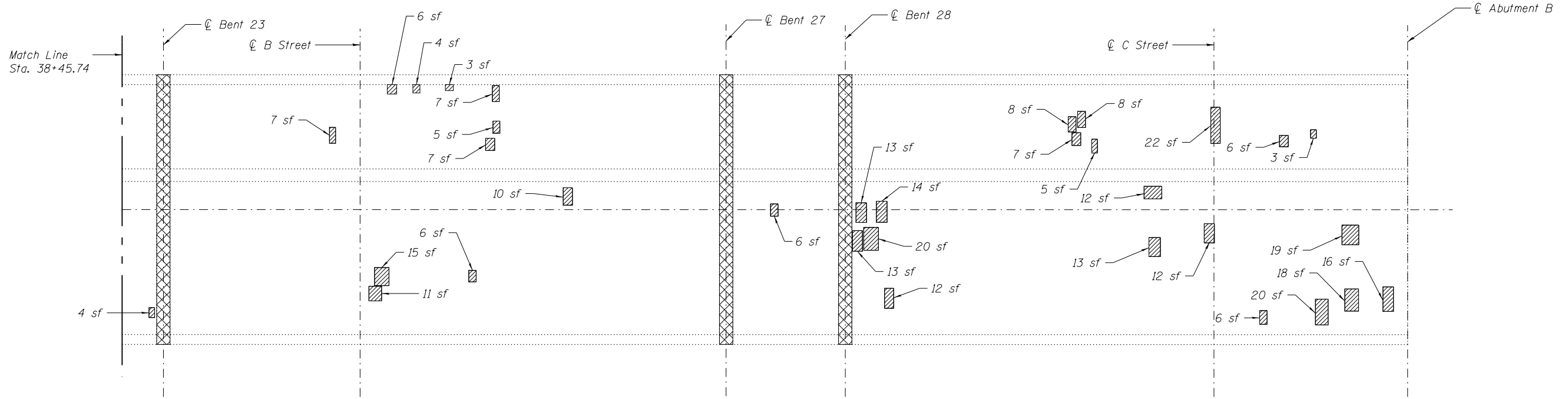


PARTIAL PLAN
(Spans 14 through 23)



PARTIAL PLAN
(Spans 24 through 32)

LEGEND

- sf Square Feet
- Deck Slab Repair (Patial)
- Concrete Removal

Notes:
 Repair of the existing deck slab shall include but may not be limited to the areas shown. The actual area to be repaired will be determined by the Engineer at the time of construction. See Sheet S092 of S138 for concrete removal quantities.
 Bridge deck concrete sealer shall be applied on top and inside surfaces of all concrete barriers and top of slab for entire bridge including grid deck floor system.

BILL OF MATERIAL

ITEM	UNIT	TOTAL
Deck Slab Repair (Partial)	Sq. Yd.	85
Bridge Deck Concrete Sealer	Sq. Ft.	51,900

(Sheet 3 of 3)