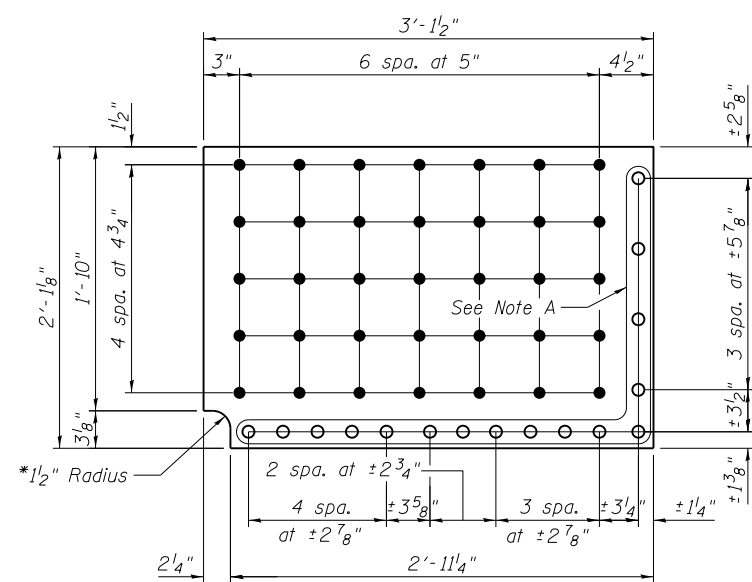


NORTH END AT PANEL POINT L6'
EAST FACE
(Span 11)

NORTH END AT PANEL POINT L6'
WEST FACE
(Span 11)

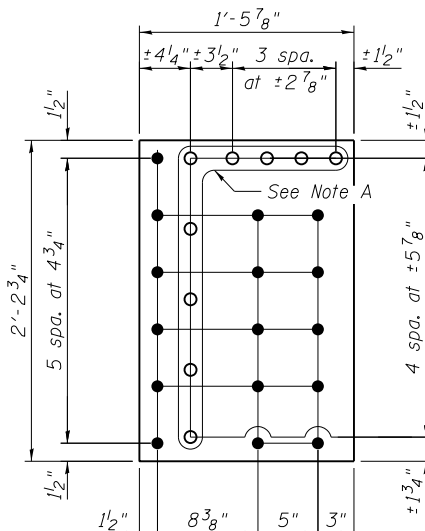
FLOORBEAM WEB REPAIRS

Note A:
Field drill holes using existing holes as template.
Remainder of holes may be shop or field drilled.

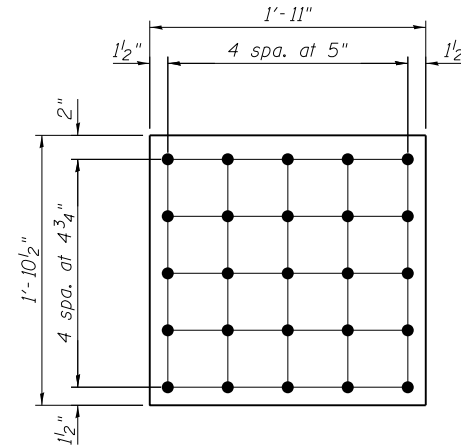


REPAIR P A12
P 3/8" x 25 1/8" x 3'-1 1/2"

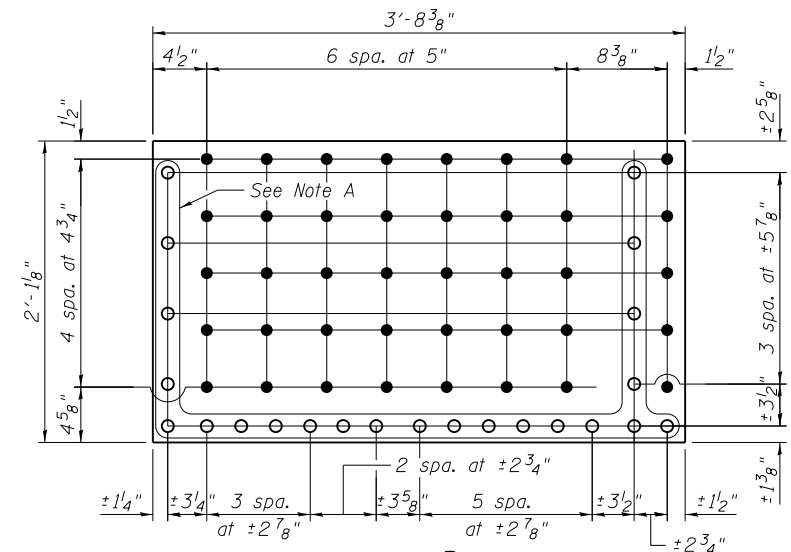
* Grind smooth to an ANSI 250 finish



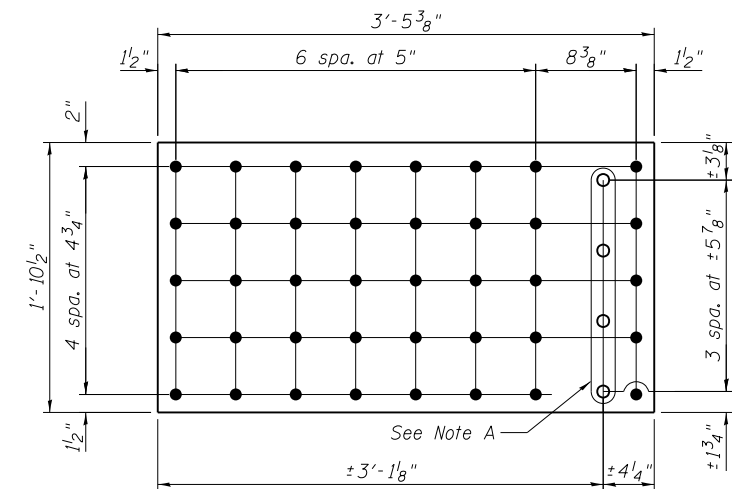
FILL P B12
P 9/16" x 17 7/8" x 2'-2 3/4"



FILL P C12
P 9/16" x 22 1/2" x 1'-11"



REPAIR P D12
P 3/8" x 25 1/8" x 3'-8 3/8"



FILL P E12
P 9/16" x 22 1/2" x 3'-5 3/8"

Note:
See sheet S75 for additional repair angle and fill plate details.

BILL OF MATERIAL

Item	Unit	Total
Structural Steel Repair	Pound	660



USER NAME =	DESIGNED - PRC	REVISED
	CHECKED - CDB	REVISED
PLOT SCALE =	DRAWN - PRC	REVISED
PLOT DATE = 05/02/2014	CHECKED - CDB	REVISED

STATE OF ILLINOIS
DEPARTMENT OF TRANSPORTATION

MAIN SPANS FLOORBEAM WEB REPAIRS - 12
S.N. 082-6001 MLK BRIDGE OVER MISSISSIPPI RIVER

SHEET NO. S76 OF S138 SHEETS

F.A.P. RTE.	SECTION	COUNTY	TOTAL SHEETS	SHEET NO.
799	1BR, DRS-2	ST. CLAIR	156	94
CONTRACT NO. 76B03				

ILLINOIS FED. AID PROJECT