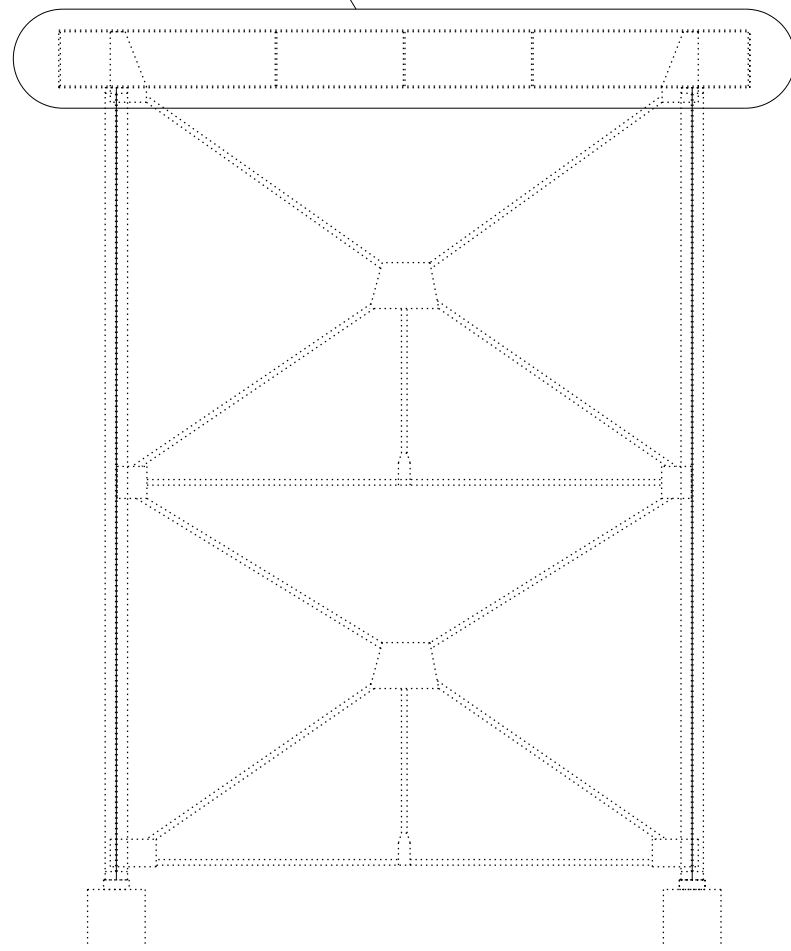
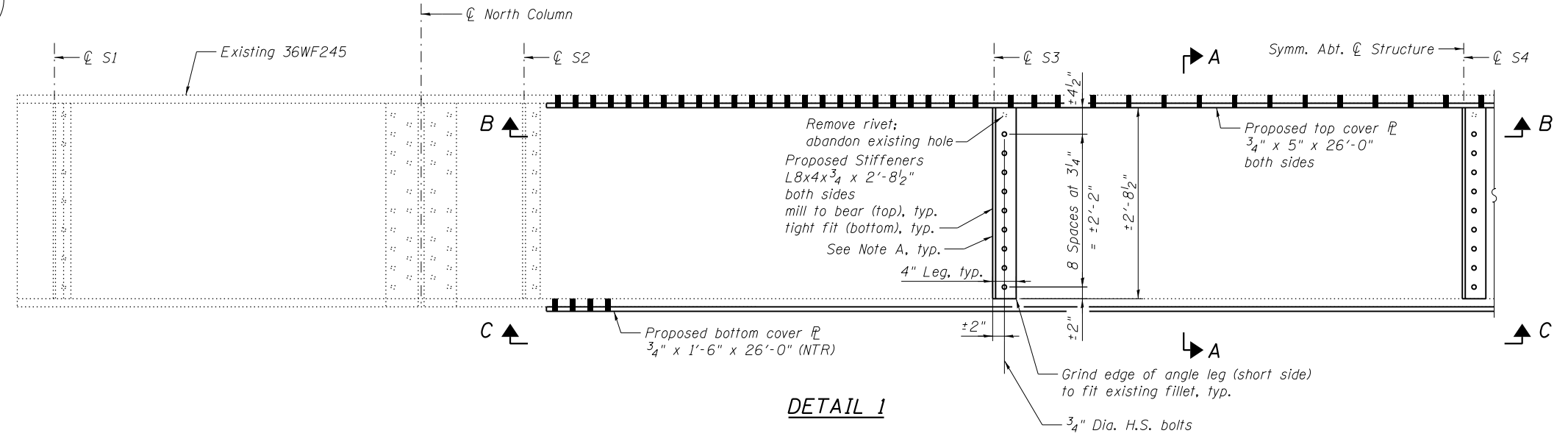


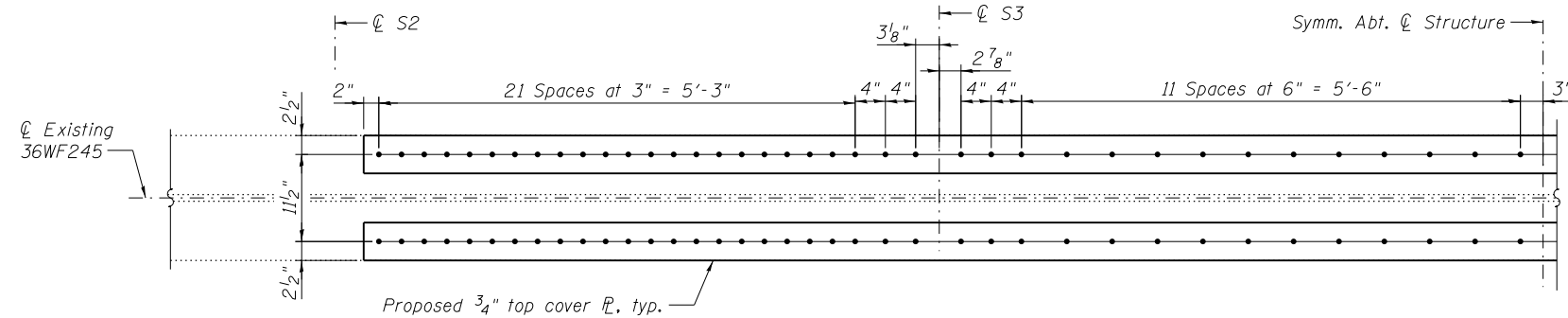
Strengthen Bent Cap.  
see Detail 1, this sheet.



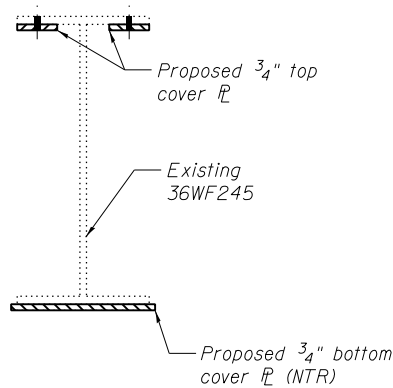
**BENT 7**  
(Looking East)



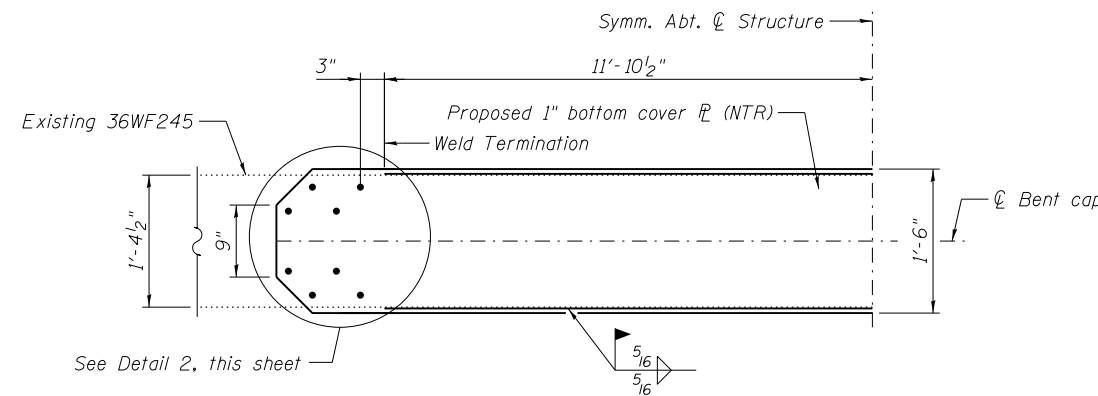
**DETAIL 1**



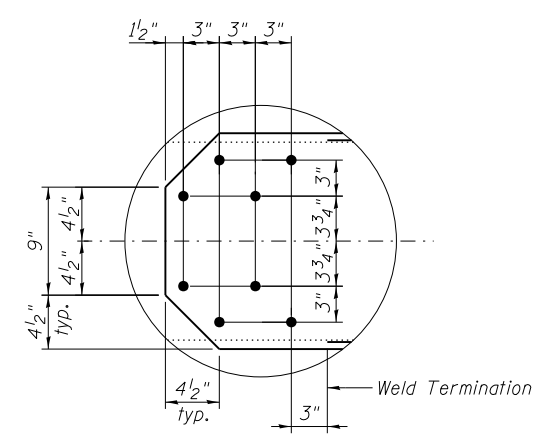
**SECTION B-B**



**SECTION A-A**



**VIEW C-C**



**DETAIL 2**

Note A:  
Field drill holes using existing holes as template.  
Remainder of holes may be shop or field drilled.

**BILL OF MATERIAL**

| Item                    | Unit  | Total |
|-------------------------|-------|-------|
| Structural Steel Repair | Pound | 2,510 |

Notes:  
Load carrying components designated "NTR" shall conform to the Impact Testing Requirement, Zone 2.  
Per existing details, stringer bearings do not interfere with proposed top flange cover plates. Therefore bearing details are not shown and tap bolts are not required.



|                        |                |         |
|------------------------|----------------|---------|
| USER NAME =            | DESIGNED - YSS | REVISED |
| PLOT SCALE =           | CHECKED - ZJB  | REVISED |
| PLOT DATE = 05/02/2014 | DRAWN - AEC    | REVISED |
|                        | CHECKED - YSS  | REVISED |

**STATE OF ILLINOIS**  
**DEPARTMENT OF TRANSPORTATION**

**MISSOURI APPROACH BENT 7 REPAIRS**  
**S.N. 082-6001 MLK BRIDGE OVER MISSISSIPPI RIVER**

| F.A.P. RTE.        | SECTION    | COUNTY    | TOTAL SHEETS | SHEET NO. |
|--------------------|------------|-----------|--------------|-----------|
| 799                | IBR, DRS-2 | ST. CLAIR | 156          | 130       |
| CONTRACT NO. 76B03 |            |           |              |           |

SHEET NO. S112 OF S138 SHEETS

ILLINOIS FED. AID PROJECT