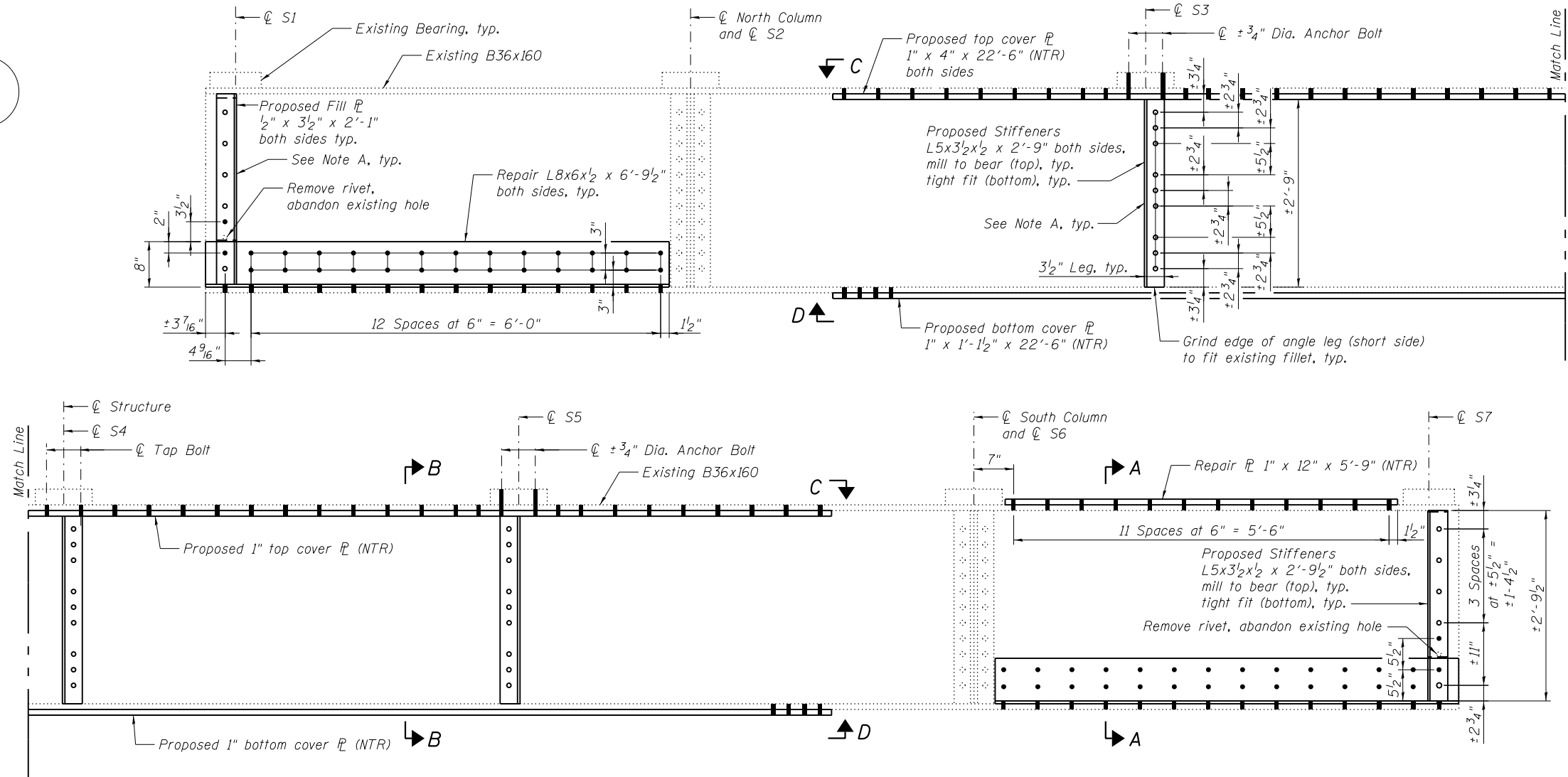
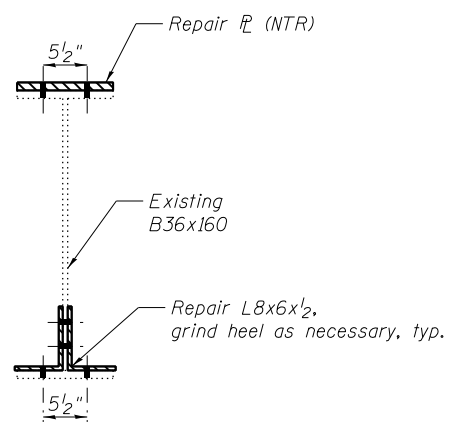


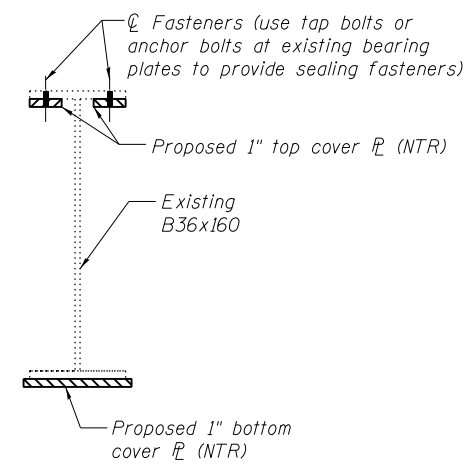
**BENT 17**  
(Looking East)



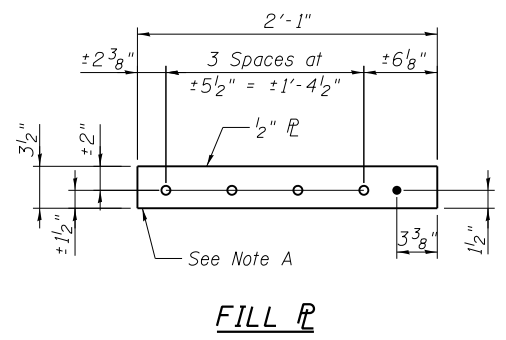
**DETAIL 1**



**SECTION A-A**



**SECTION B-B**



**FILL PL**

**BILL OF MATERIAL**

Item	Unit	Total
Structural Steel Repair	Pound	3,460

Notes:  
 All bolted connections shown on this sheet shall be made with 3/4" dia. H.S. bolts.  
 Load carrying components designated "NTR" shall conform to the Impact Testing Requirement, Zone 2.  
 For View C-C and View D-D details, see sheet S124.

Note A:  
 Field drill holes using existing holes as template. Remainder of holes may be shop or field drilled.



USER NAME =	DESIGNED - YSS	REVISED
	CHECKED - ZJB	REVISED
PLOT SCALE =	DRAWN - AEC	REVISED
PLOT DATE = 05/02/2014	CHECKED - YSS	REVISED

**STATE OF ILLINOIS**  
**DEPARTMENT OF TRANSPORTATION**

**ILLINOIS APPROACH BENT 17 REPAIRS - 1**  
**S.N. 082-6001 MLK BRIDGE OVER MISSISSIPPI RIVER**

SHEET NO. S114 OF S138 SHEETS

F.A.P. RTE.	SECTION	COUNTY	TOTAL SHEETS	SHEET NO.
799	IBR, DRS-2	ST. CLAIR	156	132
CONTRACT NO. 76B03				
ILLINOIS FED. AID PROJECT				