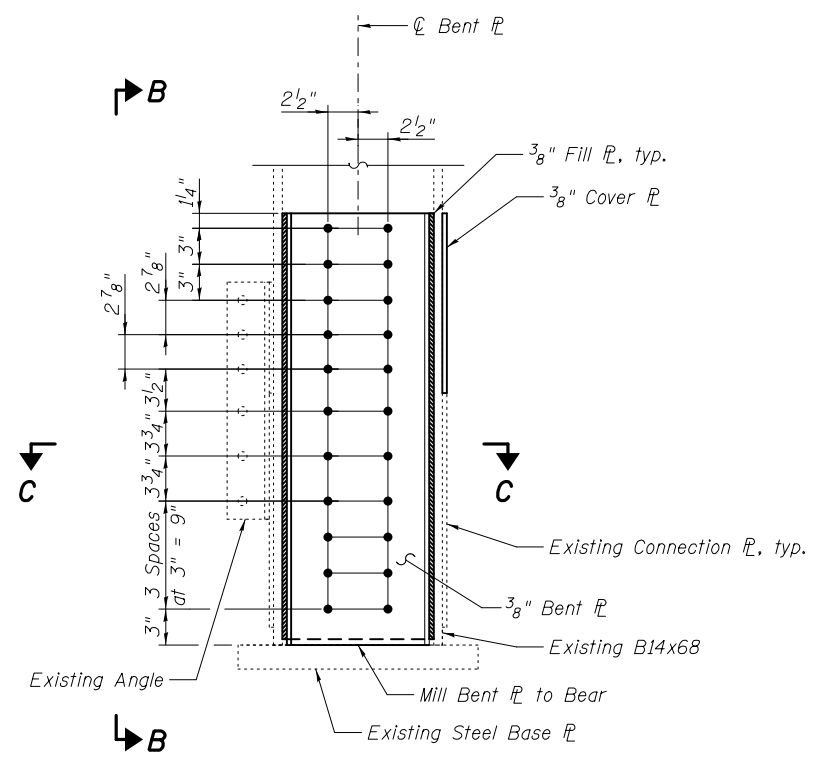
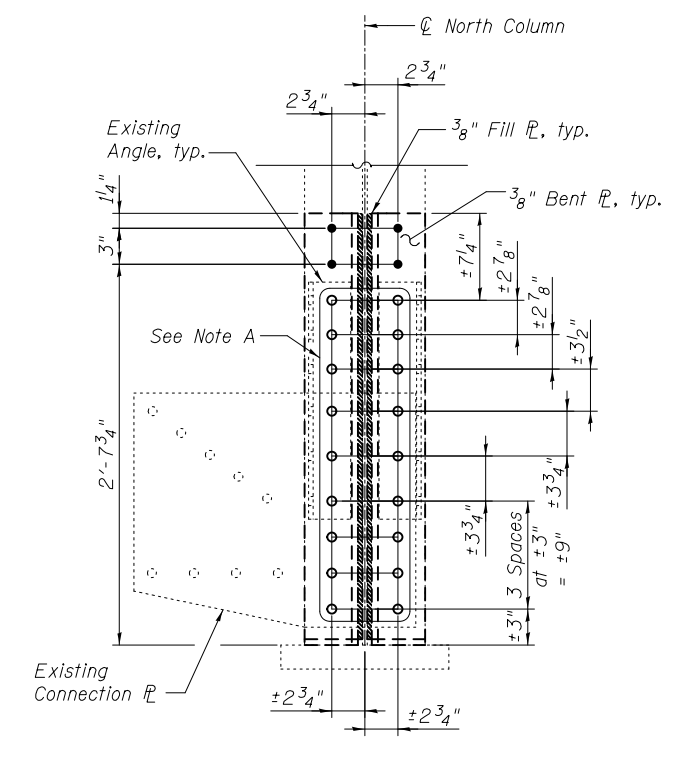


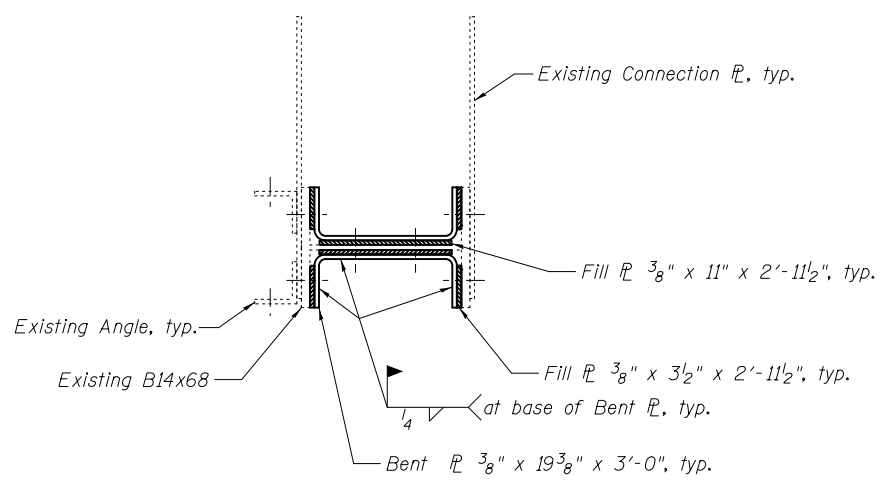
DETAIL 2



VIEW A-A



VIEW B-B



SECTION C-C

Note A:
Field drill holes using existing holes as template.
Remainder of holes may be shop or field drilled.

Notes:
All bolted connections shown on this sheet shall be made
with 3/4" dia. H.S. bolts.
For location of Detail 2 and Bill of Material, see sheet S114.



USER NAME =	DESIGNED - ZJB	REVISED
	CHECKED - YSS	REVISED
PLOT SCALE =	DRAWN - AEC	REVISED
PLOT DATE = 03/20/2014	CHECKED - ZJB	REVISED

STATE OF ILLINOIS
DEPARTMENT OF TRANSPORTATION

ILLINOIS APPROACH BENT 17 REPAIRS - 2
S.N. 082-6001 MLK BRIDGE OVER MISSISSIPPI RIVER

SHEET NO. S115 OF S138 SHEETS

F.A.P. RTE.	SECTION	COUNTY	TOTAL SHEETS	SHEET NO.
799	IBR, DRS-2	ST. CLAIR	156	133
CONTRACT NO. 76B03				
ILLINOIS FED. AID PROJECT				