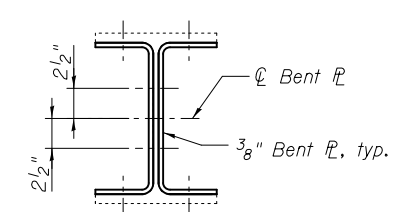
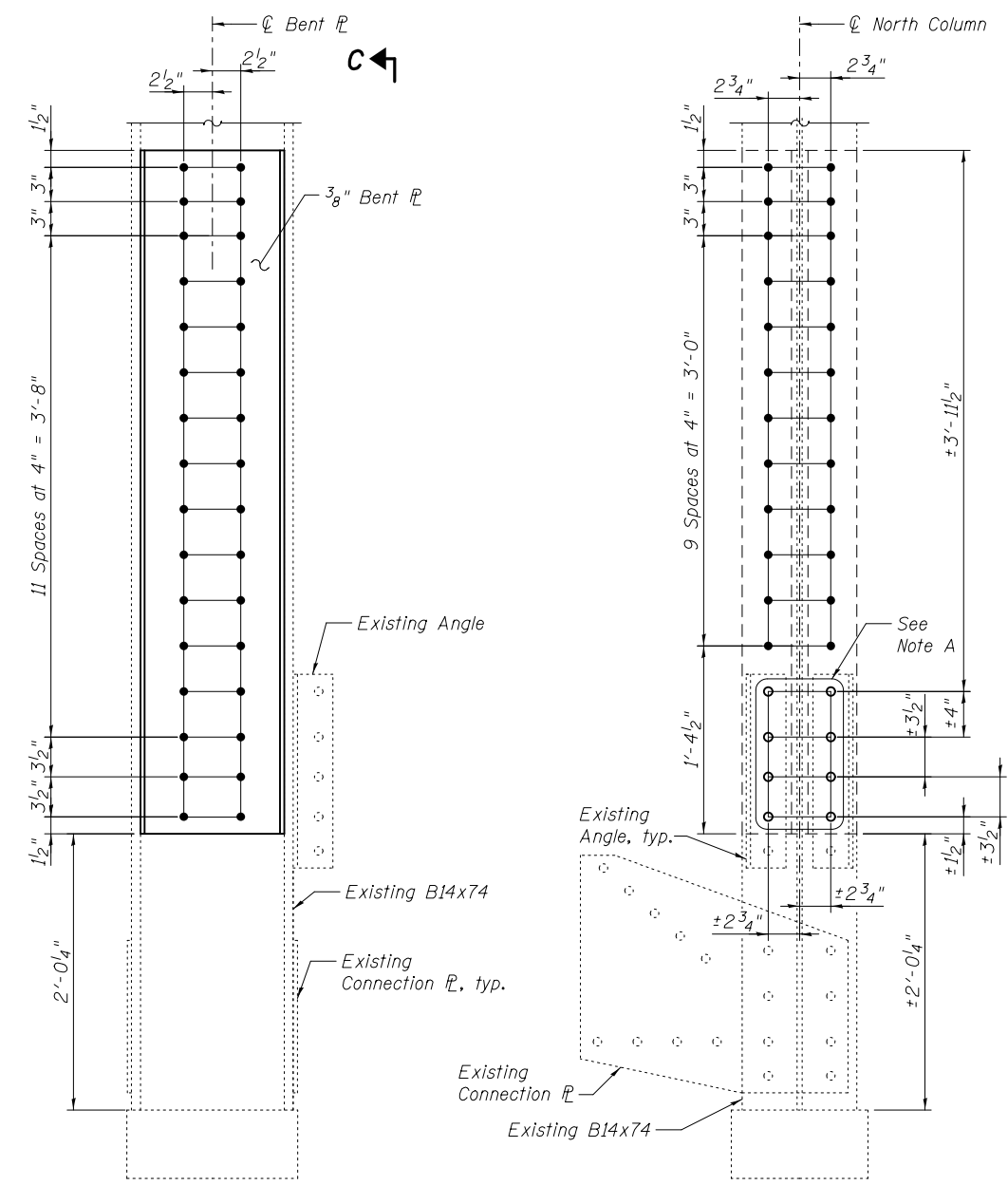


DETAIL 4

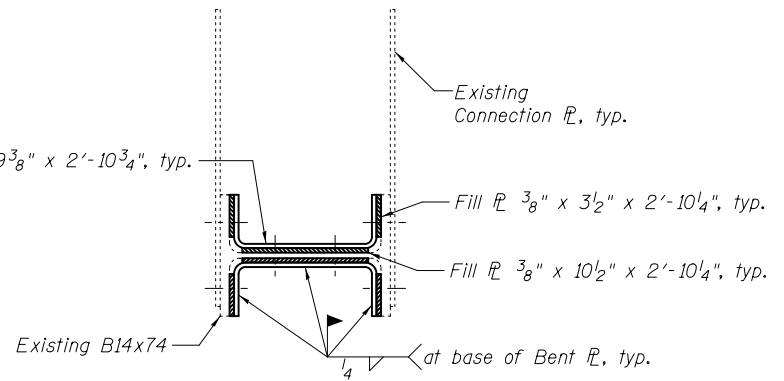


SECTION A-A

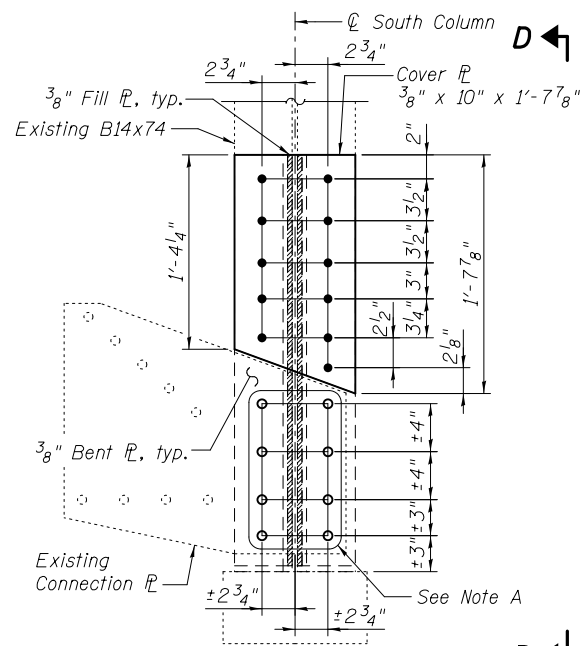


VIEW B-B

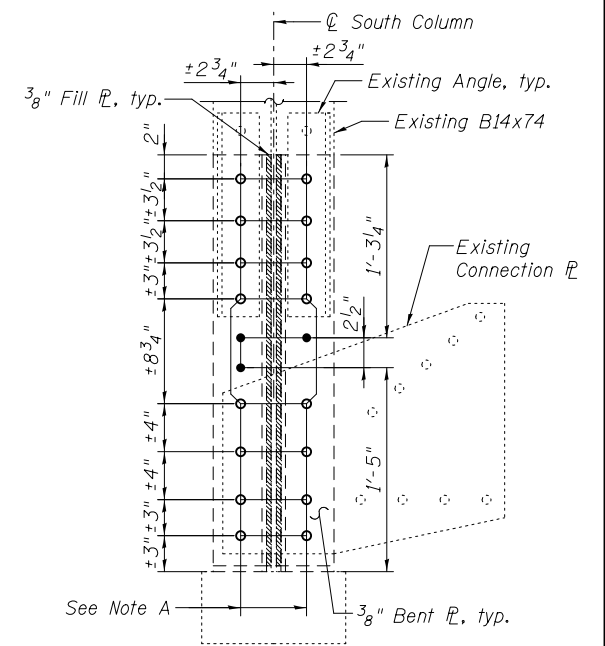
VIEW C-C



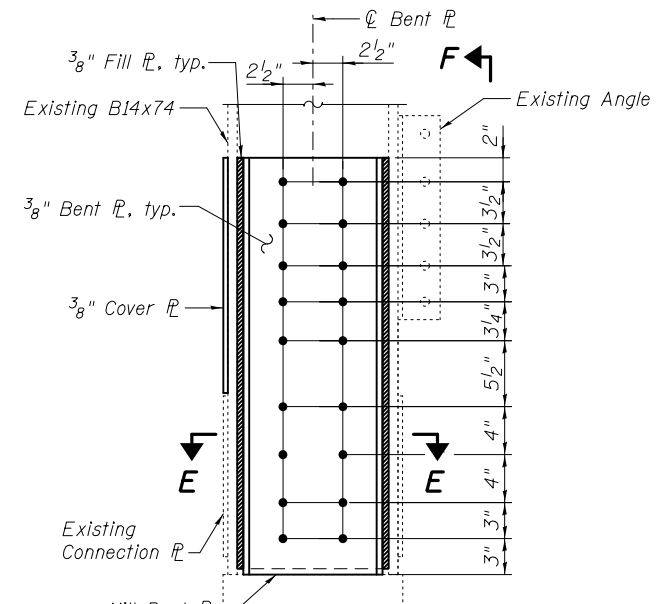
SECTION E-E



DETAIL 5



VIEW F-F



VIEW D-D

Note A:
Field drill holes using existing holes as template.
Remainder of holes may be shop or field drilled.

Notes:
All bolted connections shown on this sheet shall be made with 3/4" dia. H.S. bolts.
For location Details 4, 5 and the Bill of Material, see sheet 119.



USER NAME =	DESIGNED - ZJB	REVISED
PLOT SCALE =	CHECKED - YSS	REVISED
PLOT DATE = 03/20/2014	DRAWN - AEC	REVISED
	CHECKED - ZJB	REVISED

STATE OF ILLINOIS
DEPARTMENT OF TRANSPORTATION

ILLINOIS APPROACH BENT 27 REPAIRS - 2
S.N. 082-6001 MLK BRIDGE OVER MISSISSIPPI RIVER

SHEET NO. S120 OF S138 SHEETS

F.A.P. RTE.	SECTION	COUNTY	TOTAL SHEETS	SHEET NO.
799	IBR, DRS-2	ST. CLAIR	156	138
CONTRACT NO. 76B03				

ILLINOIS FED. AID PROJECT