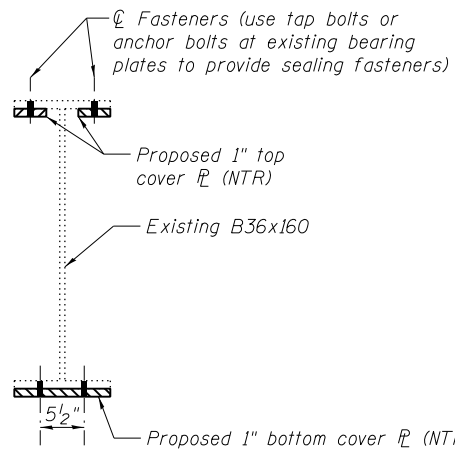
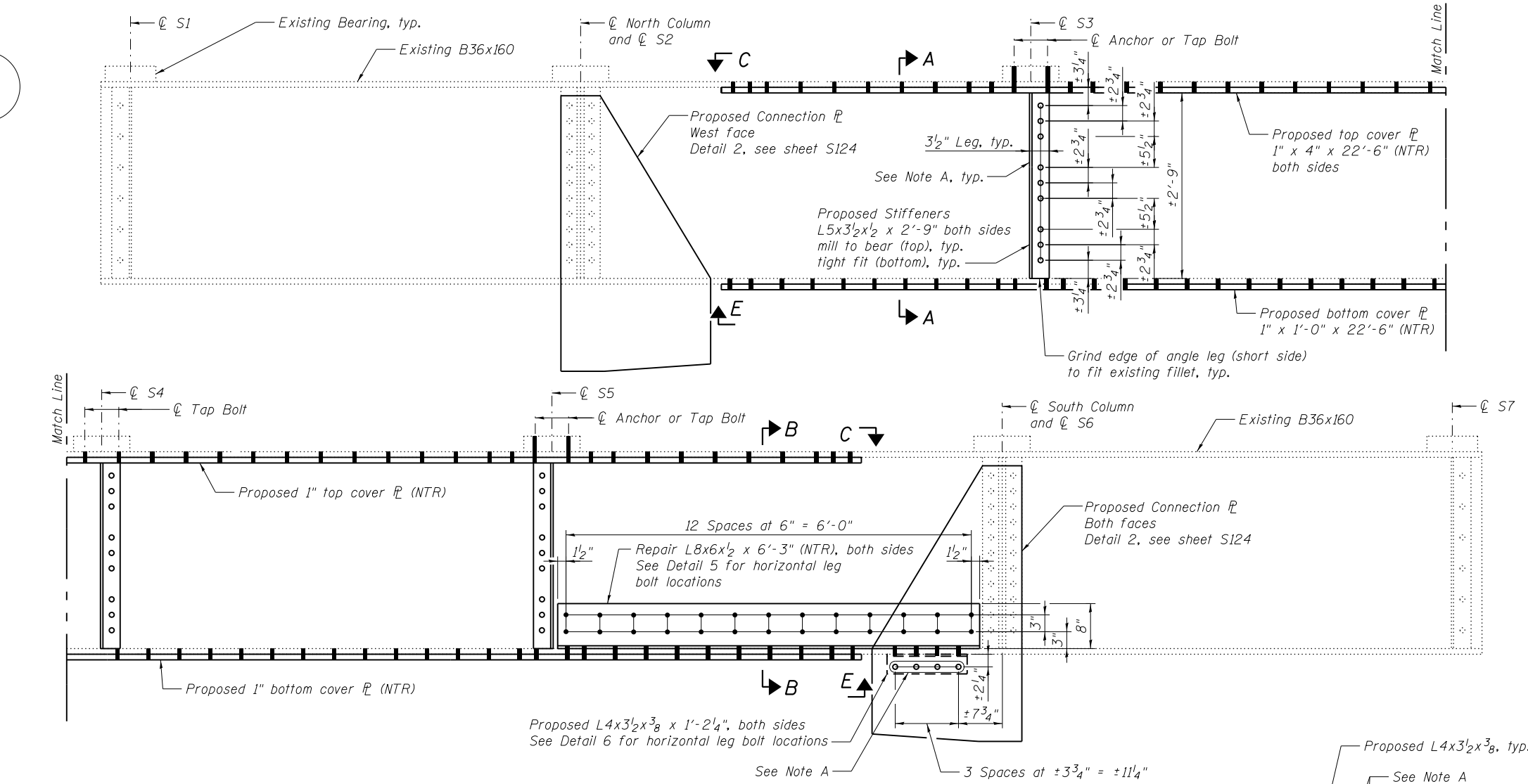


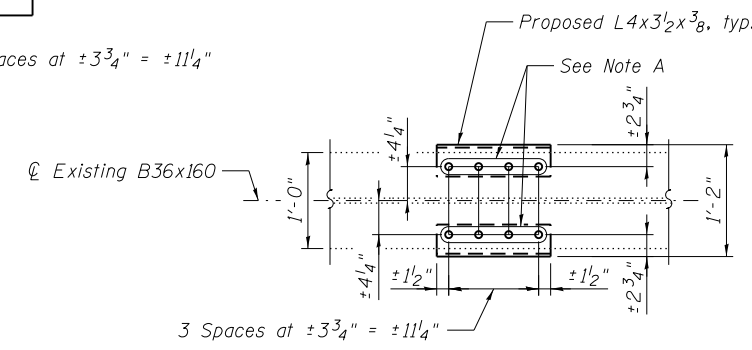
**BENT 28**  
(Looking East)



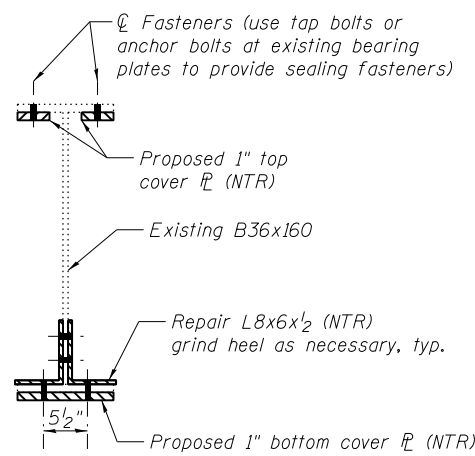
**SECTION A-A**



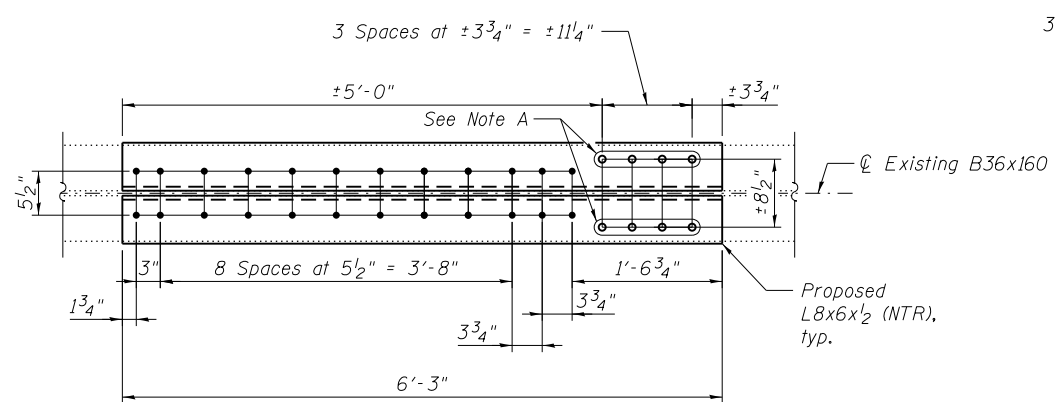
**DETAIL 1**



**DETAIL 6**  
(Connecting plates not shown for clarity)



**SECTION B-B**



**DETAIL 5**

**BILL OF MATERIAL**

Item	Unit	Total
Structural Steel Repair	Pound	3,280

Notes:  
All bolted connections shown on this sheet shall be made with 3/4" dia. H.S. bolts.  
Load carrying components designated "NTR" shall conform to the Impact Testing Requirement, Zone 2.  
For View C-C and View E-E details, see sheet S124.



USER NAME =	DESIGNED - YSS	REVISED
	CHECKED - ZJB	REVISED
PLOT SCALE =	DRAWN - AEC	REVISED
PLOT DATE = 05/02/2014	CHECKED - YSS	REVISED

STATE OF ILLINOIS  
DEPARTMENT OF TRANSPORTATION

ILLINOIS APPROACH BENT 28 REPAIRS - 1  
S.N. 082-6001 MLK BRIDGE OVER MISSISSIPPI RIVER

SHEET NO. S121 OF S138 SHEETS

F.A.P. RTE.	SECTION	COUNTY	TOTAL SHEETS	SHEET NO.
799	IBR, DRS-2	ST. CLAIR	156	139
CONTRACT NO. 76B03				
ILLINOIS FED. AID PROJECT				