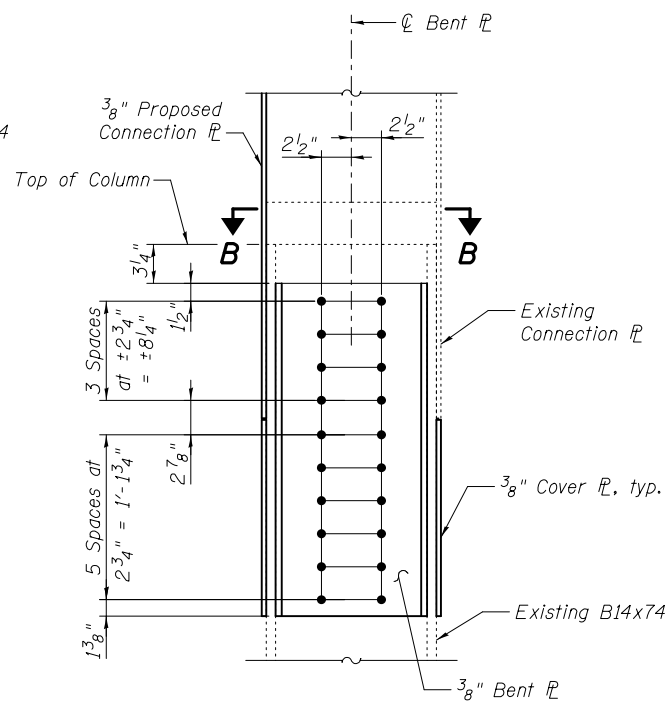
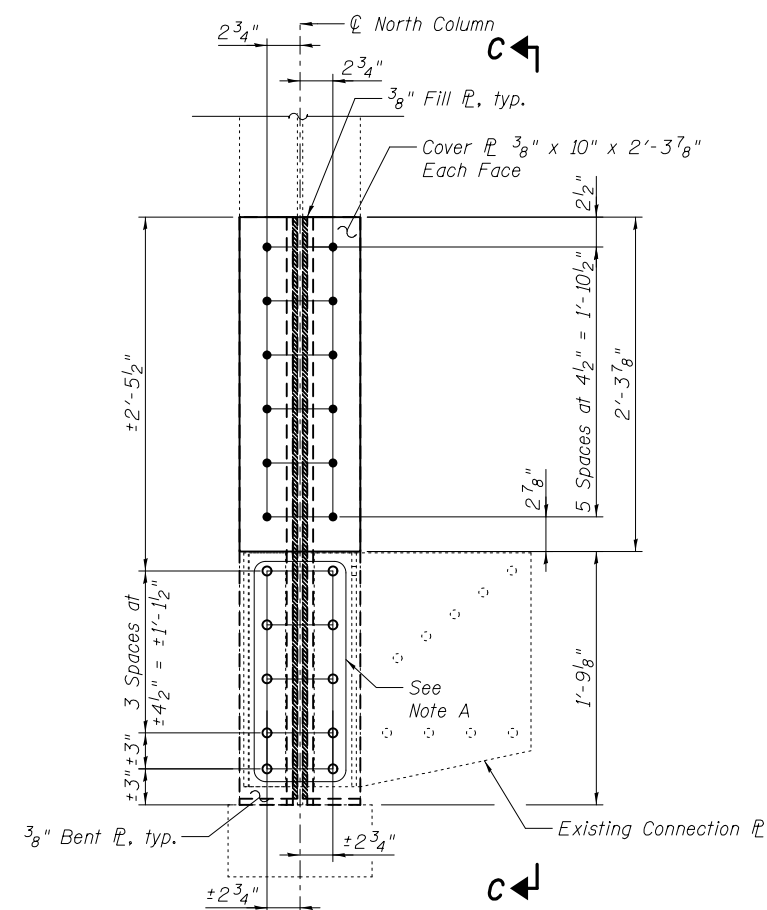


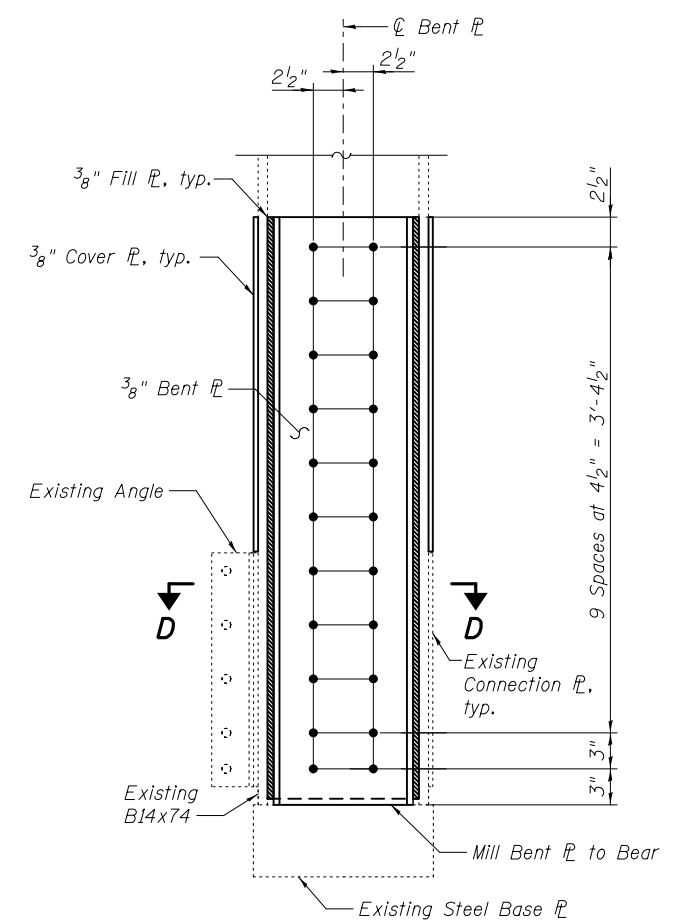
**DETAIL 3**



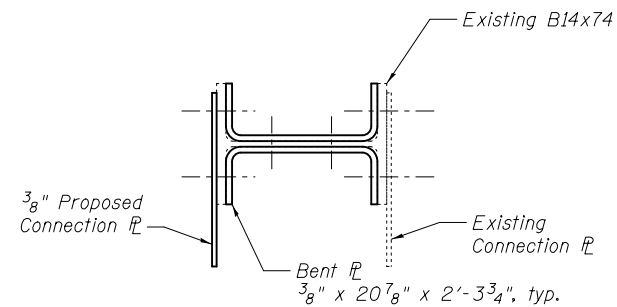
**VIEW A-A**



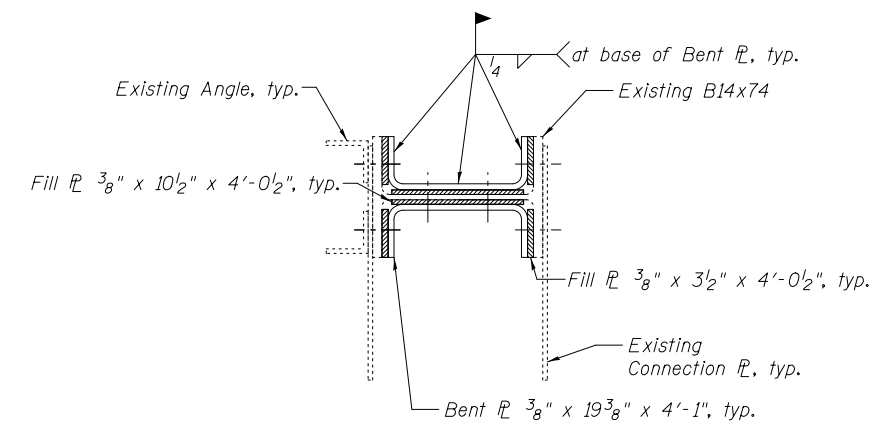
**DETAIL 4**



**VIEW C-C**



**SECTION B-B**



**SECTION D-D**

Note A:  
Field drill holes using existing holes as template.  
Remainder of holes may be shop or field drilled.

Notes:  
All bolted connections shown on this sheet shall be made with 3/4 inch dia. H.S. bolts.  
For location of Detail 3, Detail 4 and Bill of Material see sheet 121.



USER NAME =	DESIGNED - ZJB	REVISED
	CHECKED - YSS	REVISED
PLOT SCALE =	DRAWN - AEC	REVISED
PLOT DATE = 03/20/2014	CHECKED - ZJB	REVISED

STATE OF ILLINOIS  
DEPARTMENT OF TRANSPORTATION

ILLINOIS APPROACH BENT 28 REPAIRS - 2  
S.N. 082-6001 MLK BRIDGE OVER MISSISSIPPI RIVER

SHEET NO. S122 OF S138 SHEETS

F.A.P. RTE.	SECTION	COUNTY	TOTAL SHEETS	SHEET NO.
799	IBR, DRS-2	ST. CLAIR	156	140
CONTRACT NO. 76B03				

ILLINOIS FED. AID PROJECT