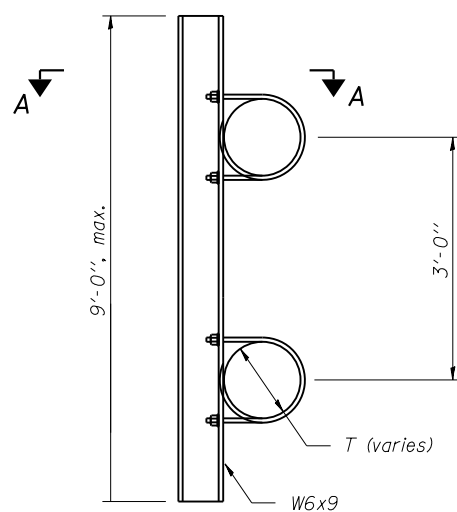


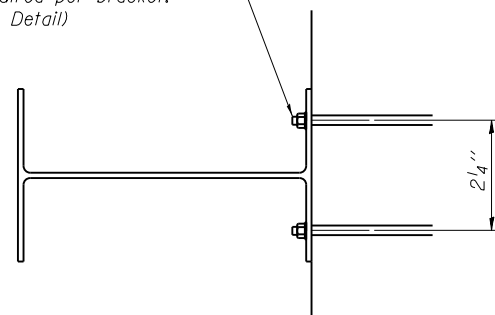
The Contractor shall verify the span length (center to center of poles), pole heights and top elevation of foundations prior to ordering materials.

ELEVATION
Looking up station for structures with signs both sides.

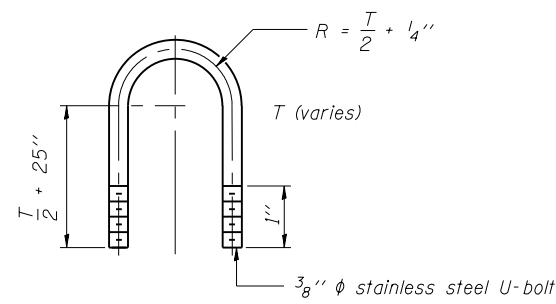


SIGN MOUNTING BRACKET

3/8" φ stainless steel U-bolt
(Provide 2 stainless steel washers and 2 hex locknuts per bolt.)
2 bolts required per bracket.
(See U-Bolt Detail)



SECTION A-A
6'-0" maximum spacing.
2'-0" maximum sign overhang beyond end bracket.



U-BOLT DETAIL
(Typical)

GENERAL NOTES

DESIGN: Current (at time of letting) AASHTO Standard Specifications for Structural Supports for Highway Signs, Luminaires and Traffic Signals (Fatigue Category II - natural wind gust only).

CONSTRUCTION: Current (at time of letting) Illinois Department of Transportation Standard Specifications for Road and Bridge Construction, Supplemental Specifications and Recurring Special Provisions. ("Standard Specifications") All references to "Mast Arm Assembly and Pole" are applicable, unless otherwise noted.

WELDING: All welds to be continuous unless otherwise shown. All welding to be done in accordance with current AWS D1.1 Structural Welding Code and the Standard Specifications.

ANCHOR RODS: Shall conform to ASTM F1554 Grade 105. No welding shall be permitted on rods.

FASTENERS: All connection bolts shall be High Strength Bolts M164, Galvanize M232 (A153), Type 3, or stainless steel heavy hex conforming to ASTM A193, Grade B8 or B8M, Class 1. U-bolts shall be produced from ASTM A276 Type 304, 304L, 316 or 316L, Condition A, cold finished, or an equivalent material acceptable to the Engineer. Nuts for stainless steel bolts shall be stainless steel conforming to ASTM A194, Grade 8 (AISI Type 304) or Grade 8F (AISI Type 303). All nuts shall be "locknuts" with nylon or steel inserts and semifinished hexagonal heads equivalent to the finished heavy hex series of the American National Standard. Washers for stainless steel bolts shall be stainless steel conforming to ASTM A240, Type 302 or 304.

REINFORCEMENT BARS: Reinforcement Bars designated (E) shall be epoxy coated in accordance with the Standard Specifications.

CAMBER: Minimum AASHTO camber = $L / 1000 + \text{dead load camber}$

SIGN STRUCTURE DATA TABLE

Structure Number	Station	℄ to ℄ Poles	Elevation A	Dimension D	Actual Sign/Signal Area
8M082NML KRO00.0	35+04.26	44'-6 3/4"	469.58	2'-3 3/8"	81

BILL OF MATERIAL

ITEM	UNIT	TOTAL
OVERHEAD SIGN STRUCTURE MONOTUBE DUAL	Foot	45