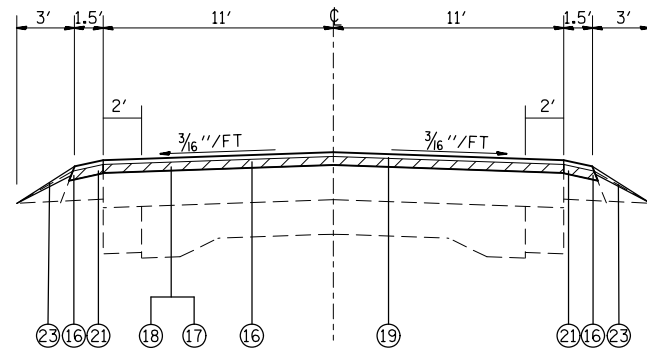


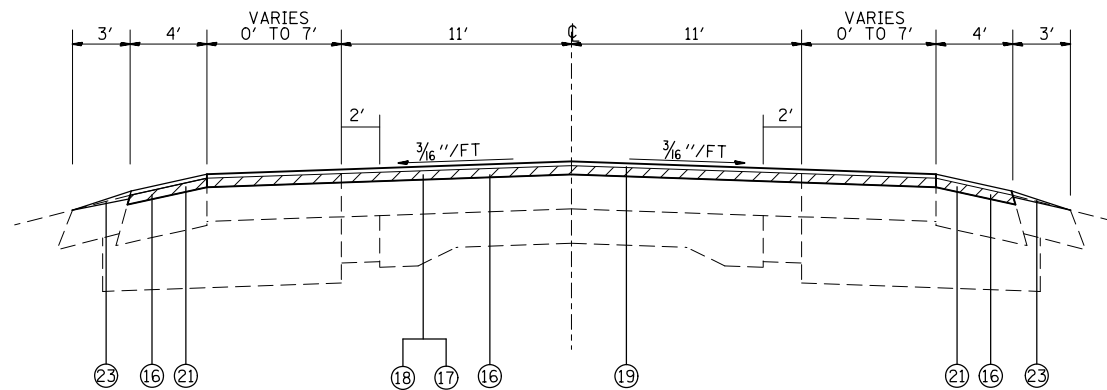
**PROPOSED TYPICAL SECTION**  
STA. 484+00 TO STA. 502+54



**PROPOSED TYPICAL SECTION**  
STA. 502+54 TO STA. 546+05    STA. 557+06 TO STA. 599+76  
STA. 600+95 TO STA. 622+65    STA. 626+55 TO STA. 682+25  
STA. 707+25 TO STA. 834+00

NOTE: PROPOSED HMA SURFACE REMOVAL (2-1/4") AND  
PROPOSED HMA SURFACE COURSE (2-1/4") THRU THE AREAS WITH  
CONCRETE GUTTERS AT THE FOLLOWING STATIONS:

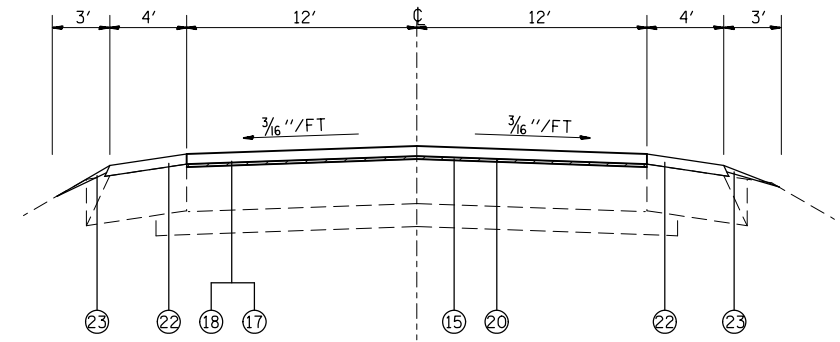
RIGHT - STA. 584+00 TO STA. 589+00    STA. 711+20 TO STA. 715+00  
LEFT - STA. 584+00 TO STA. 593+67    STA. 644+20 TO 646+70  
          STA. 711+20 TO STA. 715+20



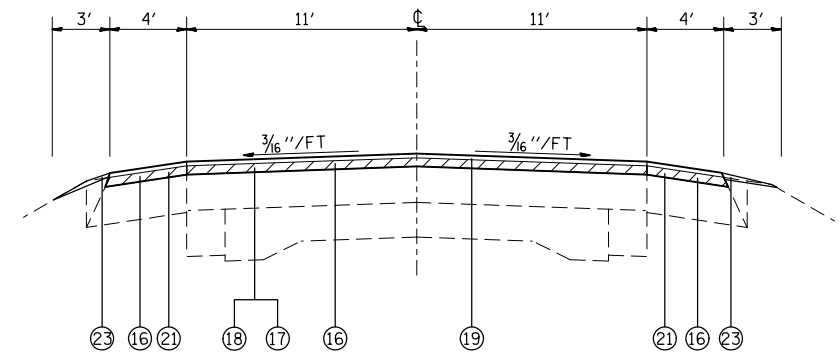
**PROPOSED TYPICAL SECTION**  
STA. 546+05 TO STA. 557+06

**LEGEND**

- 1 EXISTING PCC PAVEMENT, 18' WIDE (9"-6"-9")
- 2 EXISTING PCC PAVEMENT (8-1/4")
- 3 EXISTING HMA OVERLAY (7-1/4" TO 7-3/4")
- 4 EXISTING PCC WIDENING (8" THICK, 2' WIDE)
- 5 EXISTING HMA FULL-DEPTH WIDENING (13-1/2")
- 6 EXISTING BITUMINOUS BASE COURSE SUPERPAVE (11-1/2")
- 7 EXISTING BASE COURSE (12")
- 8 EXISTING BASE COURSE (11-1/2")
- 9 EXISTING BASE COURSE (4")
- 10 EXISTING BITUMINOUS SHOULDER (8")
- 11 EXISTING BITUMINOUS SHOULDER (6")
- 12 EXISTING AGGREGATE SHOULDERS, TYPE A (8")
- 13 EXISTING AGGREGATE SHOULDERS, TYPE A (6")
- 14 EXISTING AGGREGATE SHOULDER WEDGE
- 15 PROPOSED PCC SURFACE REMOVAL (1/2")
- 16 PROPOSED HMA SURFACE REMOVAL (1-1/2")
- 17 PROPOSED BITUMINOUS MATERIAL (PRIME COAT )
- 18 PROPOSED AGGREGATE (PRIME COAT)
- 19 PROPOSED HMA SURFACE COURSE (2-1/4")
- 20 PROPOSED HMA SURFACE COURSE (2-1/2")
- 21 PROPOSED HMA SHOULDERS (2-1/4")
- 22 PROPOSED HMA SHOULDERS (2-1/2")
- 23 PROPOSED AGGREGATE SHOULDER WEDGE



**PROPOSED TYPICAL SECTION**  
STA. 682+25 TO STA. 686+11  
STA. 686+69 TO STA. 696+58  
STA. 697+32 TO STA. 701+62



**PROPOSED TYPICAL SECTION**  
STA. 701+62 TO STA. 707+25

FILE NAME =	USER NAME = burnsideem	DESIGNED -	REVISED -
et:\pw\work\p\dot\burnsideem\d0351326\d876g58-sht-plan.dgn		DRAWN -	REVISED -
	PLOT SCALE = 100.0000' / 1in.	CHECKED -	REVISED -
	PLOT DATE = 3/20/2014	DATE -	REVISED -

**STATE OF ILLINOIS  
DEPARTMENT OF TRANSPORTATION**

**TYPICAL SECTIONS**

SCALE: SHEET NO. OF SHEETS STA. TO STA.

F.A.P. RTE.	SECTION	COUNTY	TOTAL SHEETS	SHEET NO.
785	(133,134,135)RS-4	MADISON	28	7
CONTRACT NO. 76G58				
FED. ROAD DIST. NO. ILLINOIS FED. AID PROJECT				