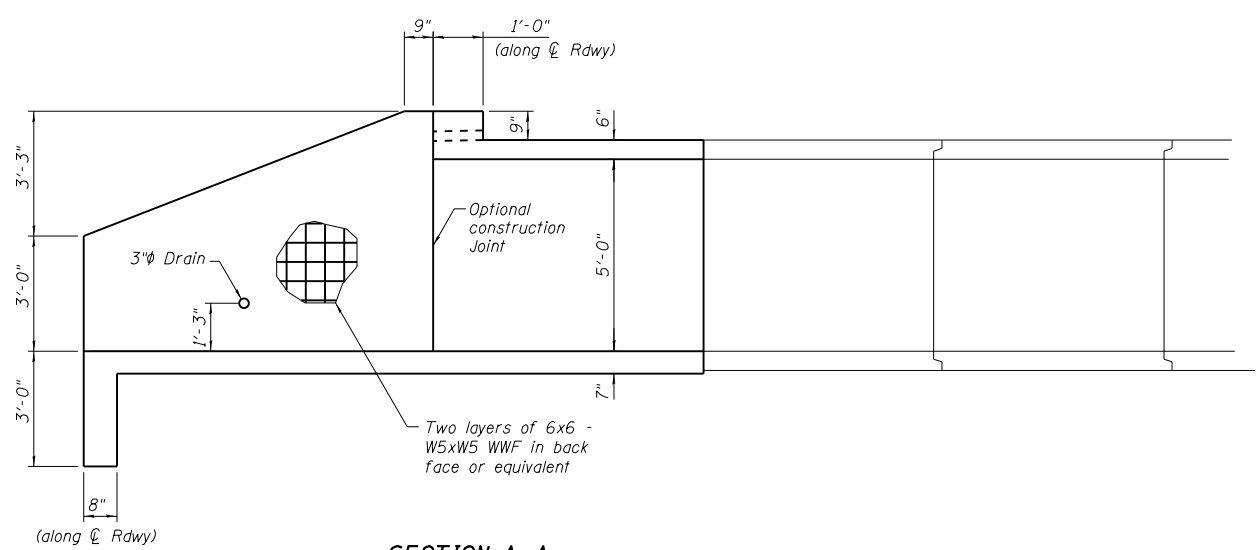
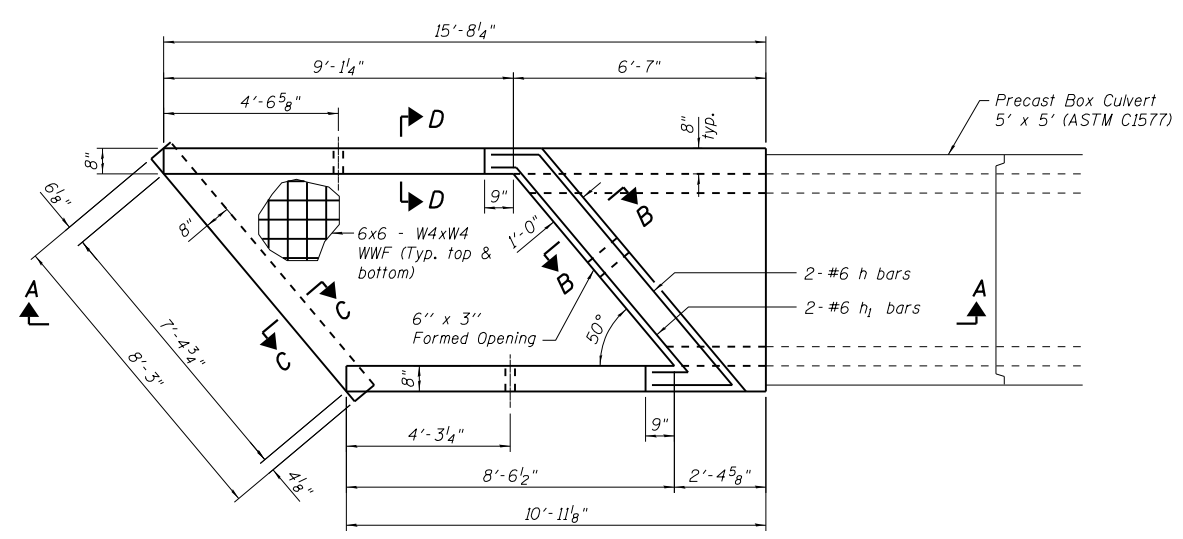


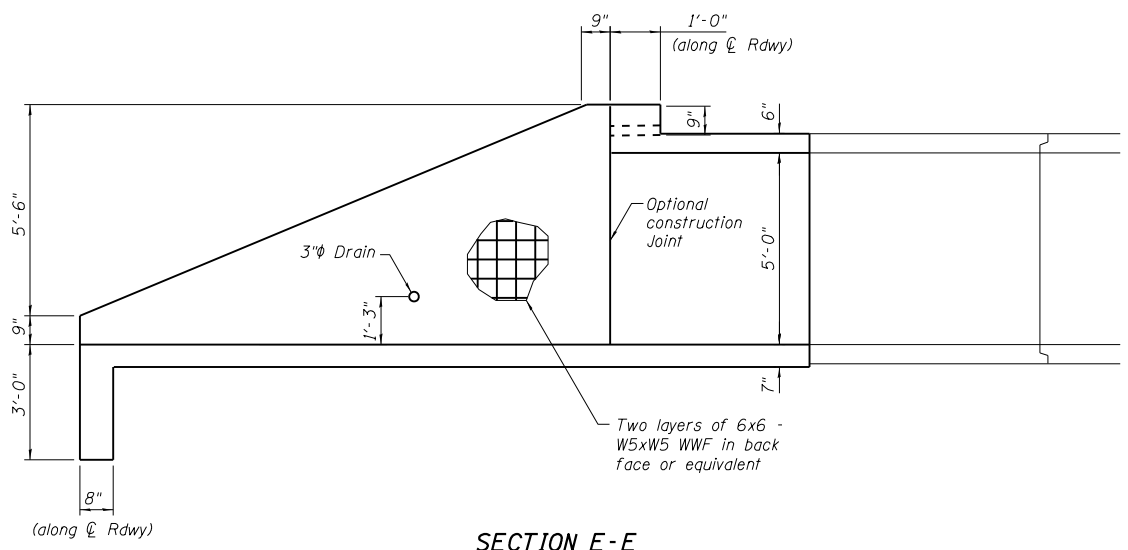
PLAN - UPSTREAM END



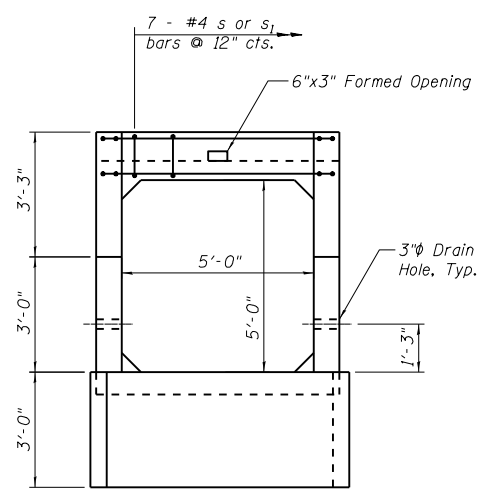
SECTION A-A



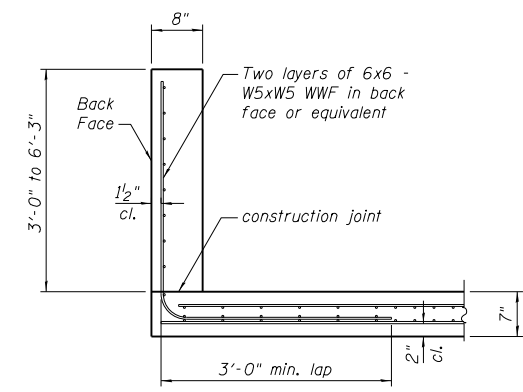
PLAN - DOWNSTREAM END



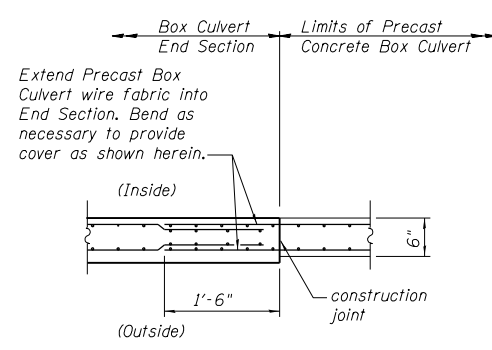
SECTION E-E



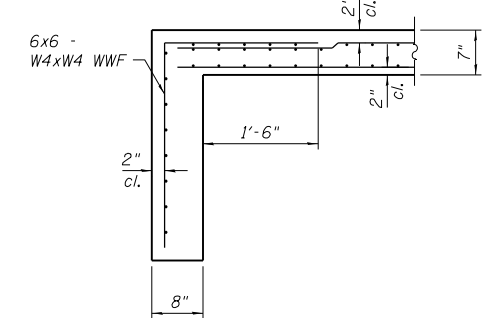
END VIEW



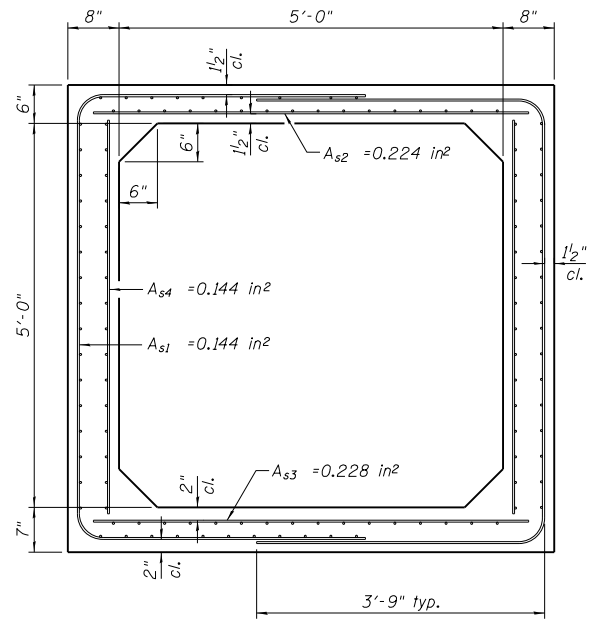
SECTION D-D



CAST-IN-PLACE TO PRECAST JOINT



SECTION C-C



SECTION THRU END SECTION BARREL

X:\CH\1\2011\11064-17\CAD\Plans\060-2490\_Culvert.dgn



USER NAME =	DESIGNED -	REVISED -
PLOT SCALE =	CHECKED -	REVISED -
PLOT DATE =	DRAWN -	REVISED -
	CHECKED -	REVISED -

STATE OF ILLINOIS  
DEPARTMENT OF TRANSPORTATION

BOX CULVERT END SECTION DETAILS  
STA. 734 + 80.00 CULVERT REPLACEMENT - S.N. 060-2490

SHEET NO. 3 OF 8 SHEETS

F.A.P. RTE.	SECTION	COUNTY	TOTAL SHEETS	SHEET NO.
785	(133,134,135)RS-4	MADISON	28	23
CONTRACT NO. 76C58				

ILLINOIS FED. AID PROJECT