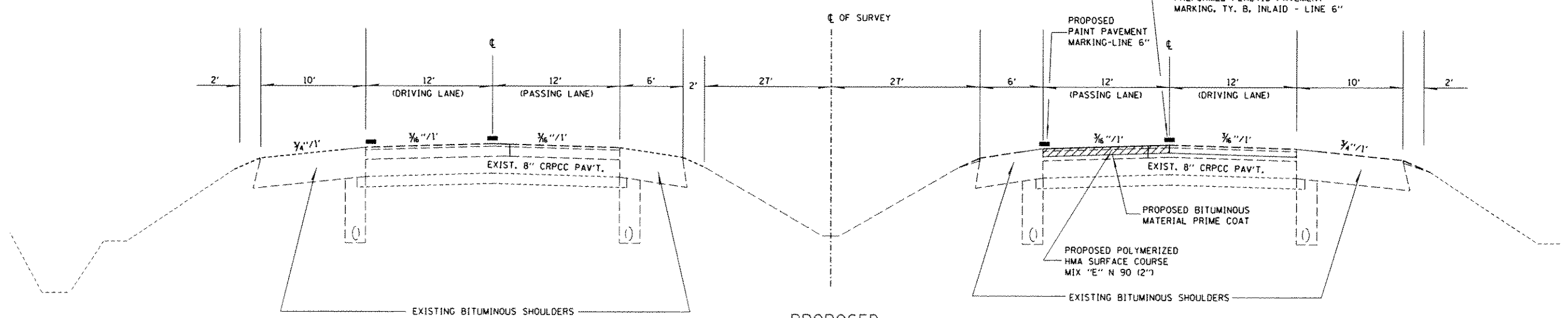


EXISTING
TYPICAL TANGENT SECTION FAI ROUTE 57

SOUTHBOUND
STATION 1373+06 TO STATION 1765+88
STATION 1767+94 TO STATION 1873+88

NORTHBOUND
STATION 1373+06 TO STATION 1765+71
STATION 1767+78 TO STATION 1873+88

— PAINT PAVEMENT
MARKING-LINE 4"



PROPOSED
TYPICAL TANGENT SECTION FAI ROUTE 57

SOUTHBOUND
STATION 1373+06 TO STATION 1765+88
STATION 1767+94 TO STATION 1873+88

NORTHBOUND
STATION 1373+06 TO STATION 1765+71
STATION 1767+78 TO STATION 1873+88

HMA SURFACE REMOVAL 2"

FILE NAME :	USER NAME : DEFAULT	DESIGNED -	REVISED -	STATE OF ILLINOIS DEPARTMENT OF TRANSPORTATION	TYPICAL SECTIONS			F.A.I. RTE.	SECTION	COUNTY	TOTAL SHEETS	SHEET NO.
23\p\work\pav\dot\murray\gld\0373195\ub97	eg92-shs\plan.dgn	DRAWN -	REVISED -					57	61-11.21RS-4	MARION	5	4
	PLOT SCALE : 1/8"=1'-0"	CHECKED -	REVISED -		SCALE: _____ SHEET NO. _____ OF _____ SHEETS STA. _____ TO STA. _____			CONTRACT 76C92				
	PLOT DATE : 3/17/2014	DATE -	REVISED -		FED. ROAD DIST. NO. _____ ILLINOIS FED. AID PROJECT							