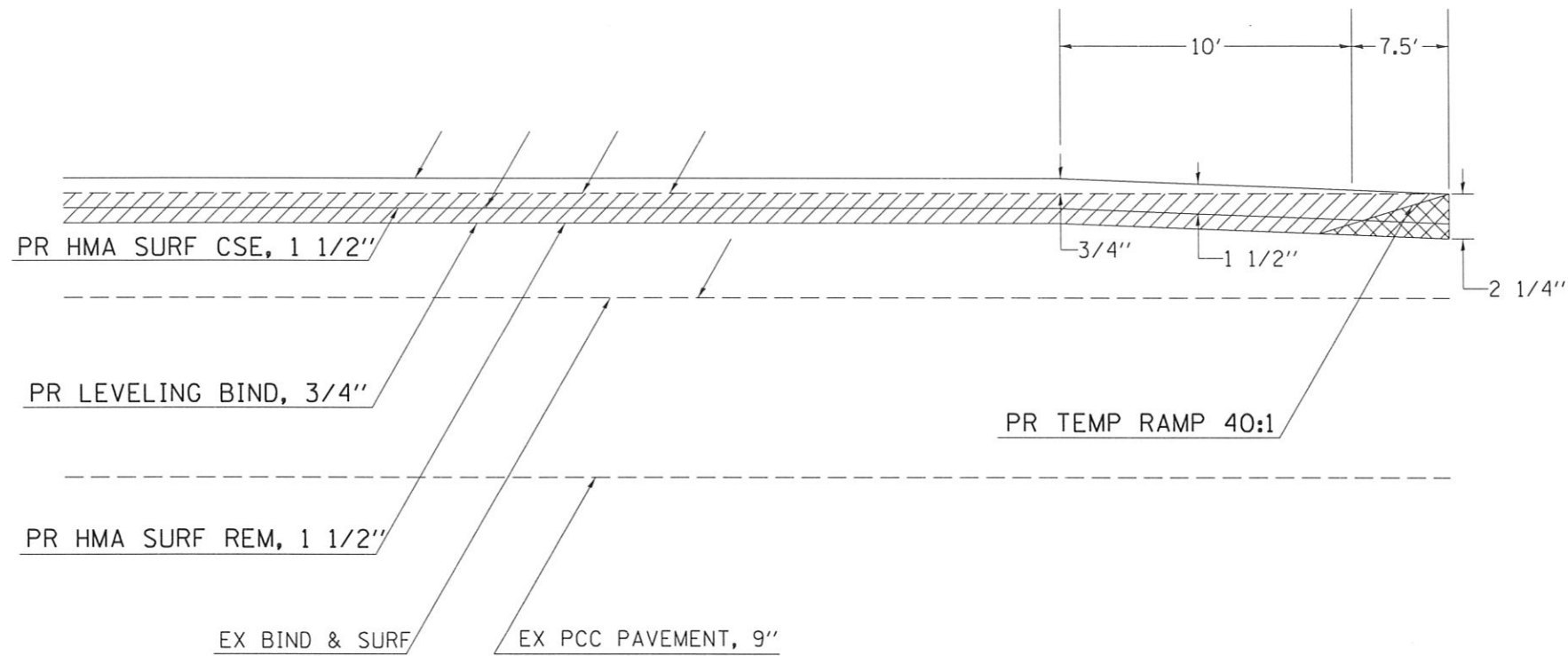
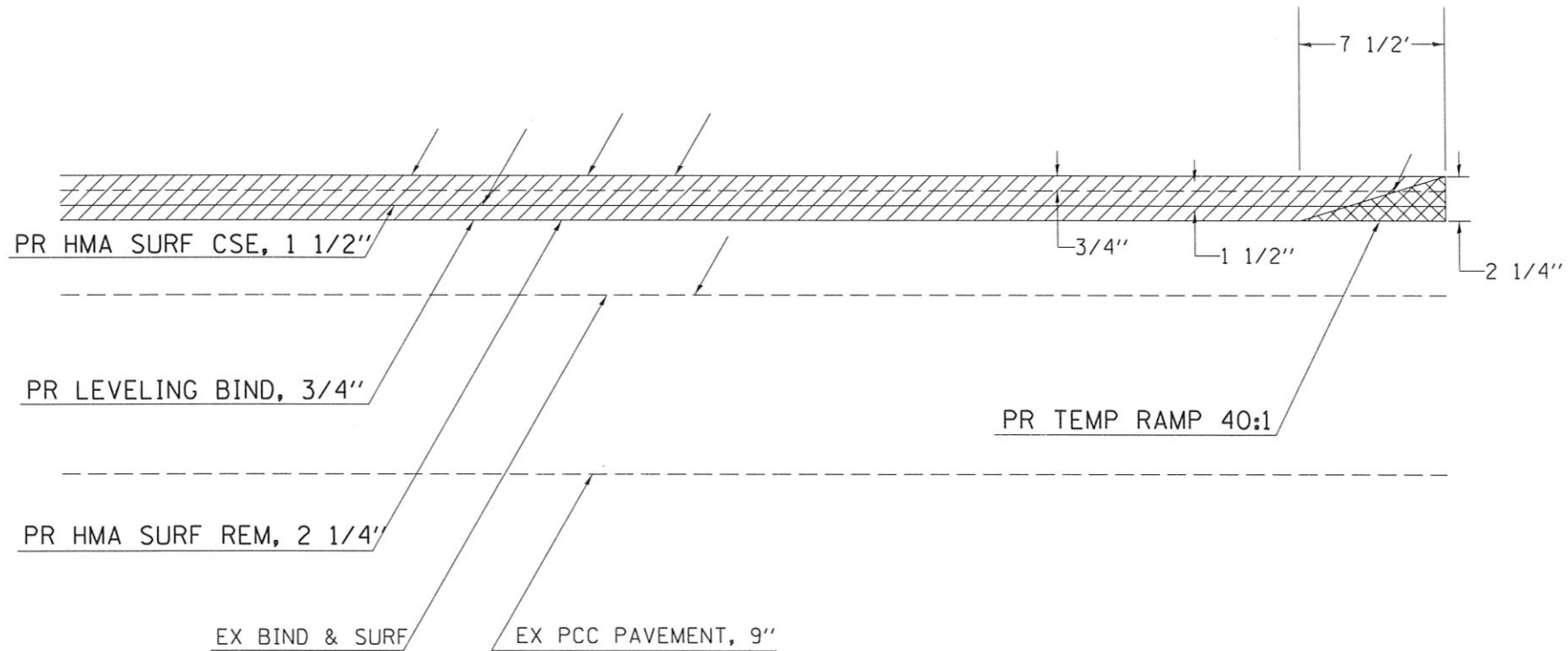


BUTT JOINT DETAIL



TO BE USED:
 STA 66+57 BEGINNING OF PROJECT
 SN 028-0044 STA 125+35 WEST ABUT; STA 126+25 EAST ABUT
 SN 028-0045 STA 136+60 WEST ABUT; STA 137+50 EAST ABUT
 STA 157+40 END OF PROJECT

TEMPORARY RAMP DETAIL



TO BE USED:
 SN 028-0043 STA 112+83 WEST ABUT; STA 115+05 EAST ABUT

FILE NAME =	USER NAME = Stoverpg	DESIGNED - _____	REVISED - _____	STATE OF ILLINOIS DEPARTMENT OF TRANSPORTATION	DETAILS: TEMPORARY RAMP AND BUTT JOINT	F.A.P. RTE. 869	SECTION 101RS-6	COUNTY FRANKLIN	TOTAL SHEETS 13	SHEET NO. 11		
Default	Plot Scale = 5000.0000' / in.	CHECKED - _____	REVISED - _____			SCALE: _____ SHEET _____ OF _____ SHEETS	STA. _____ TO STA. _____	ILLINOIS FED. AID PROJECT				
	PLOT DATE = 3/21/2014	DATE - _____	REVISED - _____			CONTRACT NO. 78388						