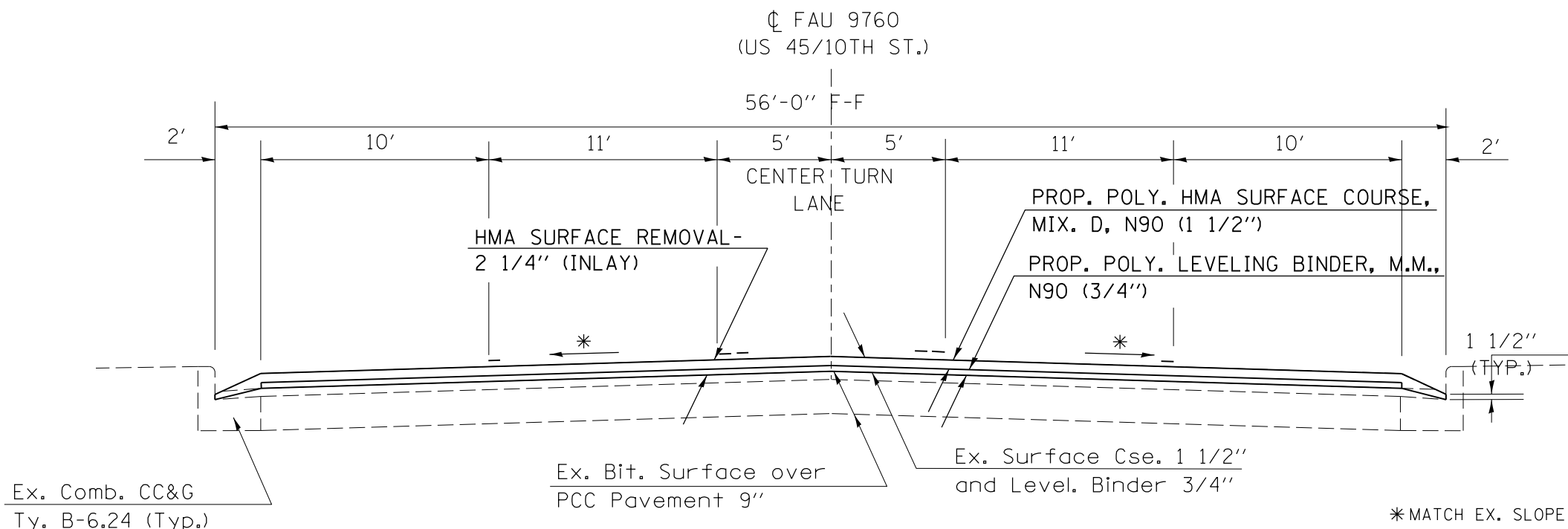
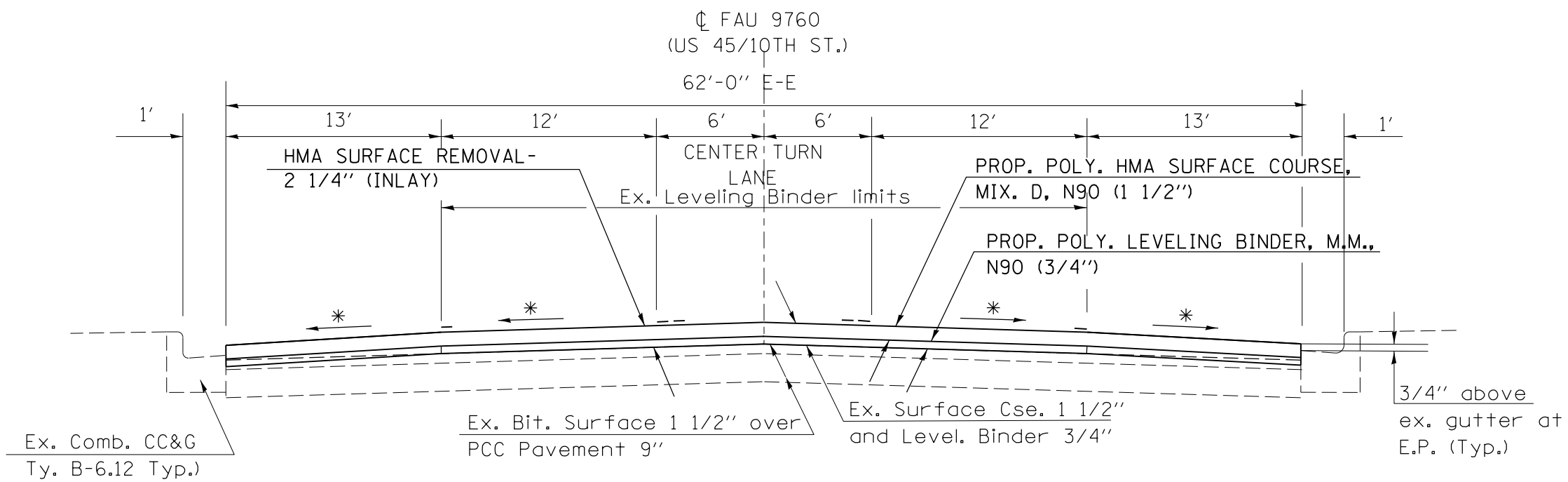


TYPICAL SECTION #3



TO BE USED:
 RT. STA. 1085+18 TO RT. STA. 1098+72
 LT. STA. 1084+05 TO LT. STA. 1098+72

TYPICAL SECTION #4



TO BE USED:
 LT. & RT. STA. 1098+72 TO STA. 1105+20

FILE NAME =	USER NAME = mccordkr	DESIGNED -	REVISED -	STATE OF ILLINOIS DEPARTMENT OF TRANSPORTATION	TYPICAL SECTIONS #3 & #4			F.A. RTE.	SECTION	COUNTY	TOTAL SHEETS	SHEET NO.
ct:\pw\work\p1dot\mccordkr\10381606\78404-sh1-plan.dgn	DRAWN -	REVISED -						41RS-7	Massac	29	9	
PLOT SCALE = 100.0000' / in.	CHECKED -	REVISED -			CONTRACT NO. 78404			ILLINOIS FED. AID PROJECT				
PLOT DATE = 3/19/2014	DATE -	REVISED -			SCALE:	SHEET NO.	OF SHEETS	STA.	TO STA.			

• FAU 9760 (US 45)