

MOMENT TABLE

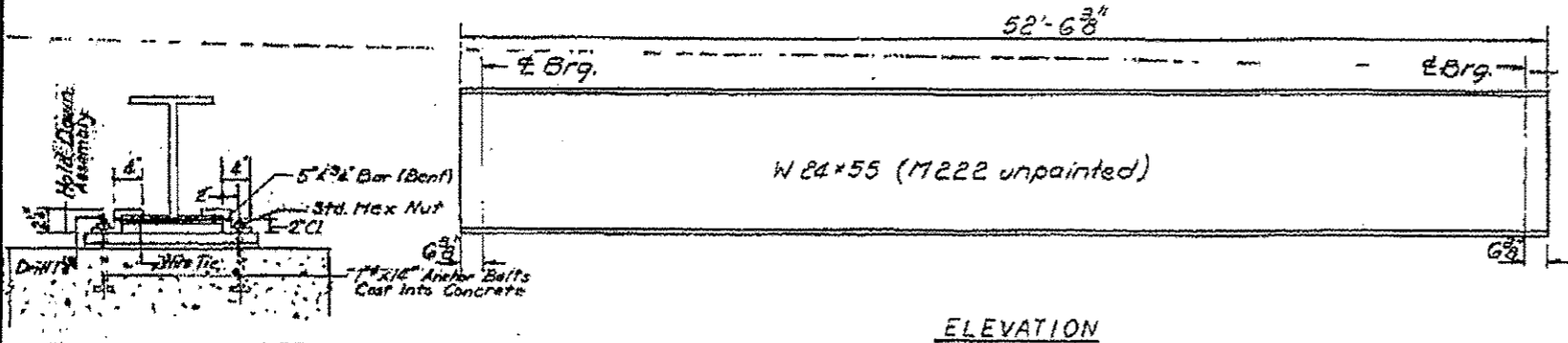
	4 Span 1 or 6 Span 2	Pier
I (in ⁴)	1340	1340
S (in ³)	114	114
ϕ (K)	1.18	1.18
$M \phi$ (1-K)	54.5	97.4
$M \phi$ (1-K)	142.2	126.8
IMP (1-K)	42.7	38.1
f_s	49.6	50.9

* Ultimate Stress in Girder
 $f_s = 1.3(f_s \phi + \frac{1}{2}(f_s \phi + 1 \text{ imp}))$

INTERIOR GIRDER REACTION TABLE

	Abut.	Pier
$R \phi$ (K)	114	97.8
$R \phi$ (K)	34.3	47.4
IMP (K)	10.8	14.2
R_{Total} (K)	56.0	99.4

Note 'A'
1/8" Holes - 1" deep
in top flange for 1/4" pintles
Thread or press fit
pintles in bottom flange

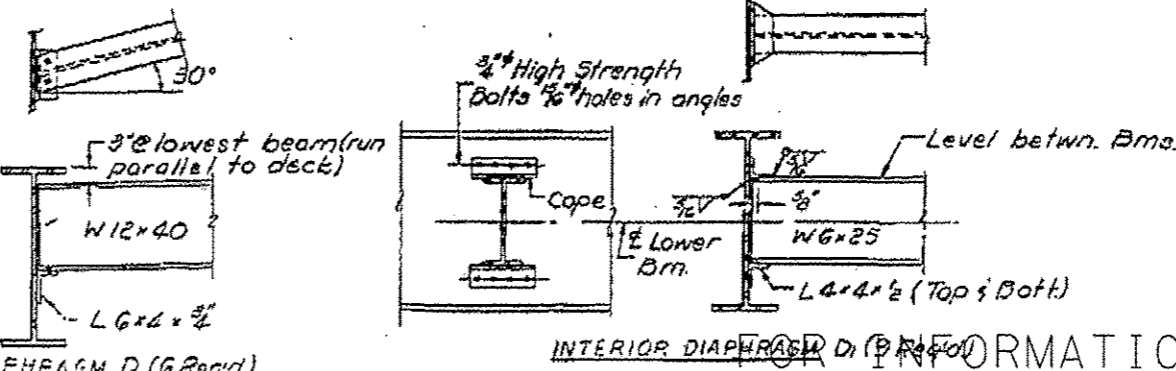
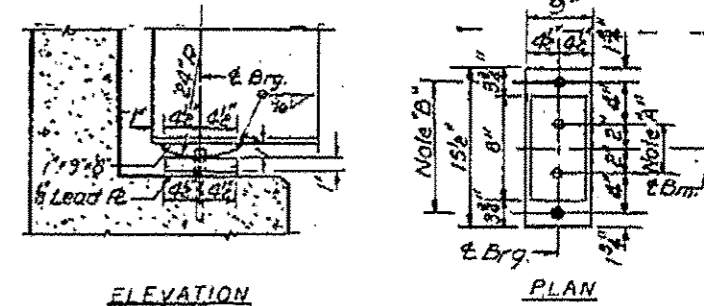
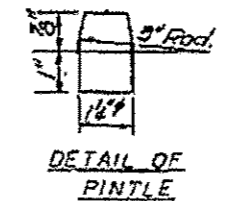


BEAM HOLD DOWN DETAIL
Notes:
Beams shall be held down at the Abutment on the opposite end of Bridge from which the deck pour is commenced. After pouring is completed the Hold Down Assembly shall be removed and Nuts placed on Anchor Bolts. Cast incidental to Class 'X' Concrete.
Note: Hardened washers shall be required over 5/16" holes in angles.

DESIGNED: [Signature]
CHECKED: R.S.M.
DRAWN: Mercado
CHECKED: R.S.M.

DATE: Feb 23 2014

Note 'B'
1/2" Holes for 1" Anchor Bolts - 2" x 2" x 1/4" R washers under nut.



STRUCTURAL STEEL
F.A. RT. 778 SEC. 3B-DP-2
HARDIN COUNTY
STA. 864+70.00

FILE NAME: c:\pwork\p1dot\dahmer-je\d0302426178	USER NAME: Dahmer-je	DESIGNED: [Signature]	REVISED: [Signature]	STATE OF ILLINOIS DEPARTMENT OF TRANSPORTATION	035-0006 IL 34 OVER HICKS BRANCH	F.A. RT. 778	SECTION 3B-DP-2	COUNTY HARDIN	TOTAL SHEETS 18	SHEET NO. 12
Default	PLOT SCALE: 2.7827 1/16"	CHECKED: R.S.M.	REVISED: [Signature]	SCALE:	SHEET OF SHEETS	VAR. 09 BRIDGE PAINT 2014-1	*	CONTRACT NO. 78418	ILLINOIS FED. AID PROJECT	