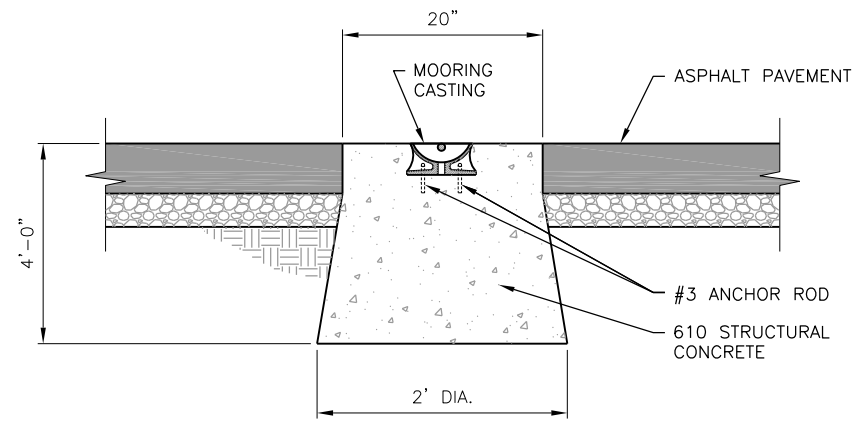


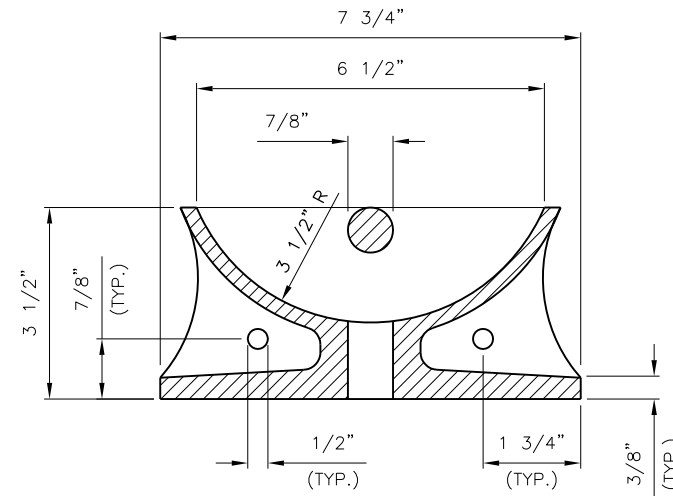
PO018

REVISIONS		
NUMBER	BY	DATE

0 1 2
 THIS BAR IS EQUAL TO 2"
 AT FULL SCALE (34X22).

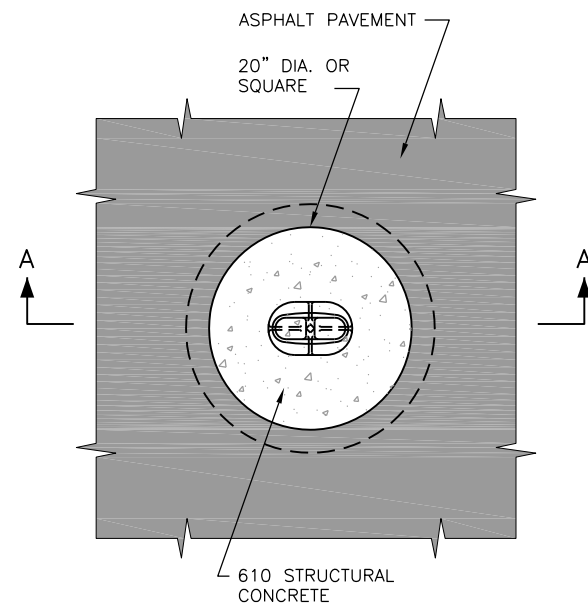


SECTION A-A



SECTION B-B

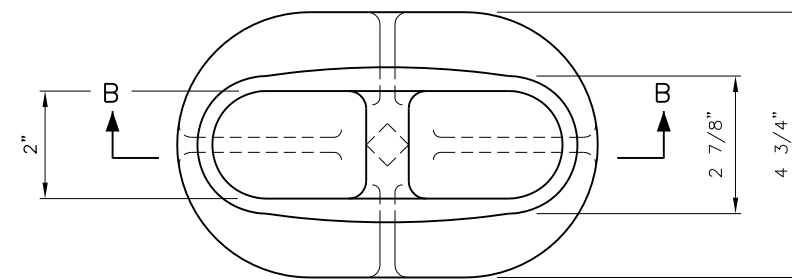
- MOORING NOTES**
1. MOORING CASTINGS SHALL BE NEENAH SEMI-STEEL AIRPORT MOORING EYE CATALOG NO. R3490 OR APPROVED EQUIVALENT.
 2. ANCHOR RODS SHALL BE #3 DEFORMED REBAR, 15" LONG AND SHALL BE BENT DOWNWARD AT 45 DEGREES.



PLAN

MOORING EYE IN PAVEMENT DETAILS

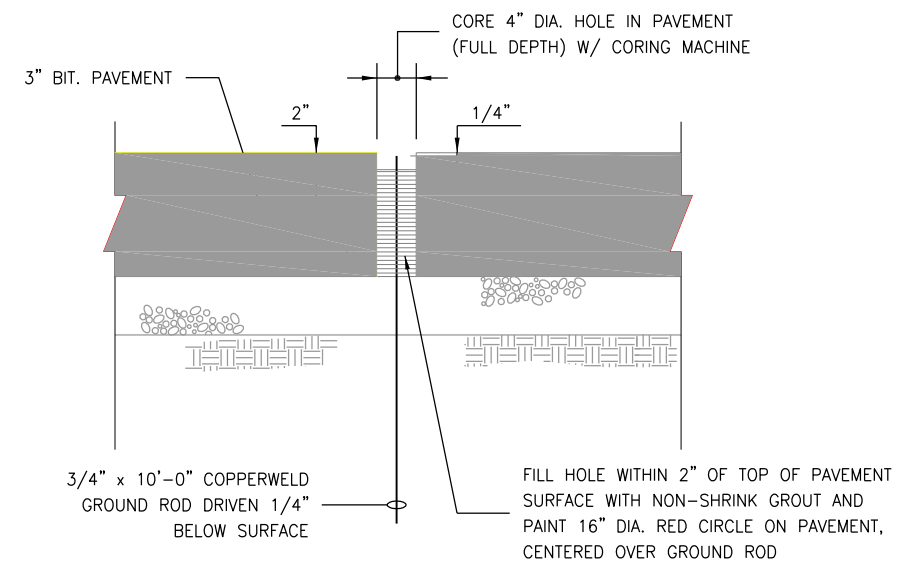
N.T.S.



PLAN

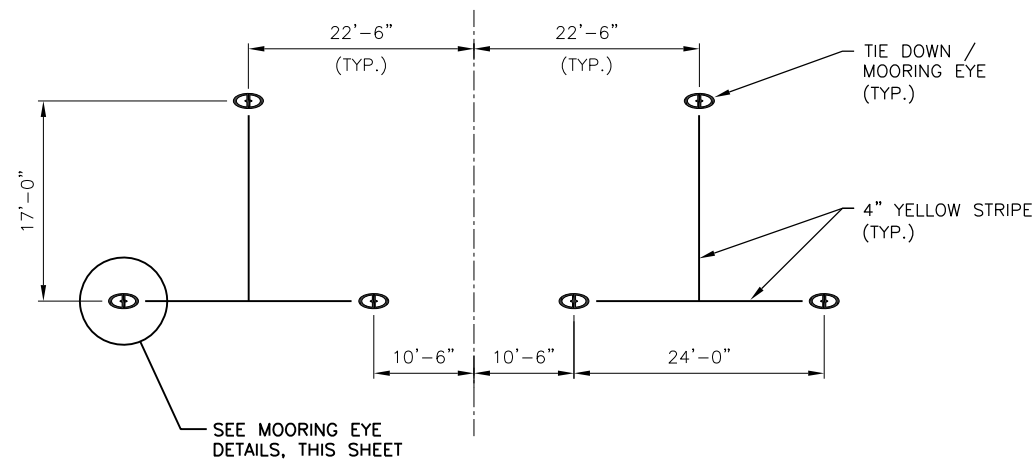
MOORING EYE DETAILS

N.T.S.



GROUND ROD DETAIL

NOT TO SCALE



TIE DOWN LAYOUT (TYP.)

N.T.S.

PONTIAC MUNICIPAL AIRPORT
PONTIAC, ILLINOIS
REHABILITATE APRON AND CONNECTING TAXIWAY
MOORING DETAIL

© Copyright CMT, Inc.
CMT
 CRAWFORD, MURPHY & TILLY, INC.
 CONSULTING ENGINEERS
 License No. 184-000613

DESIGN BY:	JEF
DRAWN BY:	JEF, ADD
CHECKED BY:	RJH
APPROVED BY:	JEF
DATE:	APRIL 18, 2014
JOB No:	1305402
IL PROJ. NO.	PNT-4142
AIP PROJ. NO.	3-17-SBGP-XX
SHEET	14 OF 17 SHEETS