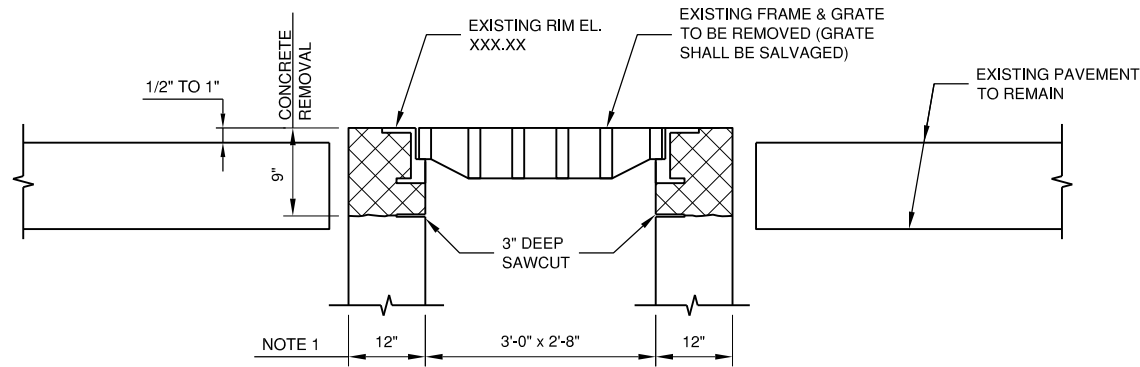
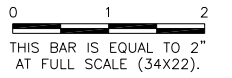
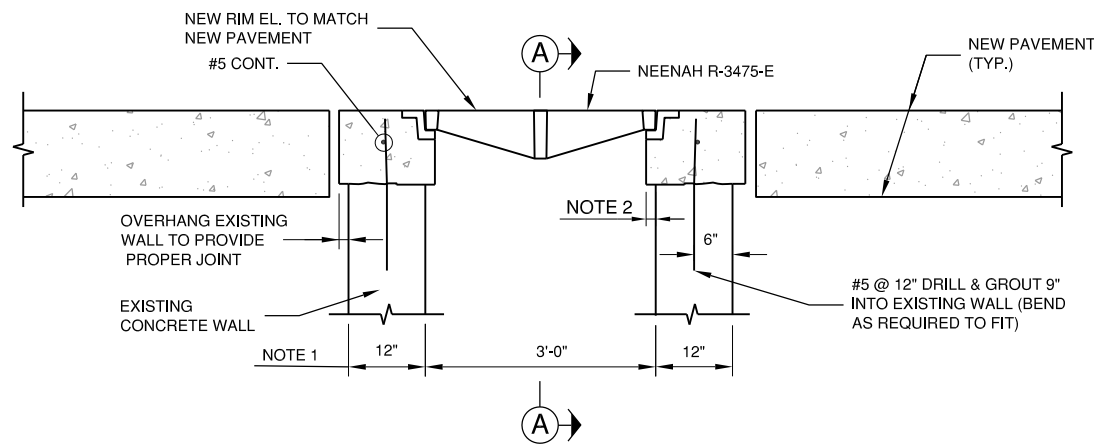


PO018

REVISIONS		
NUMBER	BY	DATE



REMOVAL

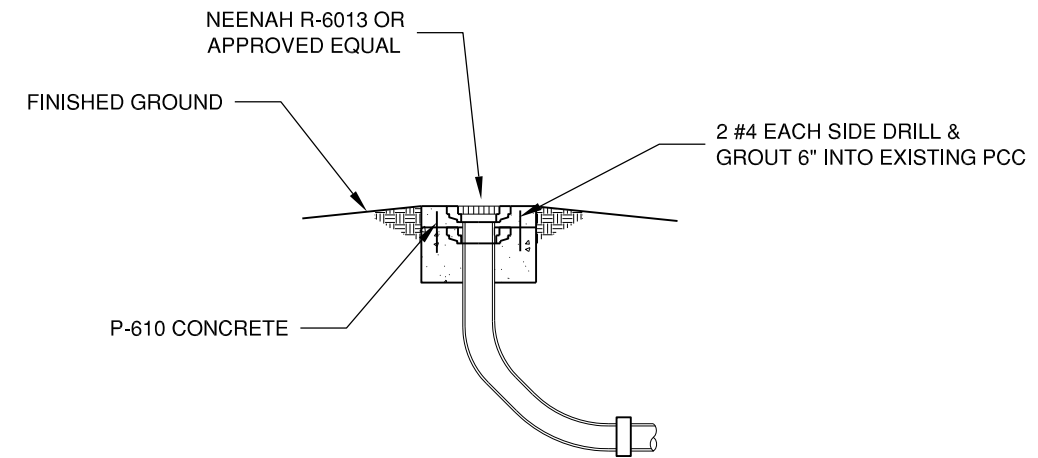


REPLACEMENT

NOTES

- EXISTING STRUCTURE DIMENSIONS ARE TAKEN FROM RECORD DRAWINGS. ALL DIMENSIONS SHALL BE MEASURED IN FIELD BY CONTRACTOR PRIOR TO SUBMITTING SHOP DRAWINGS.
- NEW CONCRETE WALL REPLACEMENT SHALL BE TAPERED OR OVERHANG EXISTING WALL TO ACCOMMODATE NEW GRATE FRAME.
- EXISTING CONCRETE SURFACES WHICH ARE TO RECEIVE NEW CONCRETE SHALL BE CLEANED PRIOR TO APPLYING BONDING AGENT.

INLET ADJUSTMENT ELEVATION		
	EXISTING ELEVATION	PROPOSED ELEVATION
(I-1)	653.49	653.73
(I-2)	653.46	653.70
(I-3)	653.60	653.84



**UNDERDRAIN
ADJUSTMENT
DETAIL**

**PONTIAC MUNICIPAL AIRPORT
PONTIAC, ILLINOIS
REHABILITATE APRON AND CONNECTING TAXIWAY
DRAINAGE DETAILS**

© Copyright CMT, Inc.
CMT
 CRAWFORD, MURPHY & TILLY, INC.
 CONSULTING ENGINEERS
 License No. 184-000613

DESIGN BY:	JEF
DRAWN BY:	JEF, ADD
CHECKED BY:	RJH
APPROVED BY:	JEF
DATE:	APRIL 18, 2014
JOB No:	1305402
IL PROJ. NO. PNT-4142 AIP PROJ. NO. 3-17-SBGP-XX	
SHEET	15 OF 17 SHEETS