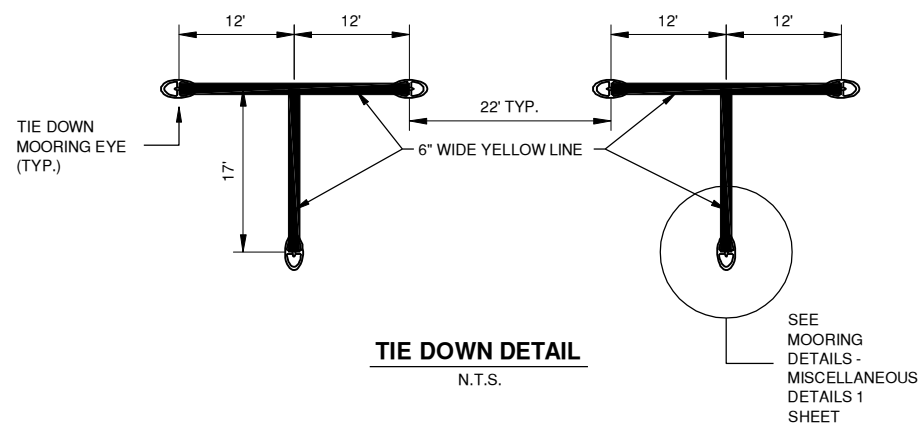
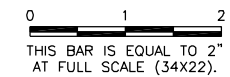


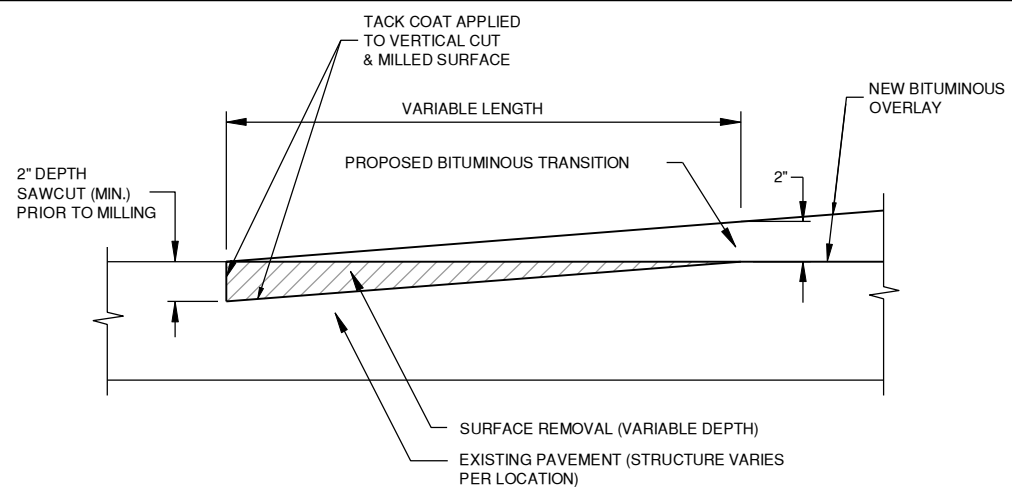
**TA006**

REVISIONS		
NUMBER	BY	DATE



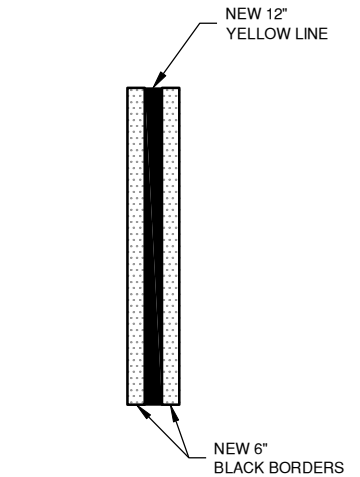
**TIE DOWN DETAIL**  
N.T.S.

SEE MOORING DETAILS - MISCELLANEOUS DETAILS 1 SHEET

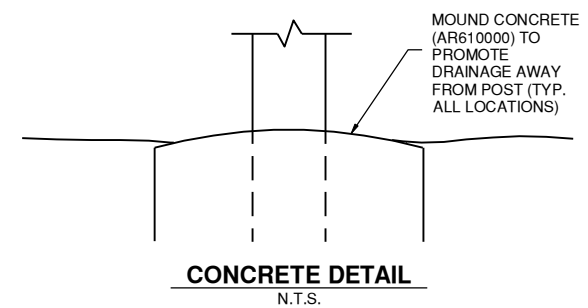


**SECTION D - TYPICAL SECTIONS BUTT JOINT DETAIL**  
N.T.S.

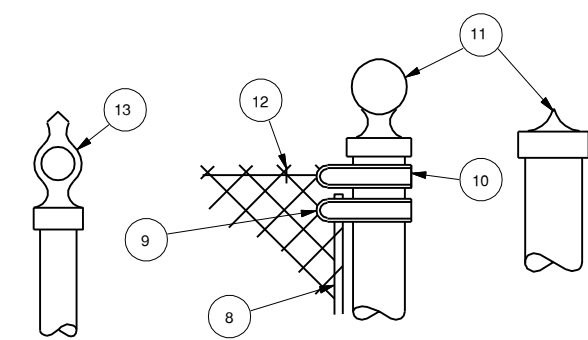
- NOTES:**
1. THIS JOINT USED IN ALL LOCATIONS WHEN CONSTRUCTING NEXT TO ADJACENT EXISTING PAVEMENT.
  2. ONLY THE LOCATIONS SHOWN FOR BUTT JOINT CONSTRUCTION SHALL BE PAID FOR UNDER ITEM AR401655.



**TAXIWAY CENTERLINE CONTINUOUS MARKING**  
N.T.S.

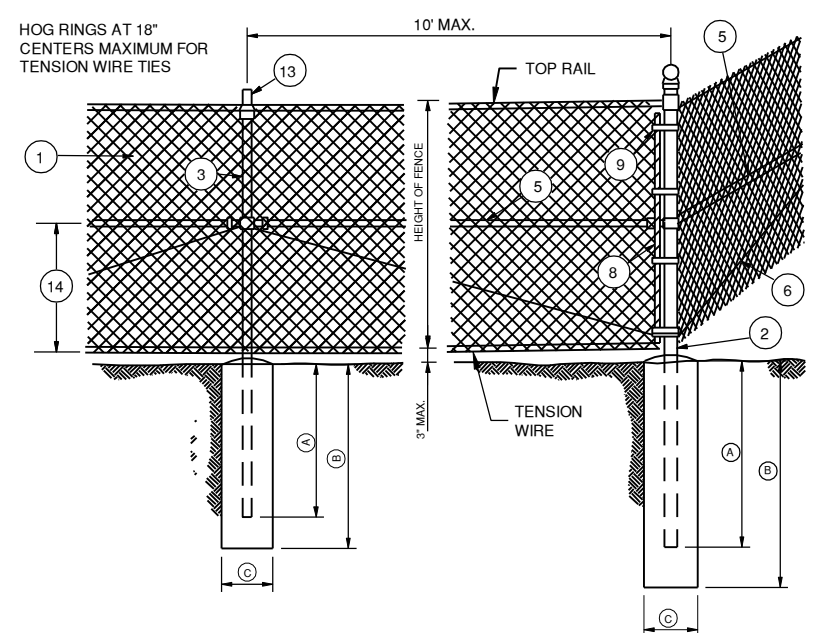


**CONCRETE DETAIL**  
N.T.S.



POST TOPS TO BE PRESSURE FITTED OR SCREWED. POST TOPS MAY BE ELIMINATED FOR ALL POSTS EXCEPT PIPE POSTS. IF POST TOPS ARE ELIMINATED, POST LENGTH SHALL BE INCREASED 3".

**POST TOPS**  
N.T.S.



**FENCE DETAIL**  
N.T.S.

DESCRIPTION	4' FENCE HEIGHT
② END, CORNER & PULL POST	(A) 30"
	(B) 36"
	(C) 10"
③ LINE POST	(A) 24"
	(B) 30"
	(C) 10"
④ GATE POST	(A) 30"
	(B) 36"
	(C) 10"

**LEGEND**

① FABRIC	⑨ STRETCHER BAR BAND
② END, CORNER OR PULL POST	⑩ END OR CORNER CLAMP
③ LINE POST	⑪ POST TOPS (OTHER THAN LINE POSTS)
④ GATE POST	⑫ FABRIC TIES
⑤ BRACE	⑬ LINE POST TOPS
⑥ TRUSS ROD	⑭ ONE-HALF FABRIC HEIGHT OR AS RECOMMENDED BY MANUFACTURER
⑦ GATE FRAME	
⑧ STRETCHER BAR 1/4" X 3/4" PLATE	

**TAYLORVILLE MUNICIPAL AIRPORT**  
**TAYLORVILLE, ILLINOIS**  
**REHABILITATE NORTH PORTION OF AIRCRAFT PARKING APRON**  
**MISCELLANEOUS DETAILS 2**

© Copyright CMT, Inc.  
  
**CMT**  
 CRAWFORD, MURPHY & TULLY, INC.  
 CONSULTING ENGINEERS  
 License No. 184-000618

DESIGN BY:	AJH
DRAWN BY:	CMT
CHECKED BY:	CBG
APPROVED BY:	CET
DATE:	APRIL 18, 2014
JOB No:	13050-01
IL. PROJ. NO. TAZ-4342 SBG NO. 3-17-SBGP-XX	
SHEET 12 OF 14 SHEETS	