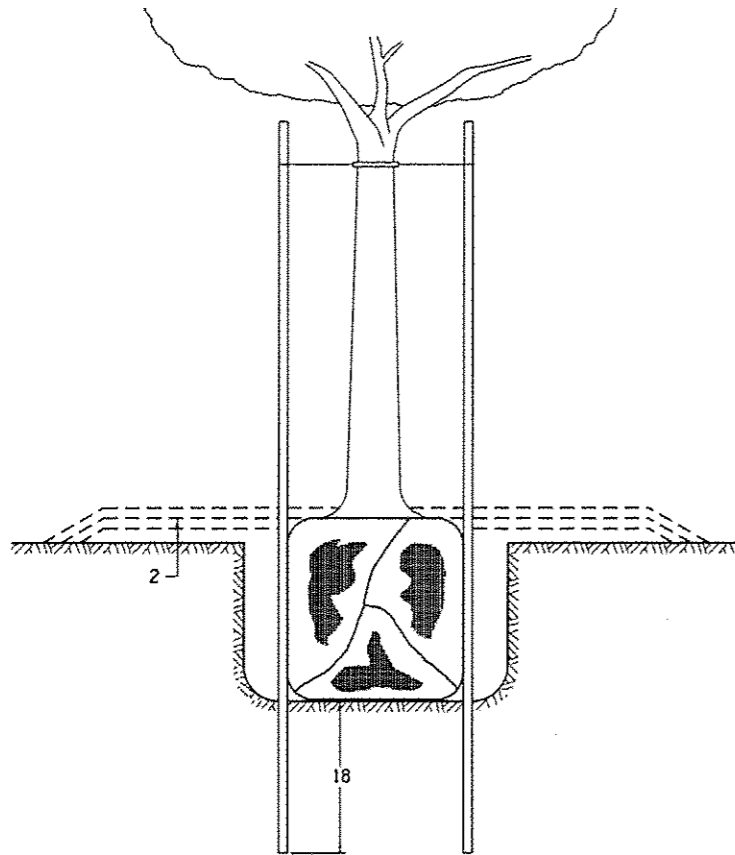
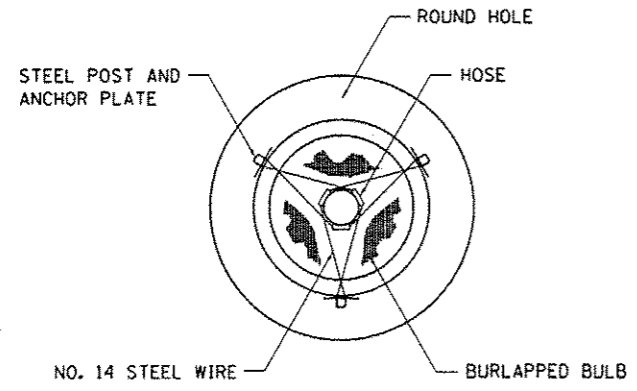


DETAILS OF PLANTING AND BRACING TREES

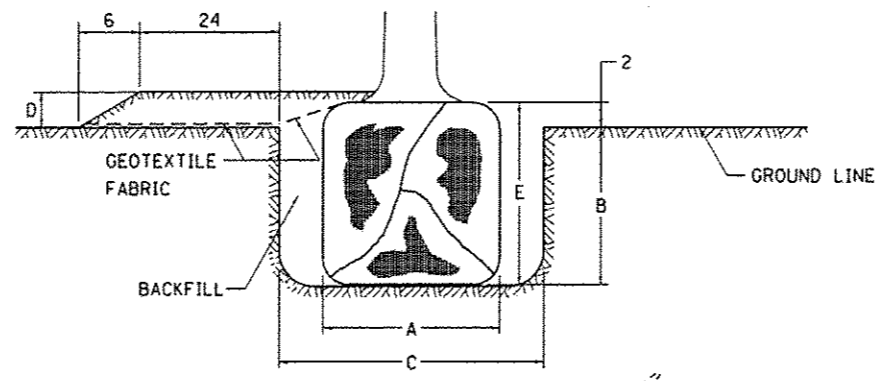


TREES SMALLER THAN 4 1/2 IN DIAMETER

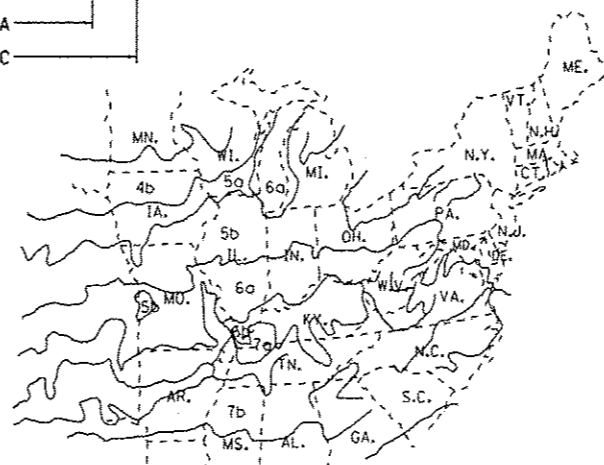
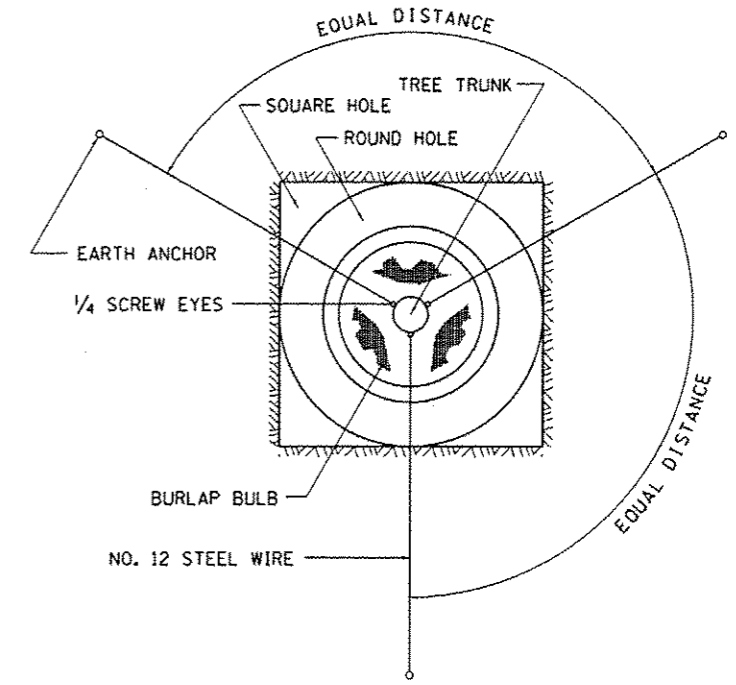
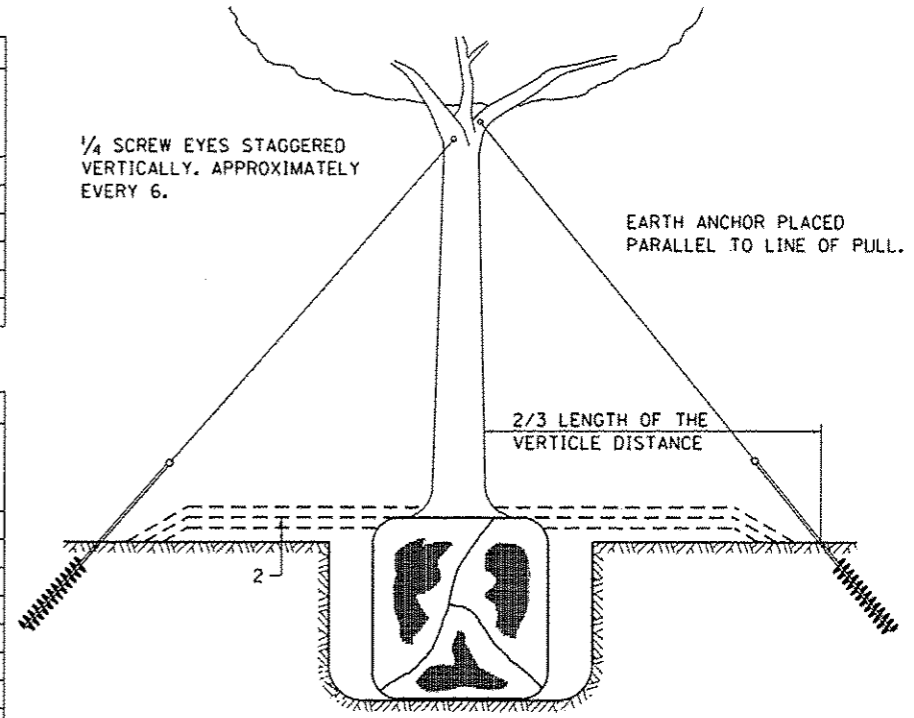


SMALL	A	B	C	D	E	F
TREE SIZE	DIAMETER OF BALL OR ROOT SYS.	DEPTH OF HOLE EXCAVATION	WIDTH OF HOLE EXCAVATION	THICKNESS OF MULCH COVER	DEPTH OF BALL OR ROOT SYS.	VOLUME OF MULCH COVER CU. YDS.
5'-6'	16	10	30	4	12	0.54
5'-6' BB	16	10	30	4	12	0.54
6'-7' BB	18	12	30	4	14	0.54
7'-8' BB	20	11	30	4	13	0.54
8'-10' BB	24	14	36	4	16	0.61
10'-12' BB	26	15	36	4	17	0.61

LARGE	A	B	C	D	E	F
TREE SIZE	DIAMETER OF BALL OR ROOT SYS.	DEPTH OF HOLE EXCAVATION	WIDTH OF HOLE EXCAVATION	THICKNESS OF MULCH COVER	DEPTH OF BALL OR ROOT SYS.	VOLUME OF MULCH COVER CU. YDS.
0-2	20	11	36	4	13	0.61
2-2 1/2 BB	24	14	48	4	16	0.78
2 1/2-3 BB	28	17	48	4	19	0.78
3-3 1/2 BB	32	17	60	4	19	0.96
3 1/2-4 BB	36	20	60	4	22	0.96
4-4 1/2 BB	40	22	72	4	24	1.16
4 1/2-5 BB	44	24	72	4	26	1.16
5-5 1/2 BB	48	27	84	4	29	1.38



TREES OVER 4 1/2 IN DIAMETER



PLANT HARDINESS ZONE MAP
U.S. DEPARTMENT OF AGRICULTURE
AGRICULTURAL RESEARCH SERVICE
PUBLICATION NO. 814

ALL DIMENSIONS ARE IN INCHES
UNLESS OTHERWISE NOTED.