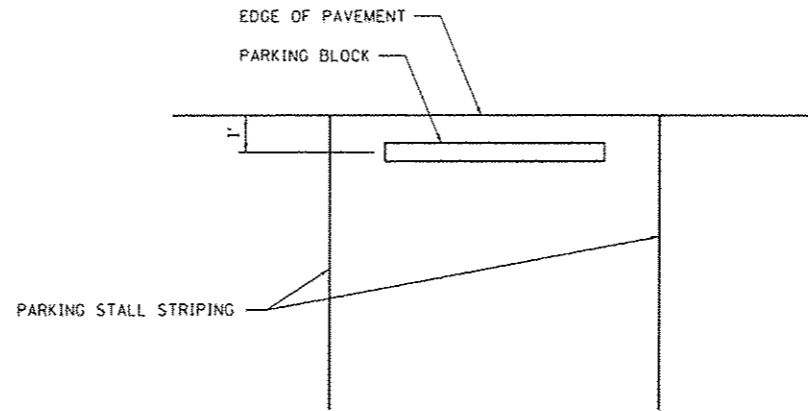


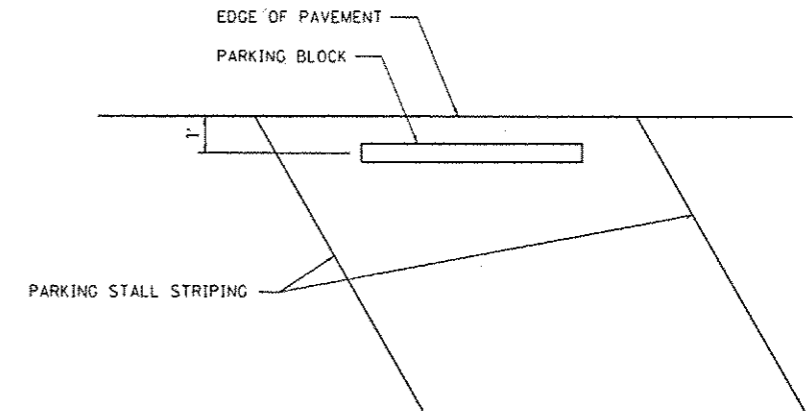
**ORIENTATION #1**

- AREA A
- AREA B
- AREA C
- LOWER CHIPPEWA BOAT ACCESS PARKING WEST
- FISHERMAN PARKING
- MAIN PARK OFFICE
- RIVER BIRCH ADA DRIVE
- HEDGE APPLE
- HORSE STABLE
- DAVIS CREEK



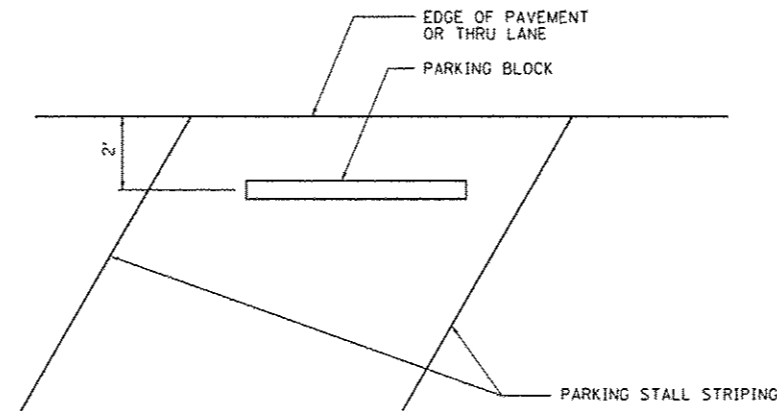
**ORIENTATION #2**

- CHIPPEWA CAMPGROUND ENTRANCE PARKING
- OAK GROVE
- RIVER BIRCH WEST
- RIVER BIRCH EAST
- WHITE PINE
- SILVER POPLAR
- WALNUT
- NORTH LOOP



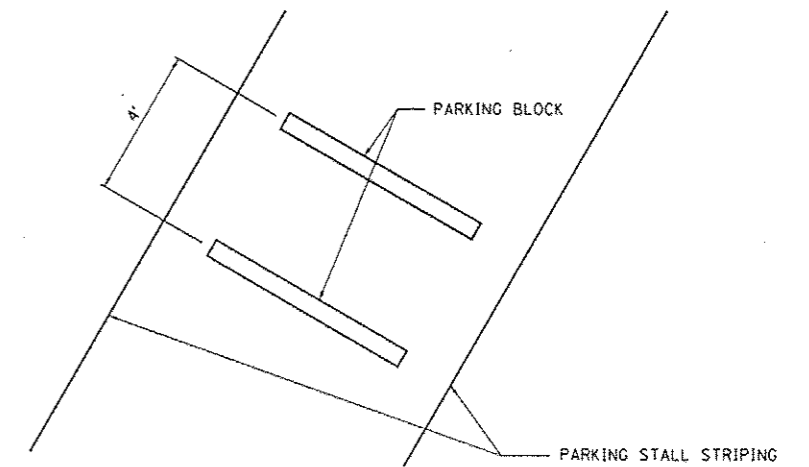
**ORIENTATION #3**

- CONCESSION
- SHAG BARK
- CEDAR GROVE
- RIVERVIEW



**ORIENTATION #4**

MAIN PARK OFFICE



**ORIENTATION #5**

AREAS 9 AND 10 BOAT ACCESS PARKING

FILE NAME : L:\1007\1186618\1007\15\Draw\CADD_Sheets\46251-ent-Details.dgn	USER NAME : Brad Dawren	DESIGNED - MJD	REVISED -
000	PLOT SCALE = 100.0000 1/1 in.	CHECKED - BJD	REVISED -
	PLOT DATE = 4/6/2013	DATE - 3/29/2013	REVISED -

STATE OF ILLINOIS  
DEPARTMENT OF TRANSPORTATION

PARKING BLOCK ORIENTATION DETAILS  
KANKAKEE RIVER STATE PARK

SCALE: N.T.S. SHEET 1 OF 1 SHEETS STA. TO STA.

F.A. RTE.	SECTION	COUNTY	TOTAL SHEETS	SHEET NO.
	PARK ROADS		140	131
* WILL & KANKAKEE			CONTRACT NO. 46251	
ILLINOIS FED. AID PROJECT				