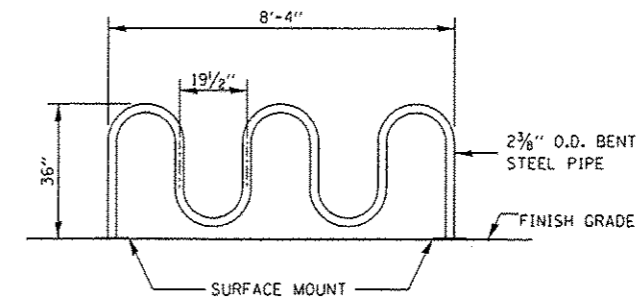
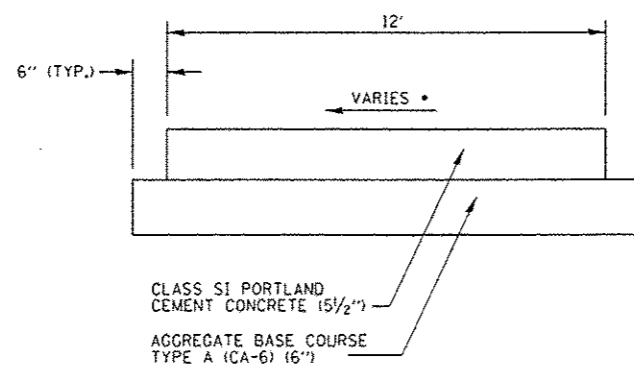


**CONCRETE PAD PLAN**

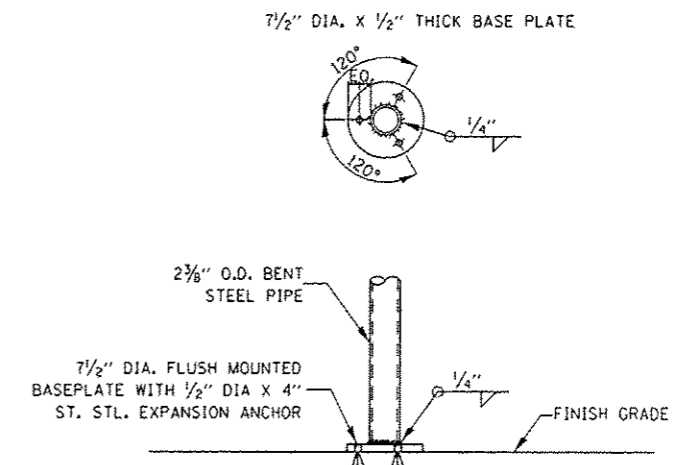


**TYPE "A5" BICYCLE RACK ELEVATION**



**CONCRETE PAD CROSS SECTION**

• SEE PLAN DETAILS FOR CROSS-SLOPE INFORMATION



**SURFACE MOUNT DETAIL**

FILE NAME : L:\1007\1106610\10.15\Draw\CADD_Sheets\046251-shr-Details.dgn	USER NAME : Brad Downen	DESIGNED - MJD	REVISED -
		DRAWN - RAH	REVISED -
		CHECKED - BJD	REVISED -
		DATE - 3/29/2013	REVISED -

**STATE OF ILLINOIS  
DEPARTMENT OF TRANSPORTATION**

<b>BICYCLE RACK DETAIL</b>		F.A. RTE.	SECTION	COUNTY	TOTAL SHEETS	SHEET NO.
<b>KANKAKEE RIVER STATE PARK</b>			PARK ROADS	*	140	132
SCALE: N.T.S.		SHEET 1 OF 1 SHEETS		STA.	TO STA.	CONTRACT NO. 46251
ILLINOIS FED. AID PROJECT						