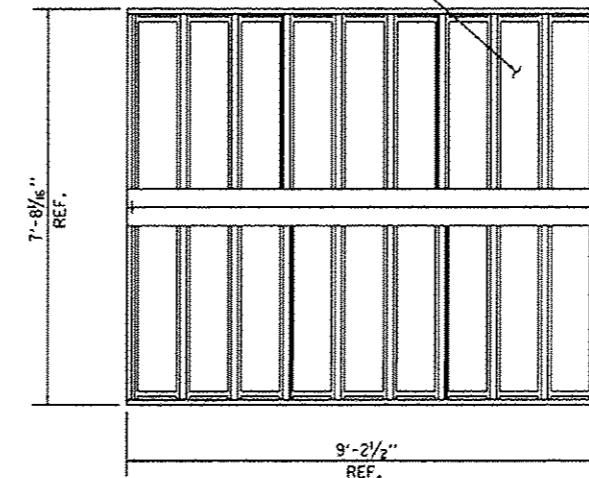


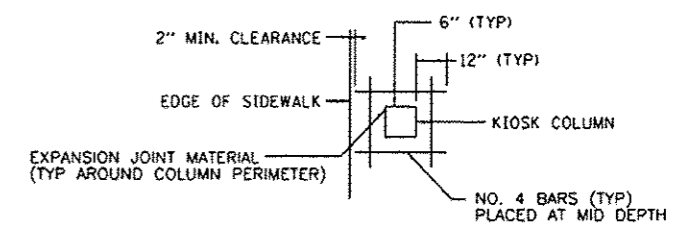
NOTES:

1. PROPOSED SIDEWALK SHALL BE CONSTRUCTED IN ACCORDANCE WITH CURRENT ADA REQUIREMENTS (NO SLOPE SHALL EXCEED 2% IN ANY DIRECTION).
2. EXPANSION JOINT MATERIAL AND REBAR SHALL BE PLACED AROUND THE KIOSK SUPPORTS WHERE THEY ARE ADJACENT TO THE PCC SIDEWALK (SEE DETAIL). COST INCIDENTAL TO INFORMATION KIOSK COMPLETE.

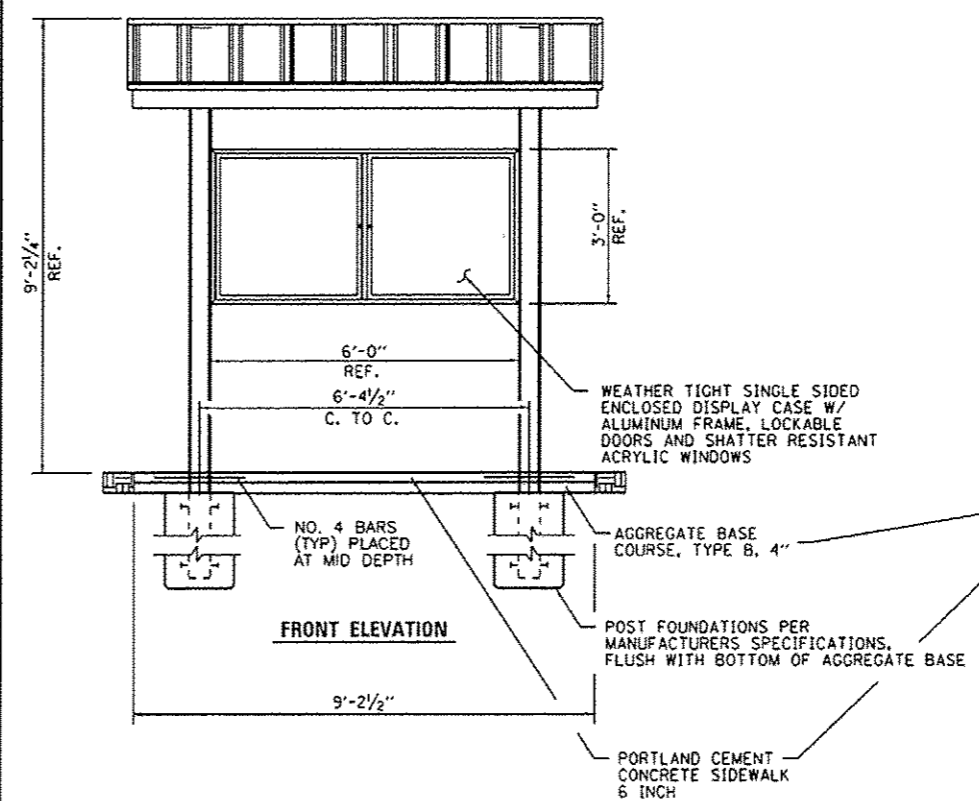
24 GA. GALVALUME COATED, PAINTED, STEEL ROOFING PANELS.



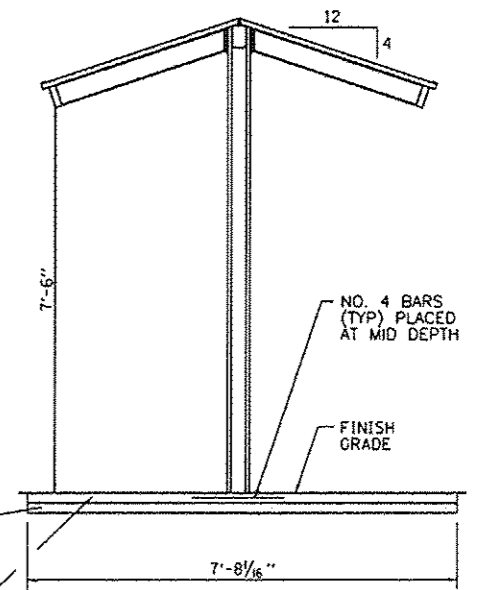
ROOF PLAN



COLUMN PLAN VIEW



FRONT ELEVATION



SIDE VIEW

TYPICAL KIOSK DETAILS

NO SCALE

FILE NAME *	USER NAME * Matt Overbay	DESIGNED - MJO	REVISED -
L:\DOT\1186618\WD_9\DOT\1186618\CADD_Sheets\08_MISC-DETAILS.dgn		DRAWN - GLD	REVISED -
Default	PLOT SCALE * 6.00000 ' / in.	CHECKED - SPH	REVISED -
	PLOT DATE * 2/11/2013	DATE - 2/8/2013	REVISED -

**STATE OF ILLINOIS
DEPARTMENT OF TRANSPORTATION**

**MISCELLANEOUS DETAILS
IDNR LASALLE LAKE STATE FISH AND WILDLIFE AREA**

F.A. RTE.	SECTION	COUNTY	TOTAL SHEETS	SHEET NO.
N/A	PARKS ROADS	LASALLE	20	20
CONTRACT NO. 46254			ILLINOIS FED. AID PROJECT	

SCALE: NTS SHEET OF SHEETS STA. TO STA.