

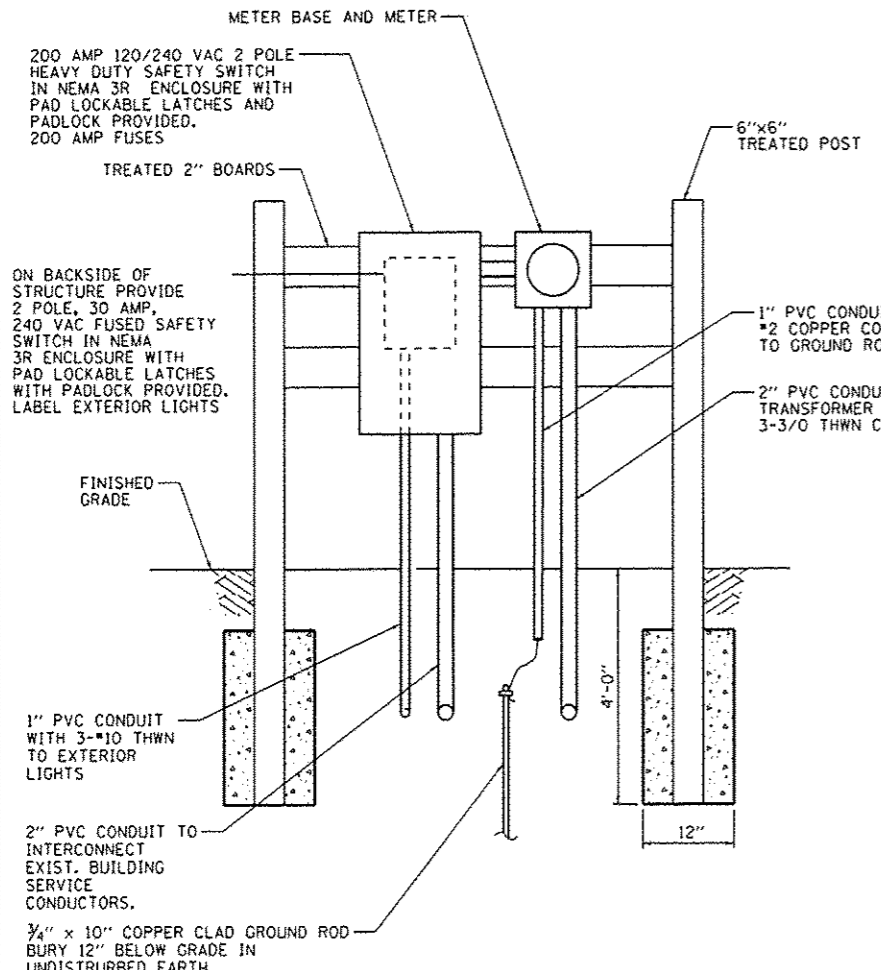
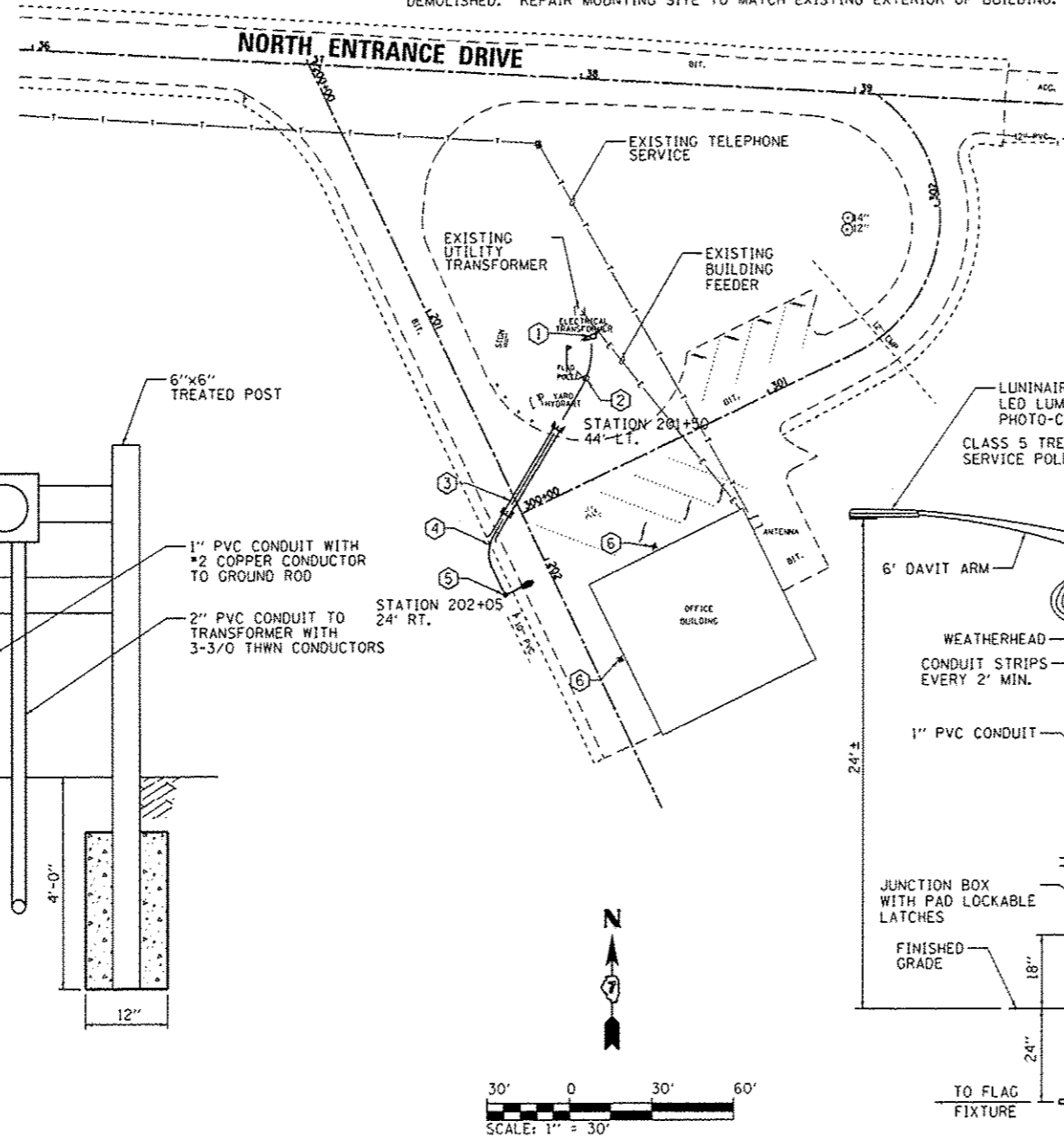
UPLIGHTS FIXTURE DETAIL
N.T.S.

KEYED NOTES:

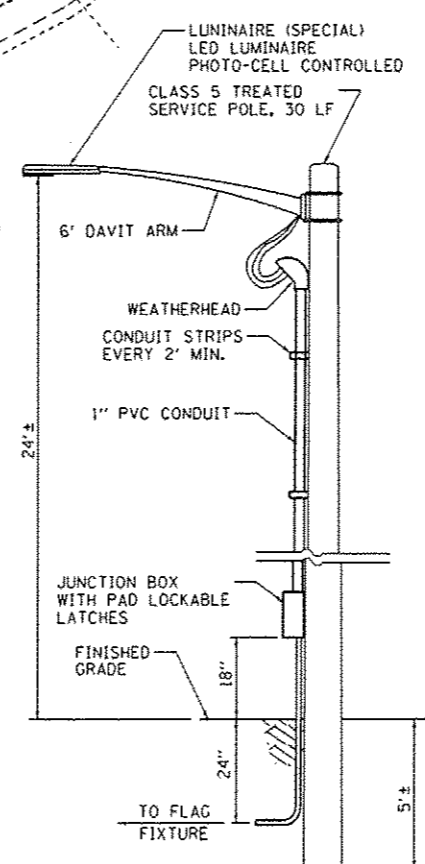
- ① IN COORDINATION WITH THE SERVING UTILITY THE CONTRACTOR SHALL REMOVE THE METER BASE OFF OF THE TRANSFORMER AND RELOCATE NEW SERVICE TO SERVICE STRUCTURE. SEE ELECTRICAL SERVICE DETAIL FOR FURTHER INFORMATION.
- ② FLOODLIGHT GROUND MOUNTED 10 FEET FROM EXISTING FLAG. SEE FLOODLIGHT DETAIL FOR FURTHER INFORMATION. THIS WORK SHALL BE PAID FOR AS "UPLIGHTS" - EACH.
- ③ CONDUIT PUSHED OR BORED UNDERNEATH BITUMINOUS PAVEMENT.
- ④ TWO #10 THWN (240VAC), ONE #10 GROUND IN 1 INCH SCHEDULE 40 PVC CONDUIT, BURIED 24 INCHES BELOW FINISHED GRADE.
- ⑤ LED LUMINAIRE, 8700 LUMEN, INDIVIDUAL PHOTO-CELL CONTROLLED FIXTURE MOUNTED ON A 30 FOOT CLASS 5 TREATED WOOD POLE. SEE ROADWAY FIXTURE DETAIL FOR FURTHER INFORMATION. THIS WORK SHALL BE PAID FOR AS "LUMINAIRE (SPECIAL)" - EACH. JUNCTION BOX AND POLE MOUNTED CONDUIT AND FITTINGS SHALL BE MEASURED FOR PAYMENT AS "UNDERGROUND CONDUIT" OF THE TYPE AND DIAMETER SPECIFIED.
- ⑥ EXISTING BUILDING MOUNTED EXTERIOR HIGH-INTENSITY DISCHARGE FIXTURE TO BE DEMOLISHED. REPAIR MOUNTING SITE TO MATCH EXISTING EXTERIOR OF BUILDING.

GENERAL NOTES:

1. WHERE UTILITY LINES UNDERGROUND OBSTRUCTIONS OR PIPING MAY BE UNCOVERED ON THE PROJECT, THE CONTRACTOR SHALL NOTIFY THE OWNER OF THE UTILITY AND TAKE ALL NECESSARY MEASURES TO PREVENT INTERRUPTION OF SERVICES THAT MAY BE DAMAGED OR INTERRUPTED THROUGH THE CONTRACTOR'S OWN NEGLIGENCE AND BE RESPONSIBLE FOR IMMEDIATE REPAIR AND/OR RESTORATION AT THE CONTRACTOR'S EXPENSE.
2. ALL DISTURBED AREAS SHALL BE RESTORED WITH 4" OF TOPSOIL, SEEDING AND MULCH. THIS WORK WILL BE IN ACCORDANCE WITH SECTIONS 211 AND 252 OF THE STANDARD SPECIFICATIONS.
3. ALL LOCATIONS AND DIMENSIONS ARE APPROXIMATE. THE CONTRACTOR SHALL FIELD VERIFY ALL ELECTRICAL EQUIPMENT LOCATIONS AND DIMENSIONS PRIOR TO ORDERING AND INSTALLING.
4. ALL ELECTRICAL EQUIPMENT SHALL BE INSTALLED IN CONFORMANCE WITH NFPA70 (NATIONAL ELECTRIC CODE, MOST CURRENT ISSUE), THE RESPECTIVE EQUIPMENT MANUFACTURER'S DIRECTIONS AND ALL OTHER APPLICABLE LOCAL CODES, LAWS, ORDINANCES AND REQUIREMENTS IN FORCE. ANY INSTALLATION'S WHICH WOULD VOID THE U.L. LISTINGS (OR THIRD PARTY LISTINGS) AND/OR THE MANUFACTURER'S WARRANTY OF A DEVICE WILL NOT BE PERMITTED.
5. IF REQUIRED BY THE ENGINEER, THE CONTRACTOR SHALL PROVIDE A ONETIME NIGHTTIME SIGHT VISIT TO RE-AIM AS MANY LIGHT FIXTURES AS DEEMED NECESSARY BY THE ENGINEER.
6. THE CONTRACTOR SHALL NOT REMOVE ANY OF THE EXISTING LIGHT FIXTURES UNTIL THE NEW UNITS ARE AVAILABLE. THE UNITS SHALL BE REPLACED IN SUCH A MANNER THAT ALL THE LIGHT FIXTURES (EXISTING AND NEW) ARE IN OPERATION DURING EACH NIGHT.
7. THE CONTRACTOR SHALL COORDINATE THE RECONSTRUCTION OF THE ELECTRICAL SERVICE WITH THE SERVING UTILITY, NORRIS ELECTRIC CORPORATION, 8543 NORTH STATE HWY 130, NEWTON, IL 62448 TELEPHONE NUMBER (877) 783-8765 ATTENTION TIM HUBER OR EMAIL AT THUBER@NORRISELECTRIC.COM.
8. THE CONTRACTOR SHALL FURNISH AND INSTALL UTILITY METERING EQUIPMENT AS REQUIRED BY SERVING UTILITY AND SHALL COORDINATE EXACT LOCATION OF THIS METERING WITH SERVING UTILITY AND OWNER'S AUTHORIZED REPRESENTATIVE.
9. IN ORDER TO MINIMIZE DOWN-TIME TO THE EXISTING FACILITY, AN EXISTING SERVICE SHALL REMAIN IN SERVICE AS LONG AS POSSIBLE UNTIL NEW SERVICE OR MODIFICATIONS ARE IN PLACE AND READY FOR SWITCH-OVER. ANY SHUTDOWN OR DISRUPTION OF THE EXISTING FACILITY POWER DISTRIBUTION SHALL BE COORDINATED WITH THE OWNER AND ENGINEER. A MINIMUM OF 72 HOURS WRITTEN NOTICE OF ANY SUCH SHUTDOWN SHALL BE FURNISHED BY CONTRACTOR BEFORE COMMENCING WITH ANY SUCH WORK. BEFORE DISCONNECTION OF ANY EXISTING SERVICE ENTRANCE OR POWER, NEW IMPROVEMENTS SHALL BE FULLY INSTALLED, CHECKED OUT AND READY FOR COMMISSION. ANY EXISTING UTILITY EQUIPMENT TO BE DE-COMMISSIONED OR REMOVED SHALL BE DONE ONLY AFTER NEW IMPROVEMENTS HAVE BEEN THOROUGHLY TESTED AND ACCEPTED FOR PERMANENT OPERATION.
10. CONDUIT LOCATIONS SHOWN IN THE PLANS ARE DIAGRAMMATIC IN NATURE AND MAY BE VARIED TO SUIT FIELD CONDITIONS. SHOULD A CONFLICT ARISE, THE CONTRACTOR SHALL CONTACT THE ENGINEER IMMEDIATELY FOR A RESOLUTION. CONDUIT SHALL BE INSTALLED AT A MINIMUM DEPTH OF 24".
11. ALL BELOW GRADE ELECTRICAL LIGHTING CABLING SHALL BE IN 1 INCH SCHEDULE 40 PVC CONDUIT OR POLYDUCT, MINIMUM BURY 24" BELOW FINISHED GRADE.
12. ALL CONDUIT BELOW EXISTING SIDEWALKS OR PAVED SURFACES SHALL BE DIRECTIONAL BORED, UNLESS OTHERWISE APPROVED BY THE ENGINEER.
13. ALL UNDERGROUND CIRCUIT WIRING SHALL BE XLP-USE STRANDED COPPER ACCORDING TO STANDARD SPECIFICATION 1066.03. CABLE INSULATION SHALL BE SOLID COLOR RED, BLUE, WHITE OR GREEN STYLE ACCORDING TO USE.



ELECTRIC SERVICE INSTALLATION DETAIL
N.T.S.



LUMINAIRE (SPECIAL) AND LIGHT POLE DETAIL
N.T.S.

FILE NAME	USER NAME = Brian Bond	DESIGNED - BMB	REVISED -	STATE OF ILLINOIS DEPARTMENT OF TRANSPORTATION	LIGHTING AND ELECTRICAL PLAN - PARK OFFICE PARKING NEWTON LAKE STATE FISH AND WILDLIFE AREA				F.A. RTE.	SECTION	COUNTY	TOTAL SHEETS	SHEET NO.
L:\1001\1106610\W0.13\0-a\CA00.Sheets	46255.ElecPlan - North.dgn	DRAWN - RAH	REVISED -		N/A	PARKS ROADS	JASPER	66	28				
Default	PLOT SCALE = 60,0000 / 1 in.	CHECKED - JMM	REVISED -		SCALE: AS NOTED SHEET OF SHEETS STA. TO STA.				CONTRACT NO. 46255				
	PLOT DATE = 3/29/2013	DATE = 3/29/2013	REVISED -		ILLINOIS FED. AID PROJECT								