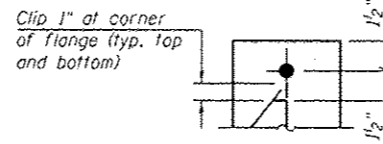


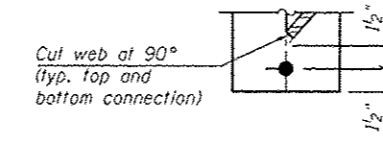
**SECTION A-A  
BOTTOM CONNECTION  
DETAIL**

**SECTION B-B  
TOP CONNECTION  
DETAIL**

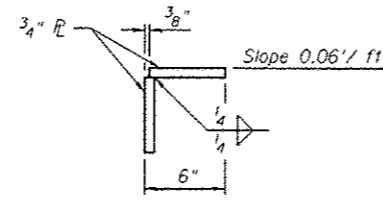
\*\* Weld 3/4" x 5 1/2" plate to seat as shown in Detail D and Detail E.



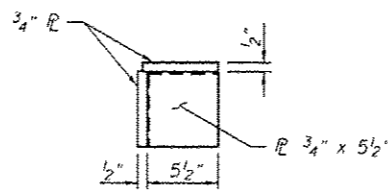
**DETAIL A**



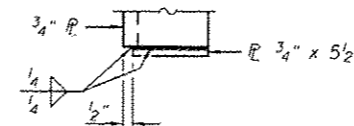
**DETAIL B**



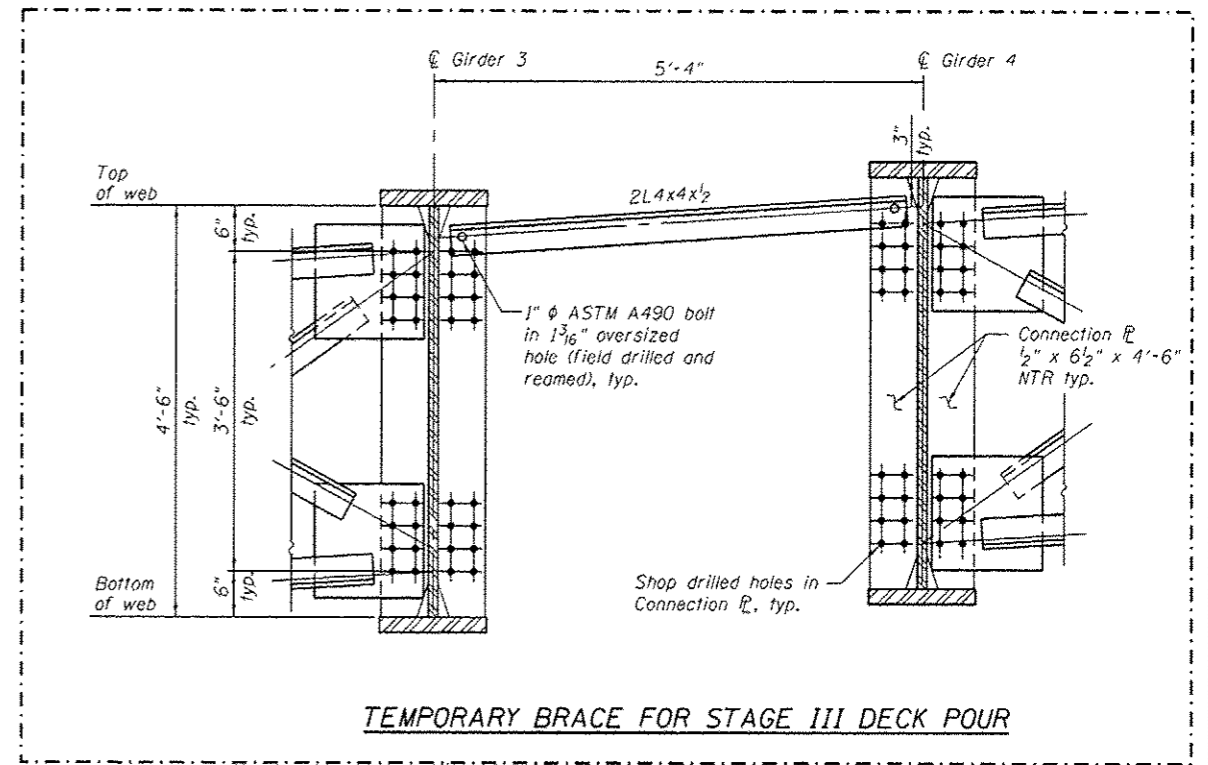
**DETAIL C**



**DETAIL D**



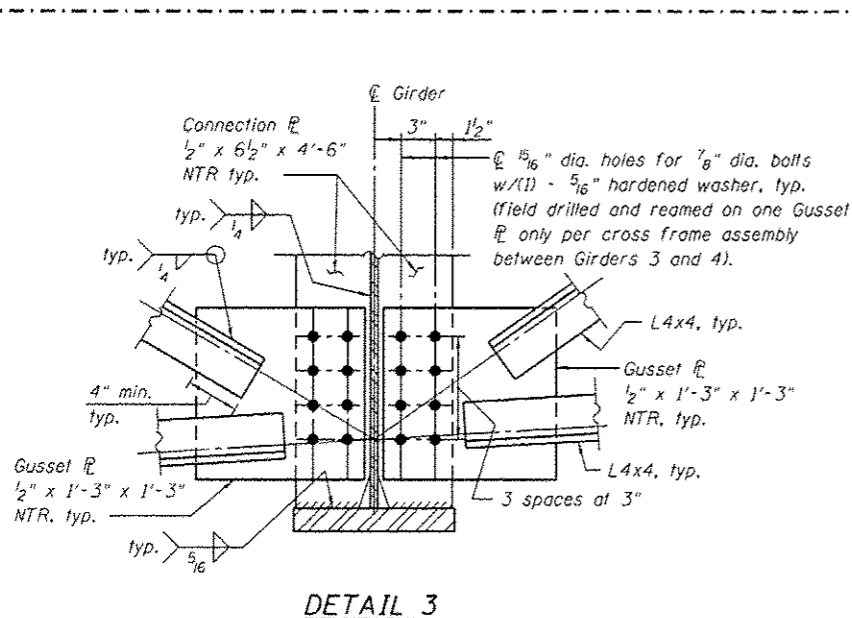
**DETAIL E**



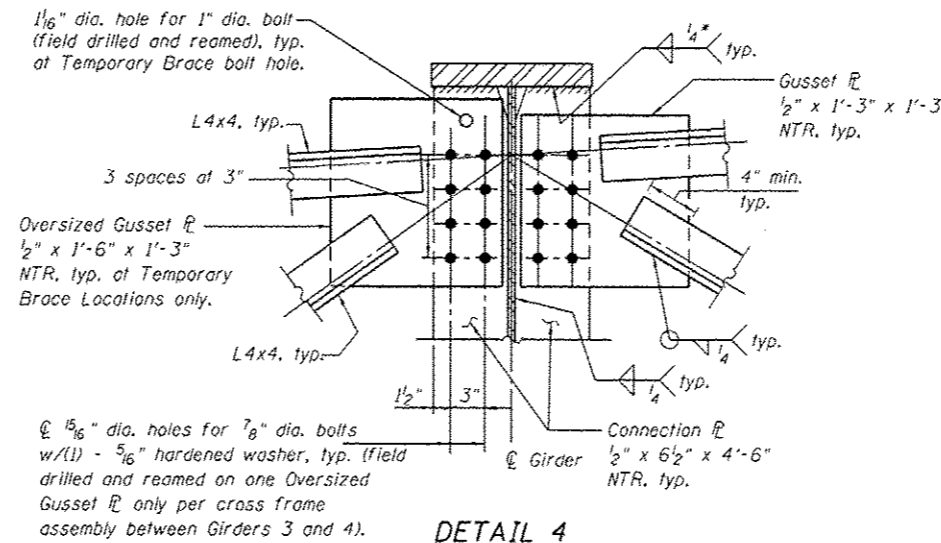
**TEMPORARY BRACE FOR STAGE III DECK POUR**

**Notes:**

- Cost of temporary brace included in pay item "Furnishing and Erecting Structural Steel".
- All structural steel shall be AASHTO M270 Grade 50.
- NTR indicates Notch Toughness Requirements.



**DETAIL 3**



**DETAIL 4**

\* 5/16" between Splice 1 & 2

**STAGE III DECK POUR AND CLOSURE POUR SEQUENCING**

- Erect girder lines 1 thru 3 with cross frames between girders 1-2 and 2-3. Abutment and Pier cross frames between girders 3 and 4 to be erected.
- Erect temporary brace between girder lines 3 and 4 at each cross frame location by field drilling and reaming holes in connection plates and temporary braces.
- Pour Stage III deck.
- Remove and replace temporary braces with cross frames. Only one temporary brace may be removed at a time. Install cross frames by field drilling and reaming holes in the gusset plates of one side of the cross frames only. Contractor shall field verify dimensions of cross frames prior to fabrication. See Details 3 and 4 for final gusset plate details.
- Pour closure pour.

(Sheet 3 of 3)

USER NAME	DESIGNED - MAH	REVISED - 5-30-2013 AMS
PLOT SCALE	CHECKED - LOB	REVISED
PLOT DATE	DRAWN - DR	REVISED
	CHECKED - JMM	REVISED

F.A.P. RTE.	SECTION	COUNTY	TOTAL SHEETS	SHEET NO.
0383	0303-474HB-R	COOK	368	220
CONTRACT NO. 60F63				
ILLINOIS FED. AID PROJECT				