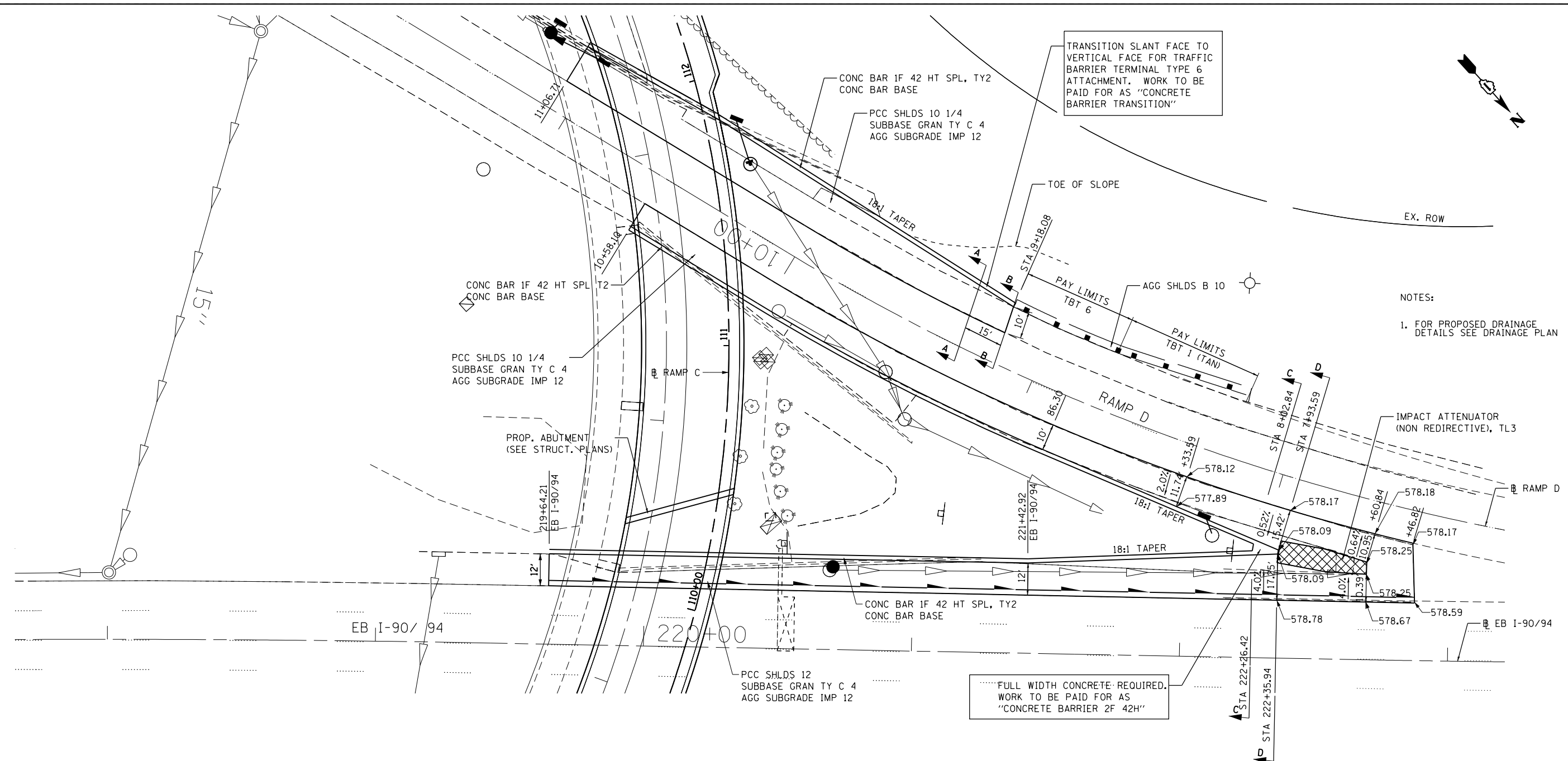
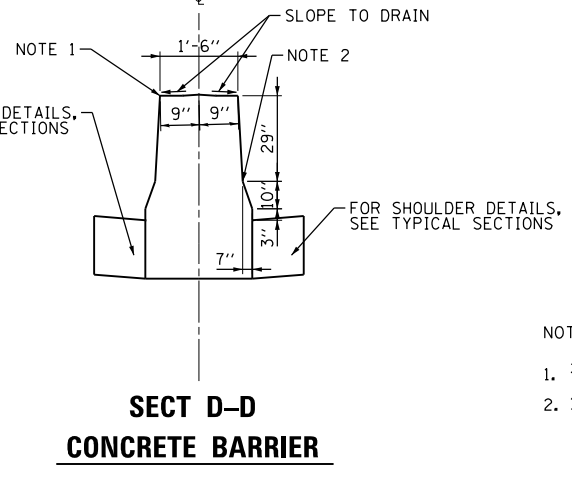
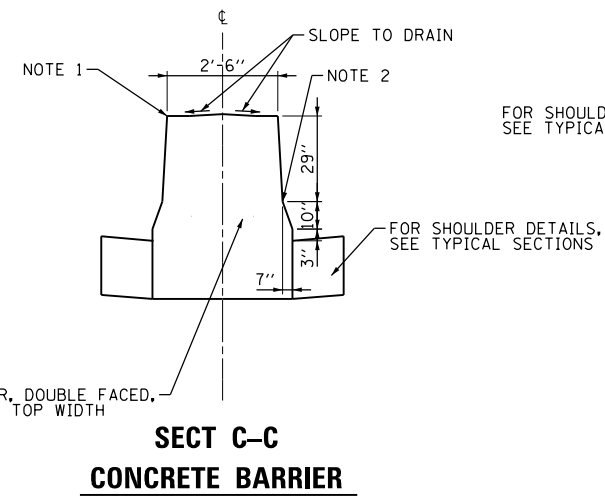
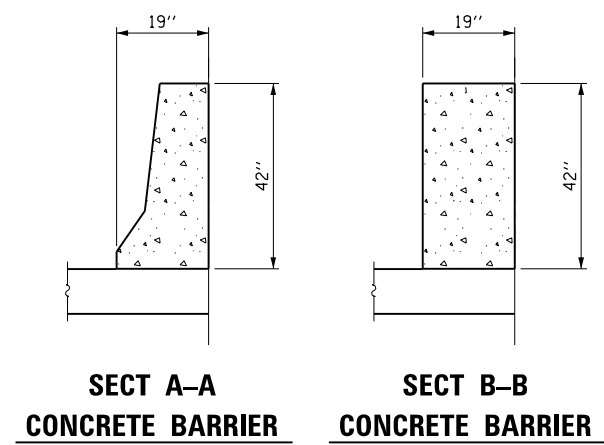


FILE NAME = \\collinsengr.com\1\udata\1\Posanden\DDCS\Y2000 - 134.ctb\Drawn\Street\CADD\CADD SHEETS\0160F63-DET1.dgn



NOTES:
1. FOR PROPOSED DRAINAGE DETAILS SEE DRAINAGE PLAN



NOTES:
1. 3/4" CHAMFER OR 1" RADIUS (OPTIONAL)
2. 10" RADIUS (OPTIONAL)

COLLINS ENGINEERS

| | | |
|------------------------------|------------|-----------|
| USER NAME = r9e11 | DESIGNED - | REVISED - |
| PLOT SCALE = 40.000000' / 1" | DRAWN - | REVISED - |
| PLOT DATE = 3/25/2013 | CHECKED - | REVISED - |
| | DATE - | REVISED - |

STATE OF ILLINOIS
DEPARTMENT OF TRANSPORTATION

ROADWAY DETAILS
RAMP D GORE

| | | | | |
|--------|-----------|-----------|------|---------|
| SCALE: | SHEET NO. | OF SHEETS | STA. | TO STA. |
|--------|-----------|-----------|------|---------|

| | | | | |
|--------------------|--------------|--------|--------------|-----------|
| F.A.I. RTE. | SECTION | COUNTY | TOTAL SHEETS | SHEET NO. |
| 90/94 | 0303-474HB-R | COOK | 368 | 51 |
| CONTRACT NO. 60F63 | | | | |

FED. ROAD DIST. NO. 1 ILLINOIS FED. AID PROJECT