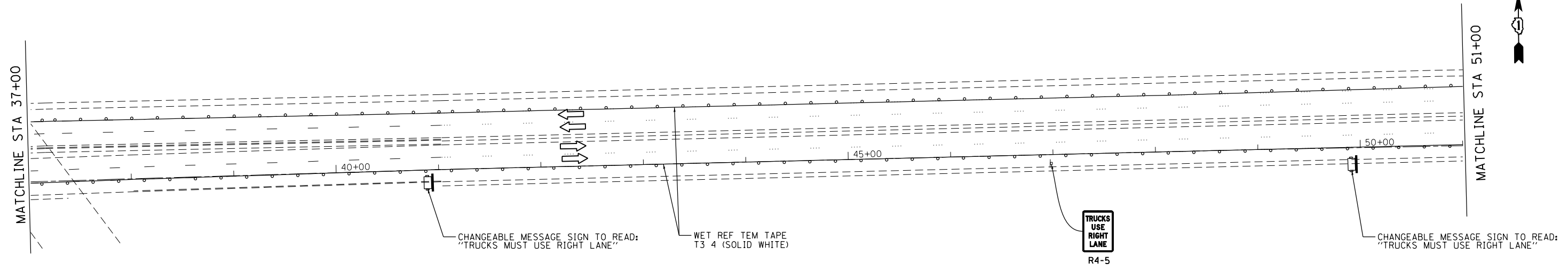


- LEGEND**
- WORK AREA
 - IMPACT ATTENUATOR
 - TEMPORARY CONCRETE BARRIER
 - TYPE II BARRICADES OR DRUMS WITH STEADY BURN MONODIRECTIONAL LIGHT (AT SPECIFIED SPACING)
 - DIRECTION OF TRAFFIC FLOW
 - SIGN
 - VERTICAL PANELS (AT SPECIFIED SPACING)
 - ARROW BOARD
 - TYPE III BARRICADE
 - BARRIER WALL MARKERS (AT SPECIFIED SPACING)
 - TEMPORARY PAVEMENT, CURRENT STAGE
 - TEMPORARY PAVEMENT, PREVIOUS STAGE
 - CHANGEABLE MESSAGE SIGN

MATCHLINE STA. 11+00



NOTES:
 1. MOUNT EXISTING SIGNS TO EXISTING HALSTED STREET BRIDGE.
 THE MOUNTING DETAIL SHALL BE APPROVED BY THE ENGINEER.

FILE NAME = \\collinsengr.com\1\adate\1\Posanden\DDCS\7200 - I34.ct.0hvo.Street\CADD\CADD_SHEETS\MOT\DI60F63-ph-tt-staging-stg2-RampB.dgn



USER NAME = rge11	DESIGNED -	REVISED -
PLOT SCALE = 100.000' / in.	DRAWN -	REVISED -
PLOT DATE = 3/25/2013	CHECKED -	REVISED -
	DATE -	REVISED -

**STATE OF ILLINOIS
 DEPARTMENT OF TRANSPORTATION**

**STAGING AND TRAFFIC CONTROL
 I-90/94 STAGE II
 SUBSTAGE C**

SCALE:	SHEET NO.	OF SHEETS	STA.	TO STA.
--------	-----------	-----------	------	---------

F.A.I. RTE.	SECTION	COUNTY	TOTAL SHEETS	SHEET NO.
90/94	0303-474HB-R	COOK	343	93
FED. ROAD DIST. NO. 1 ILLINOIS FED. AID PROJECT			CONTRACT NO. 60F63	