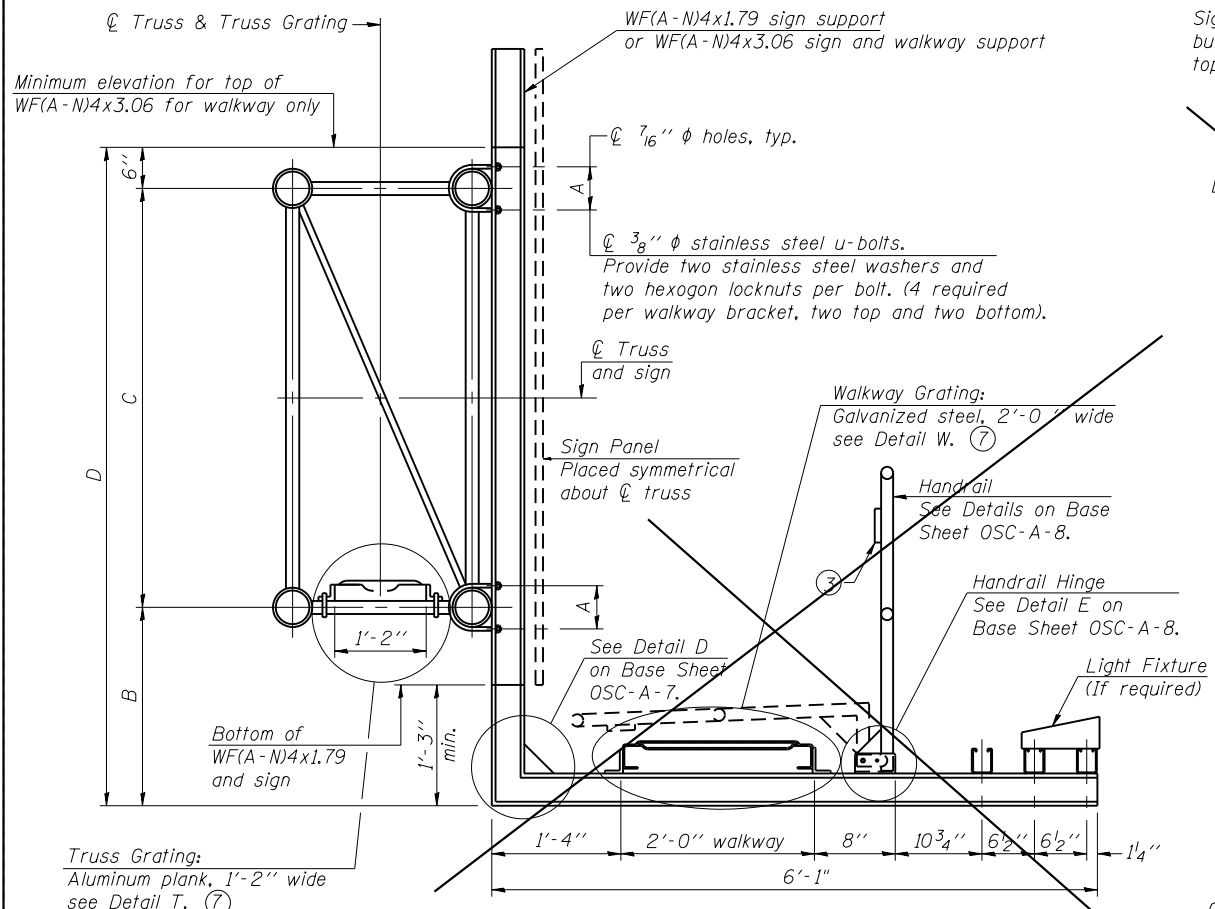
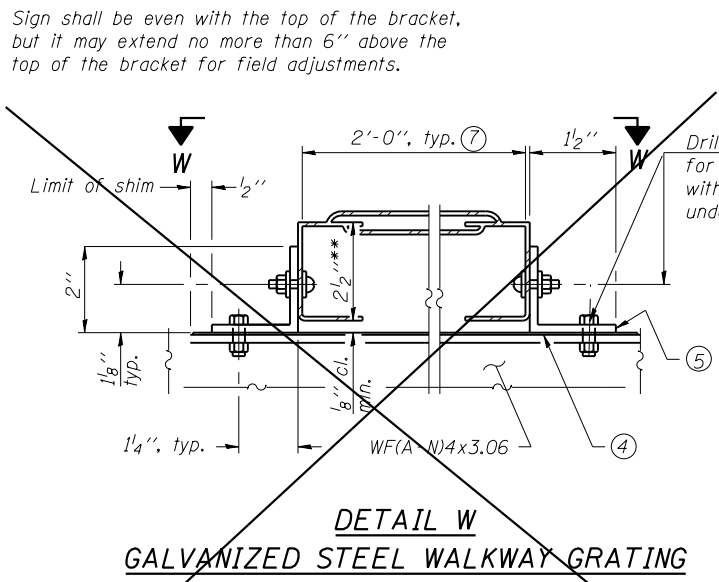


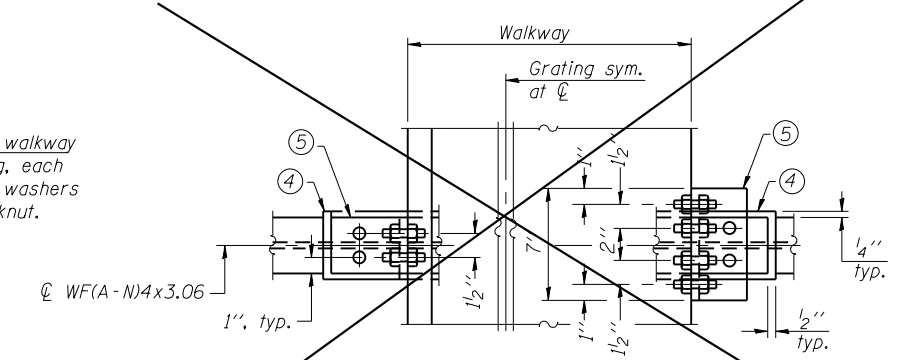
FILE NAME = \\collinsengr.com\1\data\1\Posanden\1\Drawings\OSC-A-75.dwg



SECTION B-B

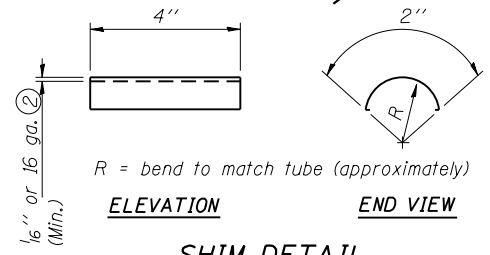


DETAIL W GALVANIZED STEEL WALKWAY GRATING



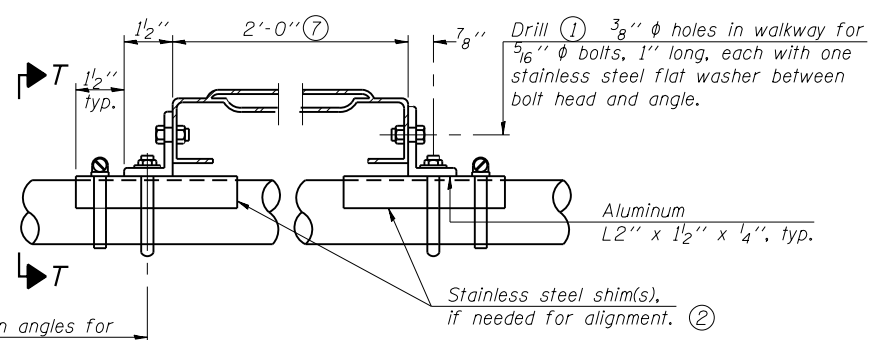
WALKWAY GRATING CONTINUOUS AT WALKWAY GRATING SPLICE

SECTION W-W

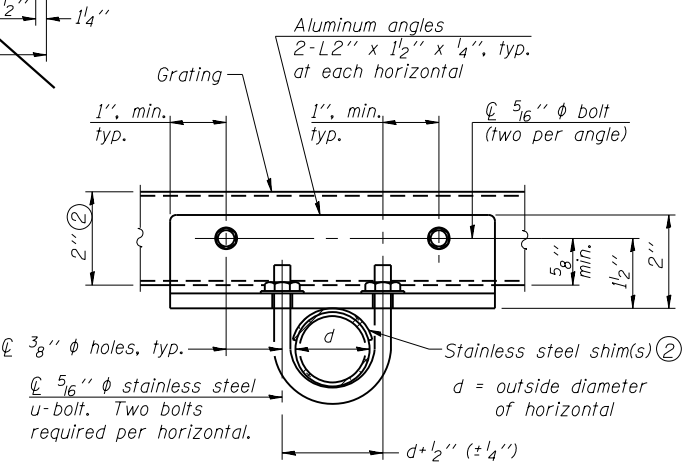


SHIM DETAIL

- ① Drilling holes in grating may be done in shop or field, based on Contractor's preference and subject to accurate alignment.
- ② Stainless steel shims shall be placed under angles at horizontals and horizontal diagonals if needed to compensate for alignment variations and differences in horizontal diagonal pipe sizes beyond adjustment provided by angles. Secure with one stainless steel clamp per location, see "Shim Detail". Thicker shim plates may be used when needed subject to shims performing properly.
- ③ 1/8" x 1/2" x 2" welded to handrail posts to protect locations that contact grating.
- ④ 1/16" (or 16 ga.) x 2 1/2" x 4" stainless steel shim adhered to top of WF(A-N)4x3.06 beneath each galvanized angle, typ. Adhesives for shims shall be suitable for materials joined and full exposure conditions.
- ⑤ Galvanized steel L2" x 2" x 1/4", 3 1/2" long with continuous grating 7" long at grating splice.
- ⑥ Details shown are considered equal alternatives to Aluminum Walkway Details and may be substituted by Contractor at no charge in contract cost.
- ⑦ Perforated or expanded metal grating providing a skid resistant (non-serrated) surface and capable of supporting a 500 pound concentrated load with a 6'-0" clear span. Walkway and truss grating dimensions are nominal and may vary (width ± 1/2", depth 1/2") based on available standard sizes. Cut ends of grating shall be free of burrs or hazardous projections and coated with zinc-rich primer or equivalent.
- ⑧ Based on actual sign height, Ds, given on OSC-A-1.

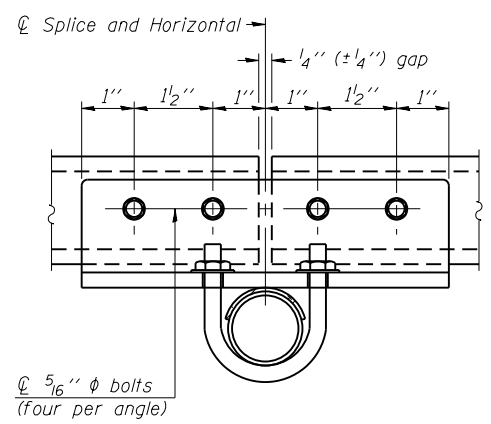


DETAIL T (Truss grating at horizontal)



SECTION T-T (Truss Grating Continuous)

ALUMINUM TRUSS GRATING



SECTION T-T

(Truss Grating Splice)
Alternate splice details and locations may be used subject to the Engineer's review and approval.

Structure Number	Station	A	⑧ B	C	⑧ D
1C0161094L050.4-000	119+31.57	0'-5 3/8"	2'-9"	4'-6"	7'-9"

OSC-A-75

6-1-12



USER NAME = r9e11	DESIGNED -	REVISED -
PLOT SCALE = 0:2.0000 ' / in.	DRAWN -	REVISED -
PLOT DATE = 3/25/2013	CHECKED -	REVISED -
	DATE -	REVISED -

STATE OF ILLINOIS
DEPARTMENT OF TRANSPORTATION

CANTILEVER SIGN STRUCTURES
ALTERNATE WALKWAY DETAILS

SCALE: SHEET NO. OF SHEETS STA. TO STA.

F.A.I. R.E.	SECTION	COUNTY	TOTAL SHEETS	SHEET NO.
90/94	0303-474HB-R	COOK	368	155
CONTRACT NO. 60F63				
FED. ROAD DIST. NO. 1 ILLINOIS FED. AID PROJECT				