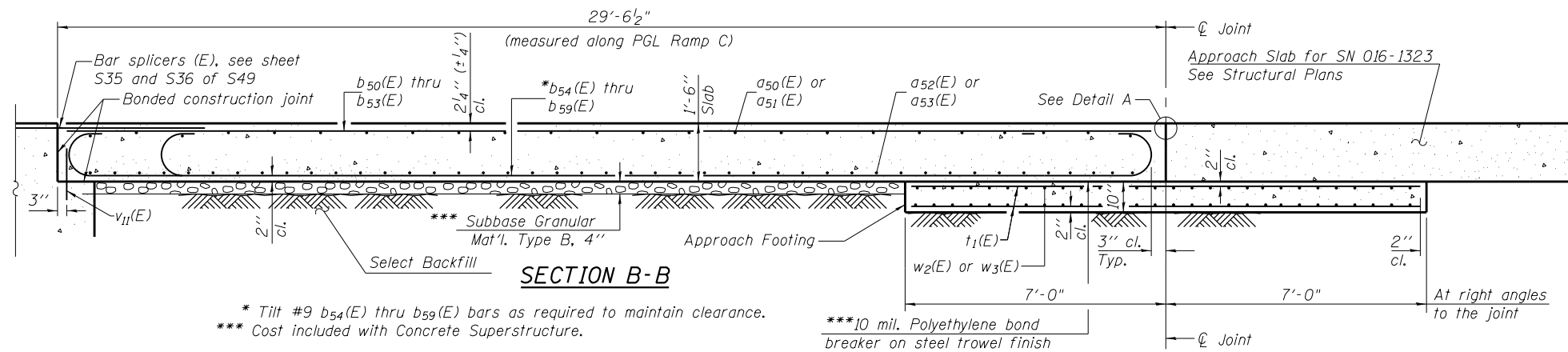


**WEST APPROACH
BILL OF MATERIAL**

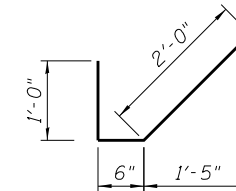
Bar	No.	Size	Length	Shape
a50(E)	31	#4	20'-4"	—
a51(E)	37	#4	17'-4"	—
a52(E)	64	#5	20'-4"	—
a53(E)	77	#5	17'-4"	—
a54(E)	58	#6	6'-6"	—
a55(E)	86	#4	3'-6"	✓
a56(E)	107	#4	3'-5"	┘
b50(E)	9	#4	31'-1"	—
b51(E)	9	#4	35'-6"	—
b52(E)	16	#4	21'-1"	—
b53(E)	16	#4	23'-1"	—
b54(E)	17	#10	29'-5"	┘
b55(E)	17	#10	32'-5"	┘
b56(E)	16	#10	35'-5"	┘
b57(E)	13	#10	38'-2"	┘
b58(E)	15	#10	40'-7"	┘
b59(E)	15	#10	43'-2"	┘
b60(E)	7	#4	19'-10"	—
b61(E)	7	#4	36'-4"	—
d(E)	85	#5	6'-10"	┘
d3(E)	85	#5	7'-11"	┘
e50(E)	28	#4	14'-5"	—
e51(E)	7	#4	14'-10"	—
e52(E)	1	#8	29'-1"	—
e53(E)	2	#8	24'-10"	—
e54(E)	1	#4	29'-1"	—
e55(E)	2	#4	23'-5"	—
t1(E)	78	#4	13'-8"	—
w2(E)	56	#5	20'-4"	—
w3(E)	56	#5	17'-4"	—
Concrete Superstructure			Cu. Yd.	88.2
Concrete Structures			Cu. Yd.	20.0
Bridge Deck Grooving			Sq. Yd.	130
Protective Coat			Sq. Yd.	280
Reinforcement Bars, Epoxy Coated			Pound	25,080

** Bend Reinforcement to fit in Field.

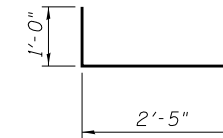


* Tilt #9 b54(E) thru b59(E) bars as required to maintain clearance.
*** Cost included with Concrete Superstructure.

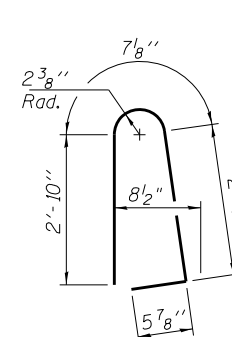
***10 mil. Polyethylene bond breaker on steel trowel finish



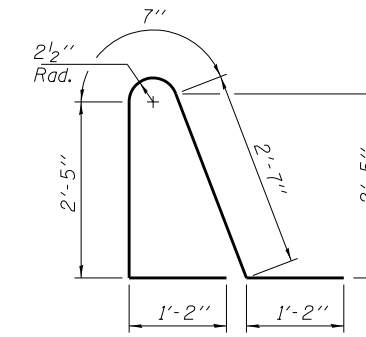
BAR a55(E)



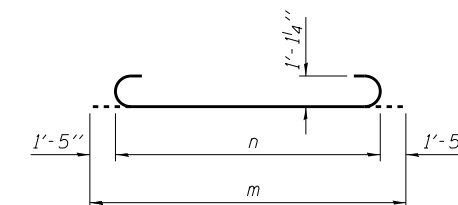
BAR a56(E)



BAR d(E)

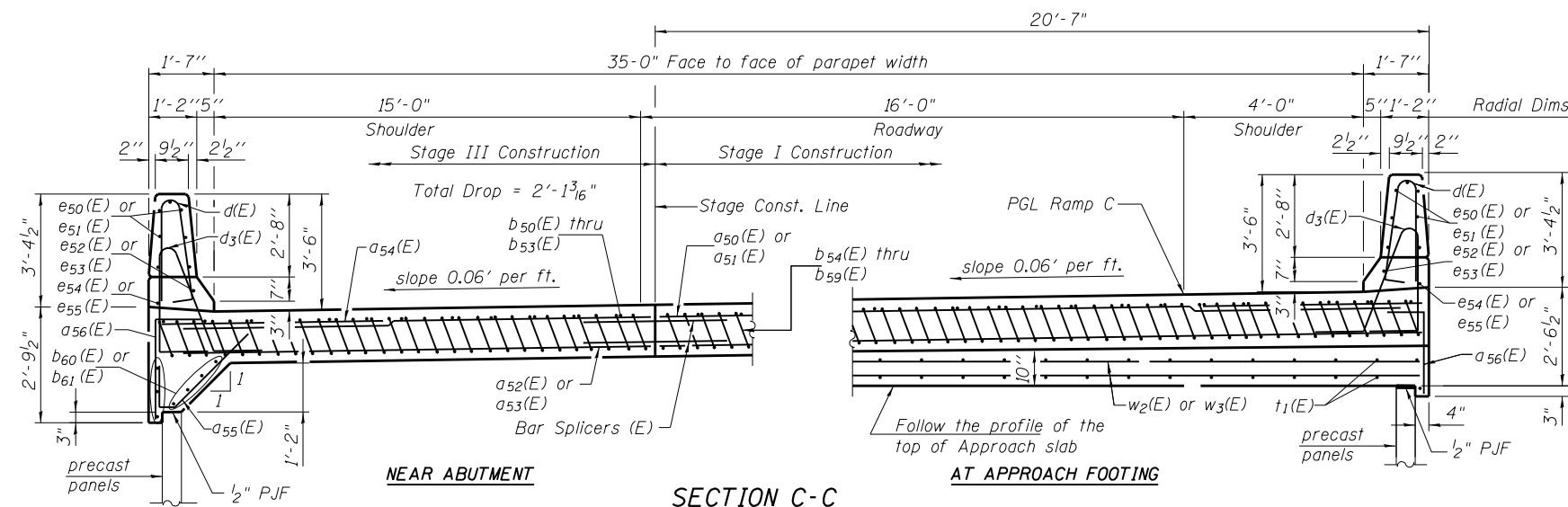


BAR d3(E)



See Table

Bar	m	n
b54(E)	29'-5"	26'-7"
b55(E)	32'-5"	29'-7"
b56(E)	35'-5"	32'-7"
b57(E)	38'-2"	35'-4"
b58(E)	40'-7"	37'-9"
b59(E)	43'-2"	40'-4"



NEAR ABUTMENT

SECTION C-C

(See Plan for dimensions not shown)

AT APPROACH FOOTING

Notes:
Approach slab and parapet concrete shall be paid for as Concrete Superstructure.
Approach footing concrete shall be paid for as Concrete Structures.
Reinforcement shall be paid for as Reinforcement Bars, Epoxy Coated.
Cost of excavation for approach footing included with Concrete Structures.
The approach footing maximum applied service bearing pressure (Qmax) = 2.0 ksf.
For parapet joint details, see sheet S17 of S49.
For v11(E) bar details, see sheets S35 thru S36 of S49.
For Select Backfill, see SN 016-1323 plans.
See sheet S41 of S49 for Detail A.
For bar splicer details, see sheet S43 of S49.

(Sheet 2 of 2)

USER NAME =	DESIGNED - MAH	REVISED
PLOT SCALE =	CHECKED - LDB	REVISED
PLOT DATE	DRAWN - DR	REVISED
	CHECKED - JMH	REVISED

F.A.P. RTE.	SECTION	COUNTY	TOTAL SHEETS	SHEET NO.
0383	0303-474HB-R	COOK	368	234
CONTRACT NO. 60F63			ILLINOIS FED. AID PROJECT	