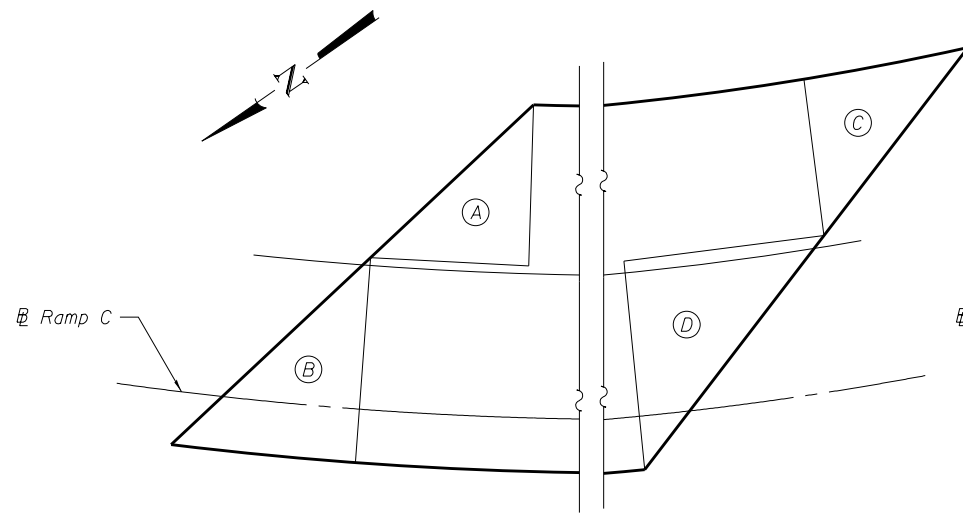


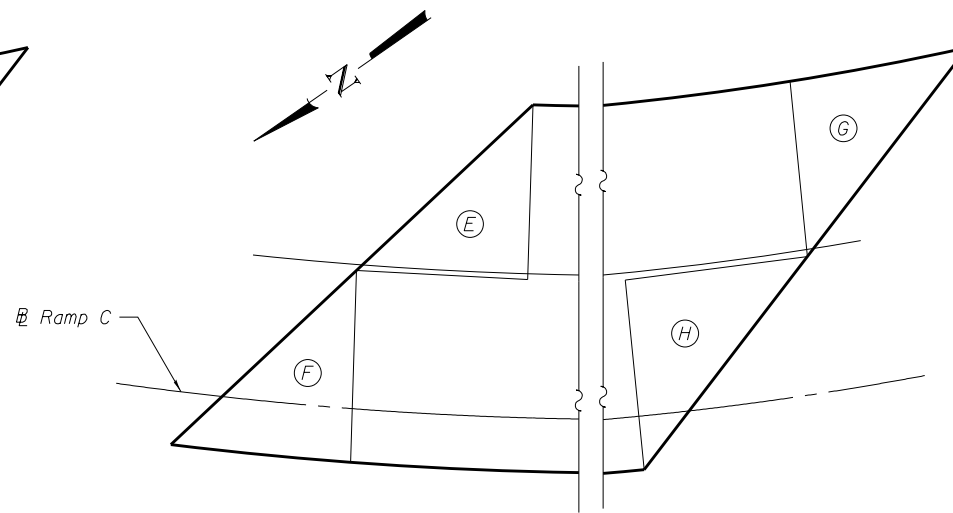
**SUPERSTRUCTURE
BILL OF MATERIAL**

Bar	No.	Size	Length	Shape
a100(E)	122	#5	20'-1"	—
a101(E)	136	#5	16'-5"	—
a102(E)	306	#6	6'-6"	—
a103(E)	7	#5	16'-11"	—
a104(E)	8	#5	21'-2"	—
a105(E)	11	#5	17'-0"	—
a106(E)	12	#5	19'-9"	—
a107(E)	9	#5	18'-4"	—
a108(E)	10	#5	21'-7"	—
a109(E)	15	#5	17'-4"	—
a110(E)	16	#5	21'-0"	—
a111(E)	4	#5	23'-9"	—
a112(E)	4	#5	19'-9"	—
a113(E)	4	#5	28'-6"	—
a114(E)	4	#5	24'-7"	—
a115(E)	12	#5	7'-1"	—
a116(E)	3	#5	7'-8"	—
a117(E)	12	#5	8'-2"	—
a118(E)	3	#5	8'-11"	—
a119(E)	3	#5	2'-8"	—
a120(E)	6	#5	3'-2"	—
a121(E)	3	#5	3'-4"	—
a122(E)	8	#5	2'-0"	—
a123(E)	260	#5	1'-2"	—
a124(E)	8	#5	1'-5"	—
a125(E)	8	#5	1'-9"	—
a126(E)	1	#5	20'-9"	—
a127(E)	1	#5	16'-0"	—
a128(E)	1	#5	24'-11"	—
a129(E)	1	#5	18'-10"	—
a180(E)	86	#5	19'-9"	—
a181(E)	95	#5	16'-1"	—
b100(E)	168	#5	25'-2"	—
b101(E)	99	#5	32'-5"	—
d100(E)	197	#5	6'-10"	—
d101(E)	96	#5	7'-3"	—
d102(E)	101	#5	7'-10"	—
e100(E)	7	#4	15'-1"	—
e101(E)	28	#4	14'-8"	—
e102(E)	7	#4	14'-3"	—
e103(E)	42	#4	13'-8"	—
e104(E)	6	#8	33'-6"	—
e105(E)	6	#4	31'-4"	—
x100(E)	32	#5	6'-8"	—
x101(E)	34	#5	4'-1"	—
x102(E)	32	#5	7'-0"	—
Protective Coat		Sq. Yd.	506	
Bridge Deck Grooving		Sq. Yd.	319	
Concrete Superstructure		Cu. Yd.	138.4	
Reinforcement Bars, Epoxy Coated		Pound	26,920	

* Extends 6" into closure pour.

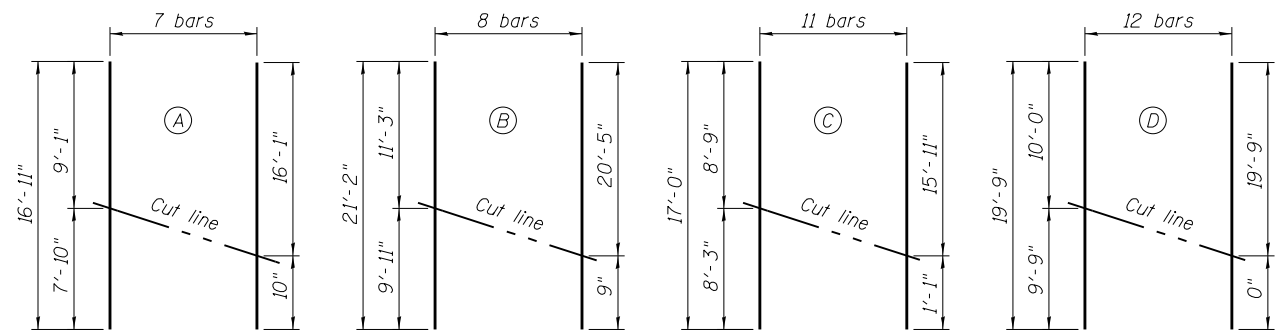


BOTTOM BAR PLAN



TOP BAR PLAN

BRIDGE CUT BAR LOCATION PLAN

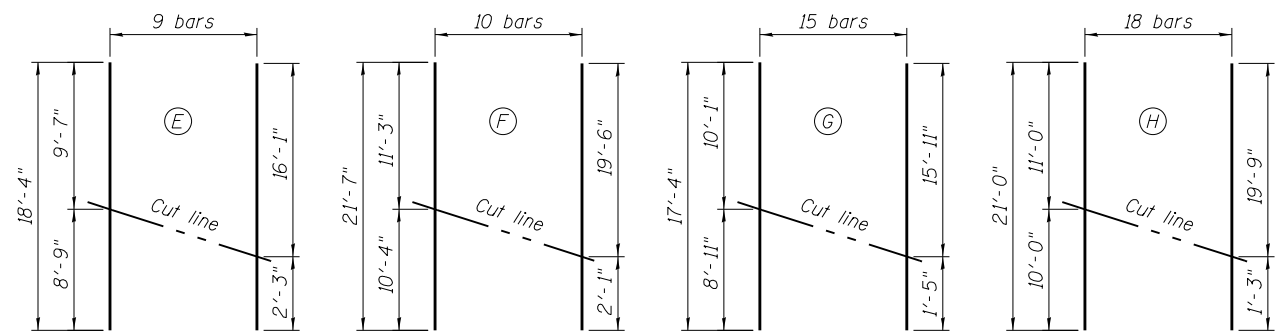


BAR a103(E)

BAR a104(E)

BAR a105(E)

BAR a106(E)

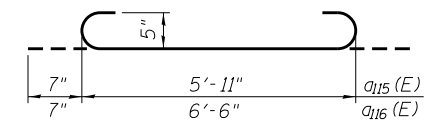


BAR a107(E)

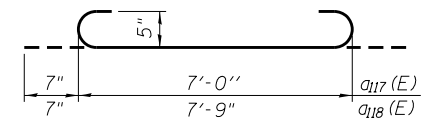
BAR a108(E)

BAR a109(E)

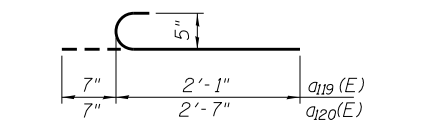
BAR a110(E)



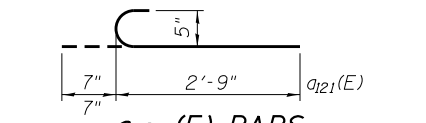
a115(E) & a116(E) BAR



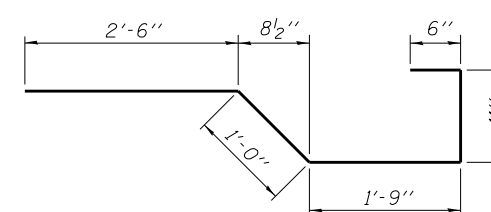
a117(E) & a118(E) BAR



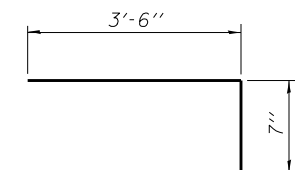
a119(E) & a120(E) BARS



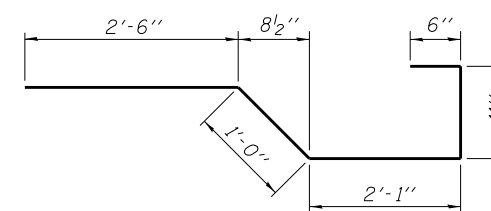
a121(E) BARS



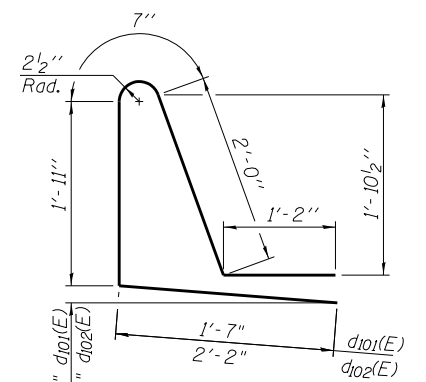
BAR x100(E)



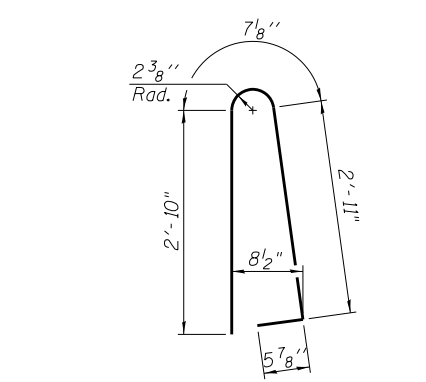
BAR x101(E)



BAR x102(E)



BARS d101(E) & d102(E)



BAR d100(E)