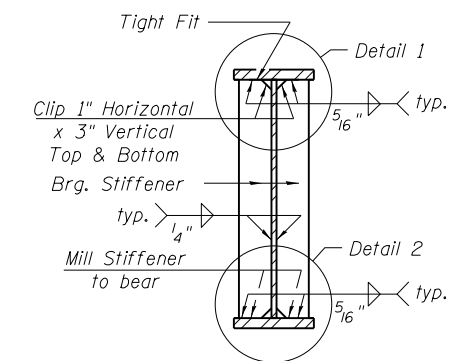
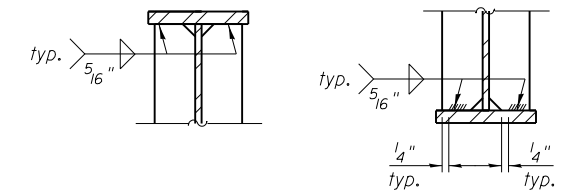


**GIRDER ELEVATION**  
 "NTR" denotes plates to which notch toughness requirements are applicable.



**SECTION AT ABUTMENT**



**DETAIL 1**

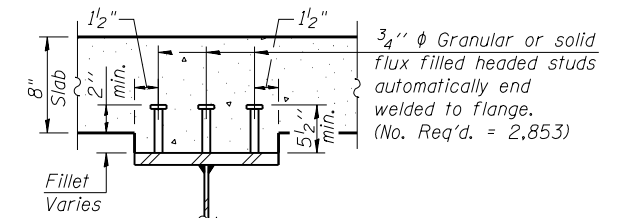
**DETAIL 2**

**SHEAR CONNECTOR SPACING**

GIRDER	n1	x1 (in.)
1	146	7
2	126	8
3	125	8
4	124	8
5	123	8
6	139	7
7	161	6

**GIRDER DIMENSIONS**

GIRDER	RADIUS	L
1	364'-6"	85'-6"
2	370'-4"	84'-6 1/8"
3	375'-8"	83'-8"
4	381'-0"	82'-10 3/4"
5	386'-4"	82'-2"
6	391'-8"	81'-6"
7	397'-0"	80'-10 3/8"



**SECTION A-A**

**Notes:**  
 All structural steel shall be AASHTO M270 Grade 50.  
 All bearing stiffeners, connection plates and gusset plates shall comply with NTR.  
 Load carrying components designated "NTR" shall conform to the Impact Testing Requirement, Zone 2.

G-1 7-1-10

**COLLINS ENGINEERS**  
 133 N. Wacker Dr.  
 Suite 900  
 Chicago, IL 60606  
 Tel: (312) 704-9300  
 Fax: (312) 704-9320  
 www.collinsengr.com  
 ILLINOIS PROFESSIONAL DESIGN FIRM LICENSE NO. 184-000993

USER NAME =	DESIGNED - AMS	REVISED
	CHECKED - LDB	REVISED
PLOT SCALE =	DRAWN - DR	REVISED
PLOT DATE =	CHECKED - JMH	REVISED

**STATE OF ILLINOIS  
 DEPARTMENT OF TRANSPORTATION**

**GIRDER ELEVATIONS  
 STRUCTURE NO. 016-1323**

SHEET NO. SR20 OF SR41 SHEETS

F.A.P. RTE.	SECTION	COUNTY	TOTAL SHEETS	SHEET NO.
0383	0303-474HB-R	COOK	368	261
CONTRACT NO. 60F63			ILLINOIS FED. AID PROJECT	