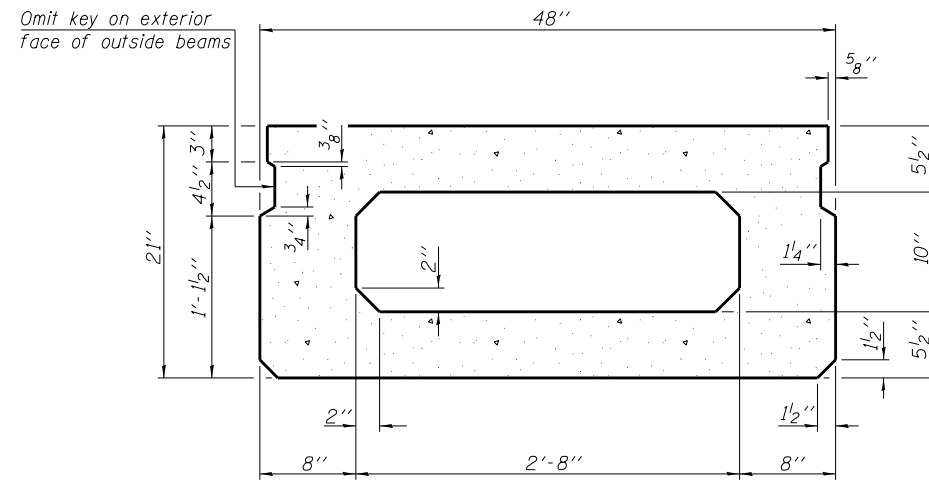
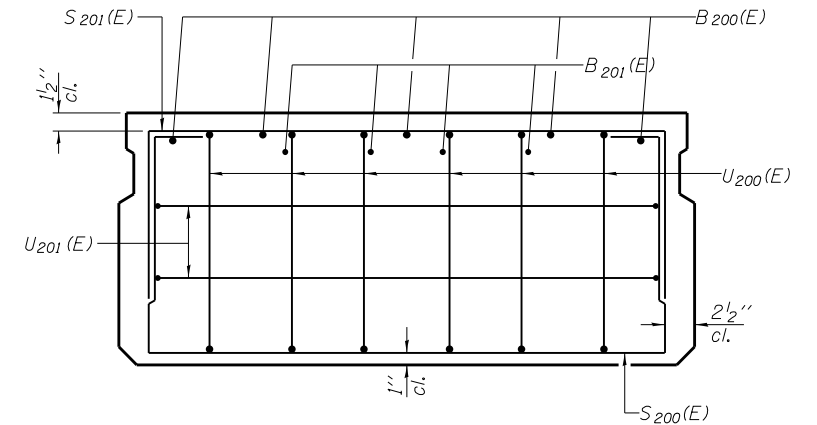


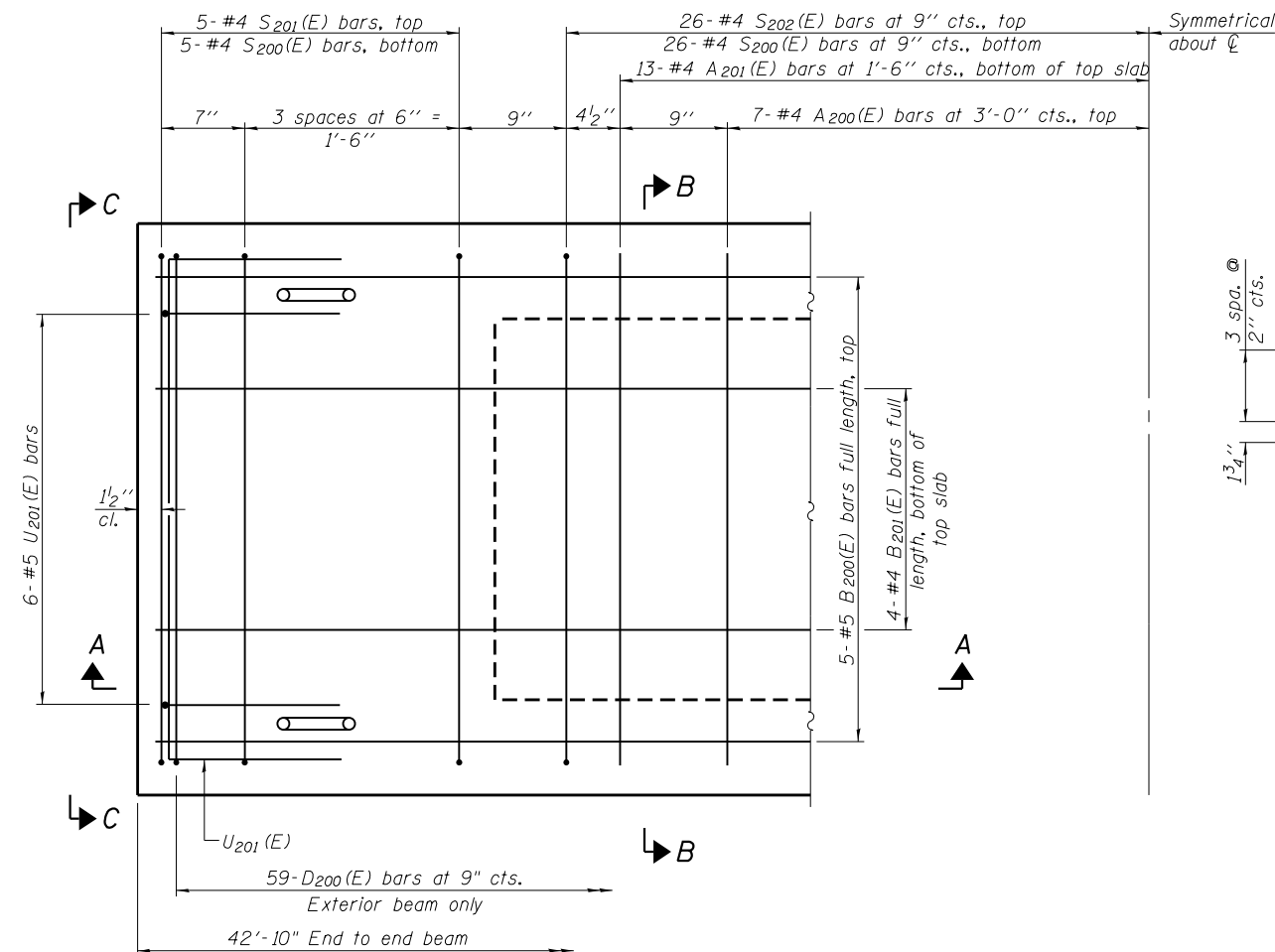
SECTION A-A



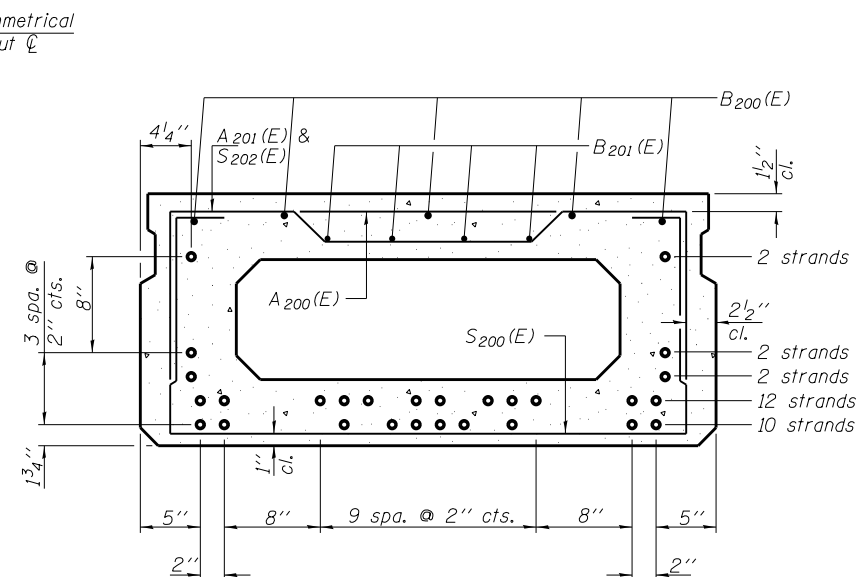
SECTION B-B
(Showing dimensions)



VIEW C-C

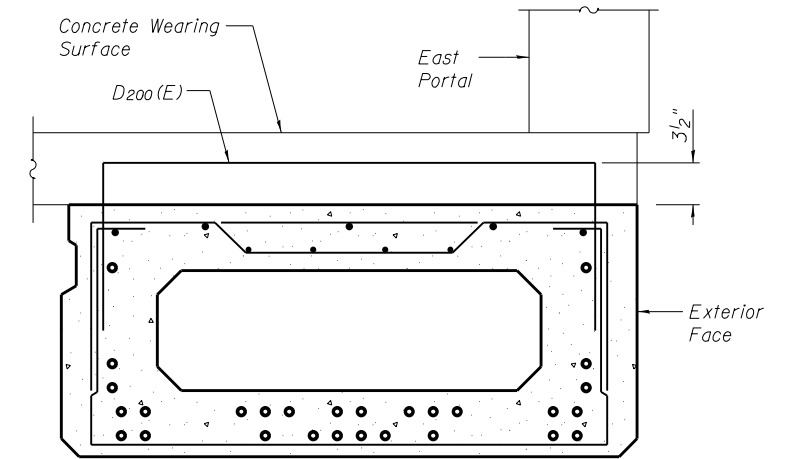


PLAN VIEW



SECTION B-B

(Showing reinforcement and permissible strand locations)
Note: Place the number of strands specified in each row symmetrically about the centerline of beam in the permissible strand locations shown.



SECTION THRU EXTERIOR BEAM

See Section B-B for strand pattern, dimensions and bar call outs.

BAR LIST
ONE BEAM ONLY
(For Information Only)

Bar	No.	Size	Length	Shape
A ₂₀₀ (E)	14	#4	3'-7"	—
A ₂₀₁ (E)	26	#4	3'-10"	~
B ₂₀₀ (E)	5	#5	42'-7"	—
B ₂₀₁ (E)	4	#4	42'-7"	—
* D ₂₀₀ (E)	59	#4	5'-11"	⌋
S ₂₀₀ (E)	62	#4	7'-5"	⌋
S ₂₀₁ (E)	10	#4	5'-11"	⌋
S ₂₀₂ (E)	52	#4	6'-2"	⌋
U ₂₀₀ (E)	12	#5	4'-0"	⌋
U ₂₀₁ (E)	4	#4	6'-0"	⌋

Note: See Sheet ST6 for additional details and Bill of Material.

* D₂₀₀(E) in Exterior Beam only.

MINIMUM BAR LAP

#4 bar = 2'-0"
#5 bar = 2'-6"

Note: Spacing of S₂₀₀(E) and S₂₀₂(E) bars may be adjusted up to 4" in the immediate area of the transverse tie diaphragms to miss the block outs for the transverse ties.

PD-2148-0

7-1-10

COLLINS ENGINEERS
133 N. Rocker Dr.
Suite 900
Chicago, IL 60646
Tel: (312) 704-9300
Fax: (312) 704-9320
www.collinseng.com
ILLINOIS PROFESSIONAL DESIGN FIRM LICENSE NO. 184-000993

USER NAME =	DESIGNED - EKM	REVISED
PLOT SCALE =	CHECKED - LDB	REVISED
PLOT DATE =	DRAWN - PRH	REVISED
	CHECKED - EKM	REVISED

STATE OF ILLINOIS
DEPARTMENT OF TRANSPORTATION

21' x 48" PPC DECK BEAM
STRUCTURE NO. 016-2573

SHEET NO. ST5 OF ST30 SHEETS

F.A.I. RTÉ.	SECTION	COUNTY	TOTAL SHEETS	SHEET NO.
90/94	0303-474HB-R	COOK	368	287
CONTRACT NO. 60F63			ILLINOIS FED. AID PROJECT	