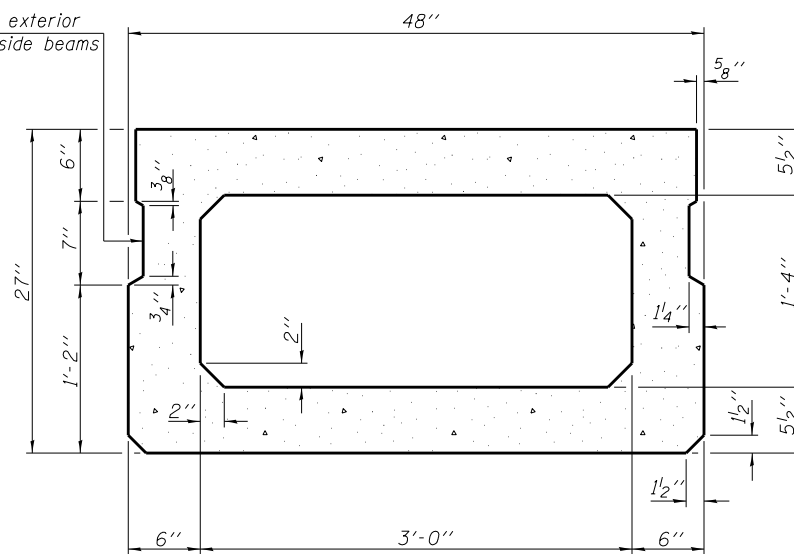


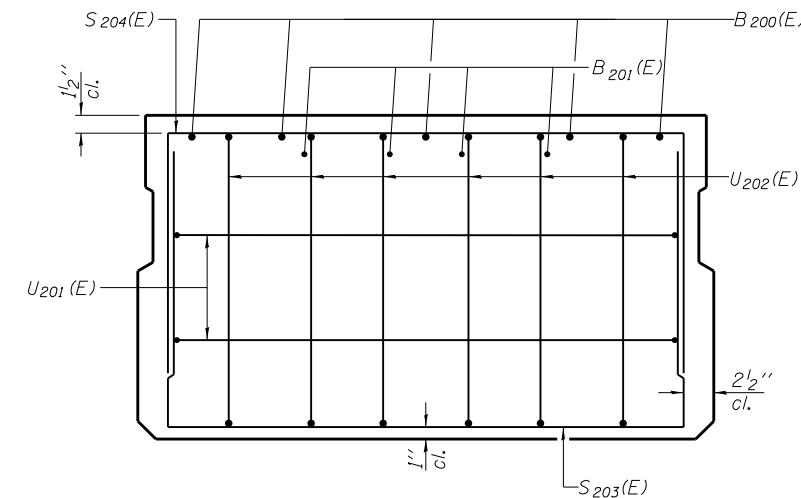
**SECTION A-A**

Omit key on exterior face of outside beams

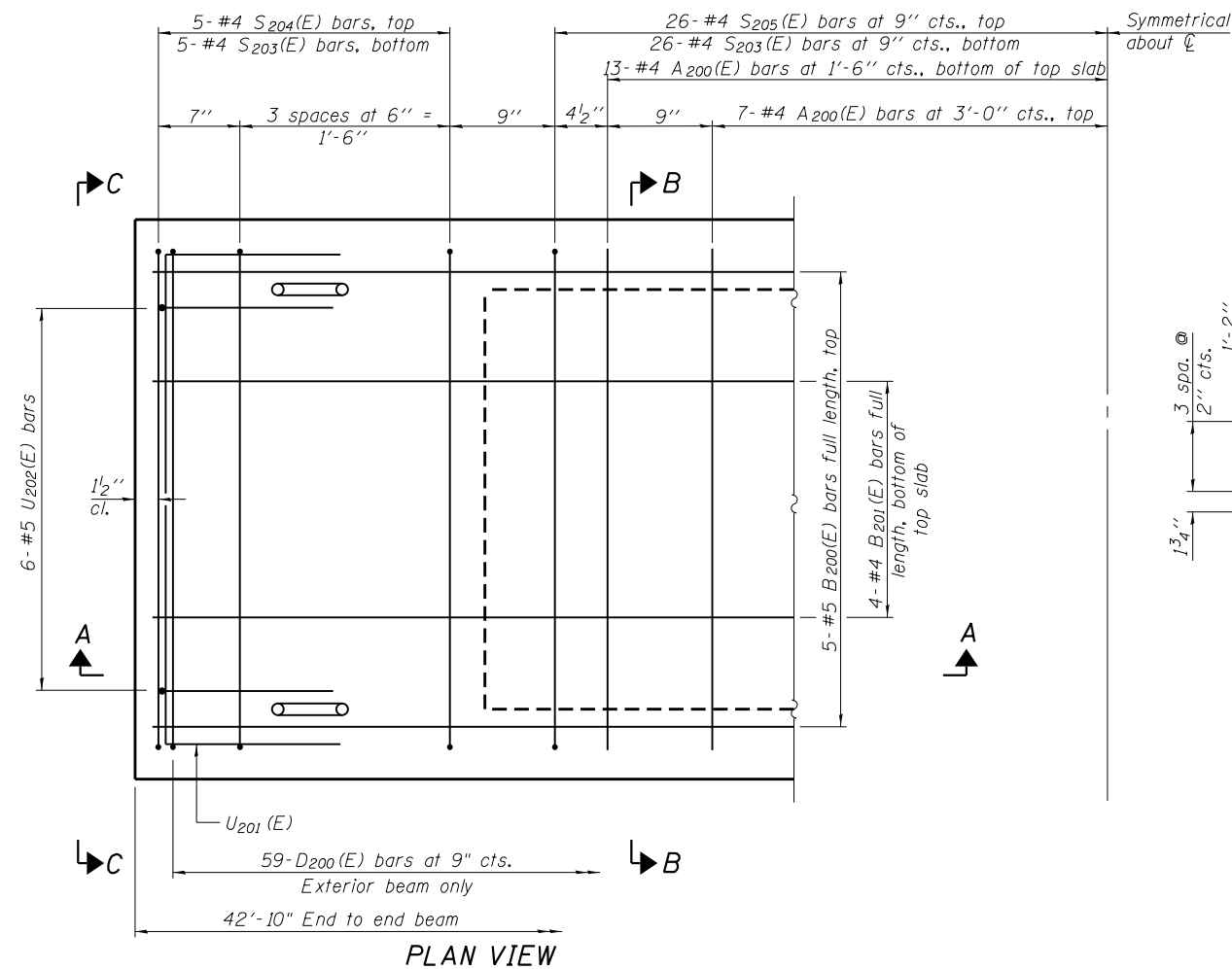


**SECTION B-B**

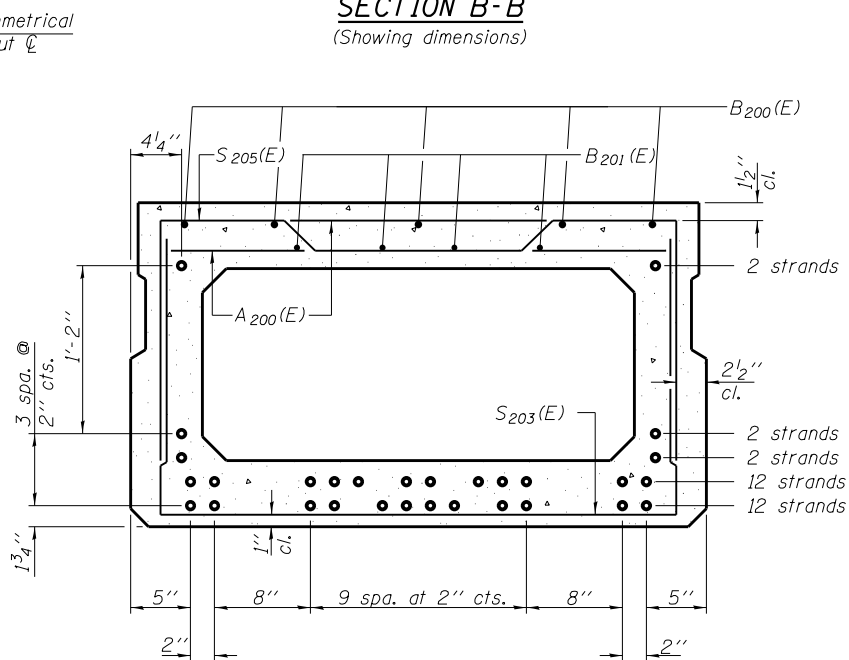
(Showing dimensions)



**VIEW C-C**



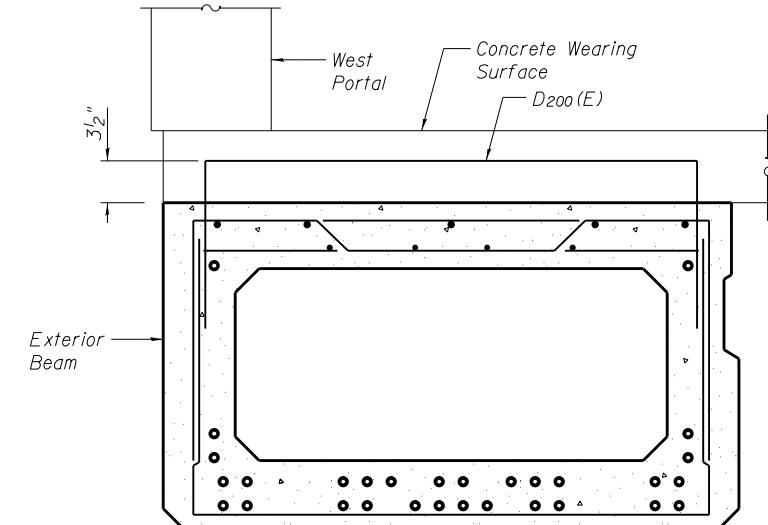
Symmetrical about  $\bar{C}$



**SECTION B-B**

(Showing reinforcement and permissible strand locations)

Note: Place the number of strands specified in each row symmetrically about the centerline of beam in the permissible strand locations shown.



**SECTION THRU EXTERIOR BEAM**

See Section B-B for strand pattern, dimensions and bar call outs.

**BAR LIST**

**ONE BEAM ONLY**

(For information only)

Bar	No.	Size	Length	Shape
A 200(E)	40	#4	3'-7"	—
B 200(E)	5	#5	42'-7"	—
B 201(E)	4	#4	42'-7"	—
* D 200(E)	59	#4	5'-11"	—
S 203(E)	62	#4	7'-5"	U
S 204(E)	10	#4	6'-11"	U
S 205(E)	52	#4	7'-2"	U
U 201(E)	4	#4	6'-0"	U
U 202(E)	12	#5	4'-6"	C

Note: See Sheet ST8 for additional details and Bill of Material.

\* D 200(E) in Exterior Beam only.

**MINIMUM BAR LAP**

#4 bar = 2'-0"  
#5 bar = 2'-6"

Note: Spacing of S203(E) and S205(E) bars may be adjusted up to 4" in the immediate area of the transverse tie diaphragms to miss the block outs for the transverse ties.

PD-2748-0

7-1-10

**COLLINS ENGINEERS**  
133 N. Wacker Dr.  
Suite 900  
Chicago, IL 60606  
Tel: (312) 704-3300  
Fax: (312) 704-9320  
www.collinsengr.com  
ILLINOIS PROFESSIONAL DESIGN FIRM LICENSE NO. 184-000993

USER NAME =	DESIGNED - EKM	REVISED
	CHECKED - LDB	REVISED
PLOT SCALE =	DRAWN - PRH	REVISED
PLOT DATE =	CHECKED - EKM	REVISED

**STATE OF ILLINOIS**  
**DEPARTMENT OF TRANSPORTATION**

**27" x 48" PPC DECK BEAM**  
**STRUCTURE NO. 016-2573**

SHEET NO. ST7 OF ST30 SHEETS

F.A.I. RTÉ.	SECTION	COUNTY	TOTAL SHEETS	SHEET NO.
90/94	0303-474HB-R	COOK	368	289
CONTRACT NO. 60F63			ILLINOIS FED. AID PROJECT	