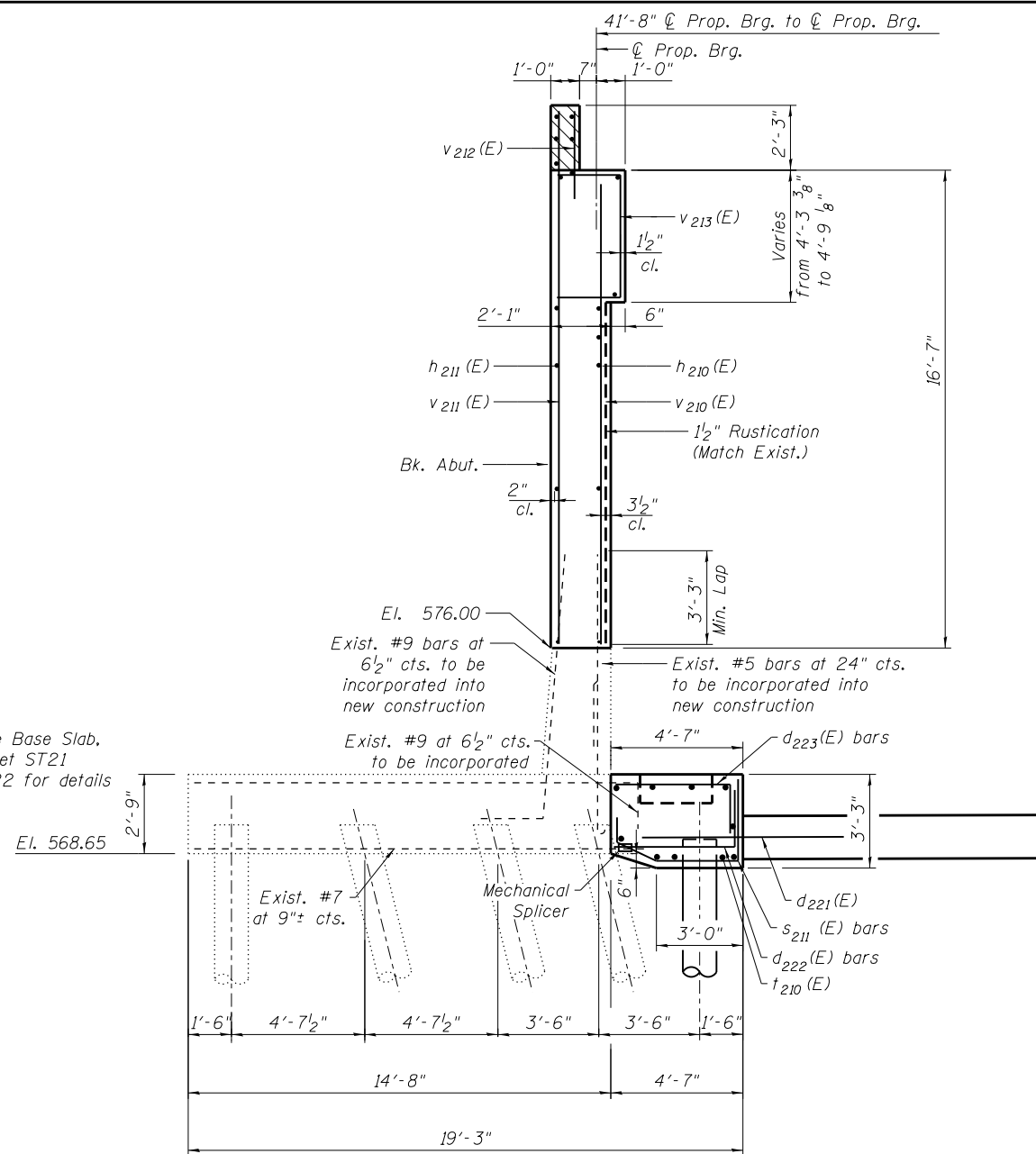
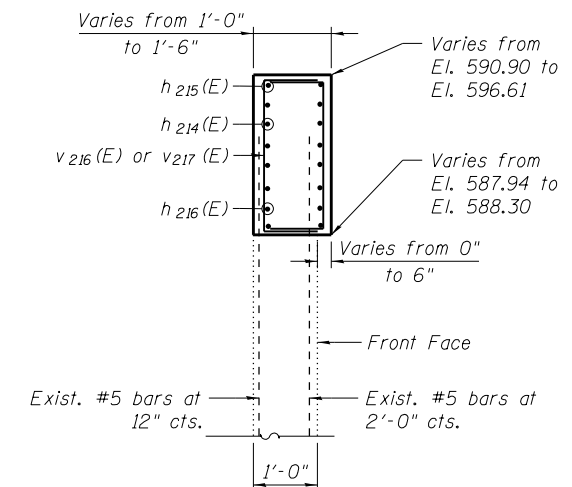


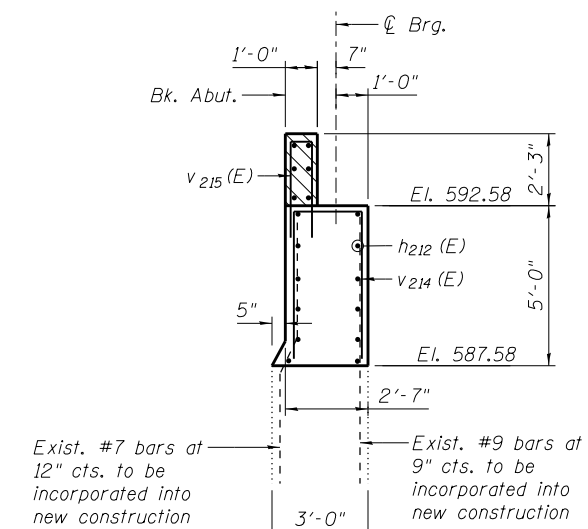
SECTION H-H



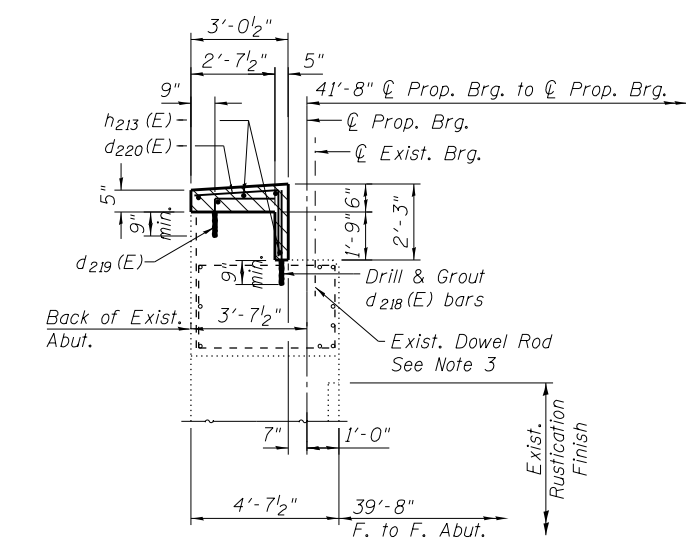
SECTION J-J



SECTION E-E



SECTION C1-C1



SECTION D-D

See Sheet ST15 for Location

- Notes:
- Existing reinforcement shall be cleaned and incorporated into the new construction. Any reinforcement bars that are damaged during concrete removal operations shall be repaired or replaced using an approved bar splicer or anchorage system. Cost included with Concrete Removal.
 - Drill and epoxy grout bars into existing structure according to Section 584 of the Standard Specifications. Drilling and Grouting of bars is included with Concrete Structures.
 - The existing dowel rods shall be burned or cut flush with the existing bearing seat, ground smooth and sealed with epoxy. The cost of this work shall be included with Concrete Removal.
 - See Sheet ST19 for Geocomposite Wall Drain and Pipe Underdrains detail.

LEGEND

Indicates Concrete to be poured after PPC Deck Beams are in place with transverse tie assembly and dowel rods installed. The cost is included with Concrete Superstructure.

USER NAME =	DESIGNED - EKM	REVISED
	CHECKED - LDB	REVISED
PLOT SCALE =	DRAWN - PRH	REVISED
PLOT DATE =	CHECKED - EKM	REVISED

F.A.I. R.T.E.	SECTION	COUNTY	TOTAL SHEETS	SHEET NO.
90/94	0303-474HB-R	COOK	368	298
CONTRACT NO. 60F63				
ILLINOIS FED. AID PROJECT				