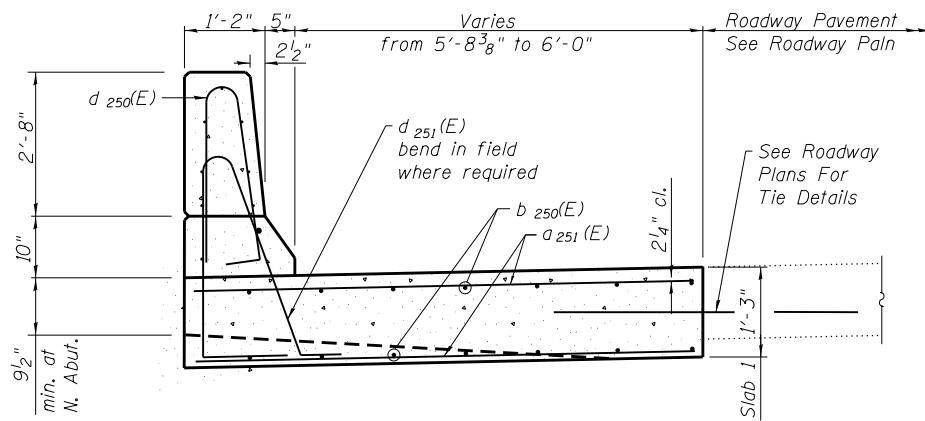
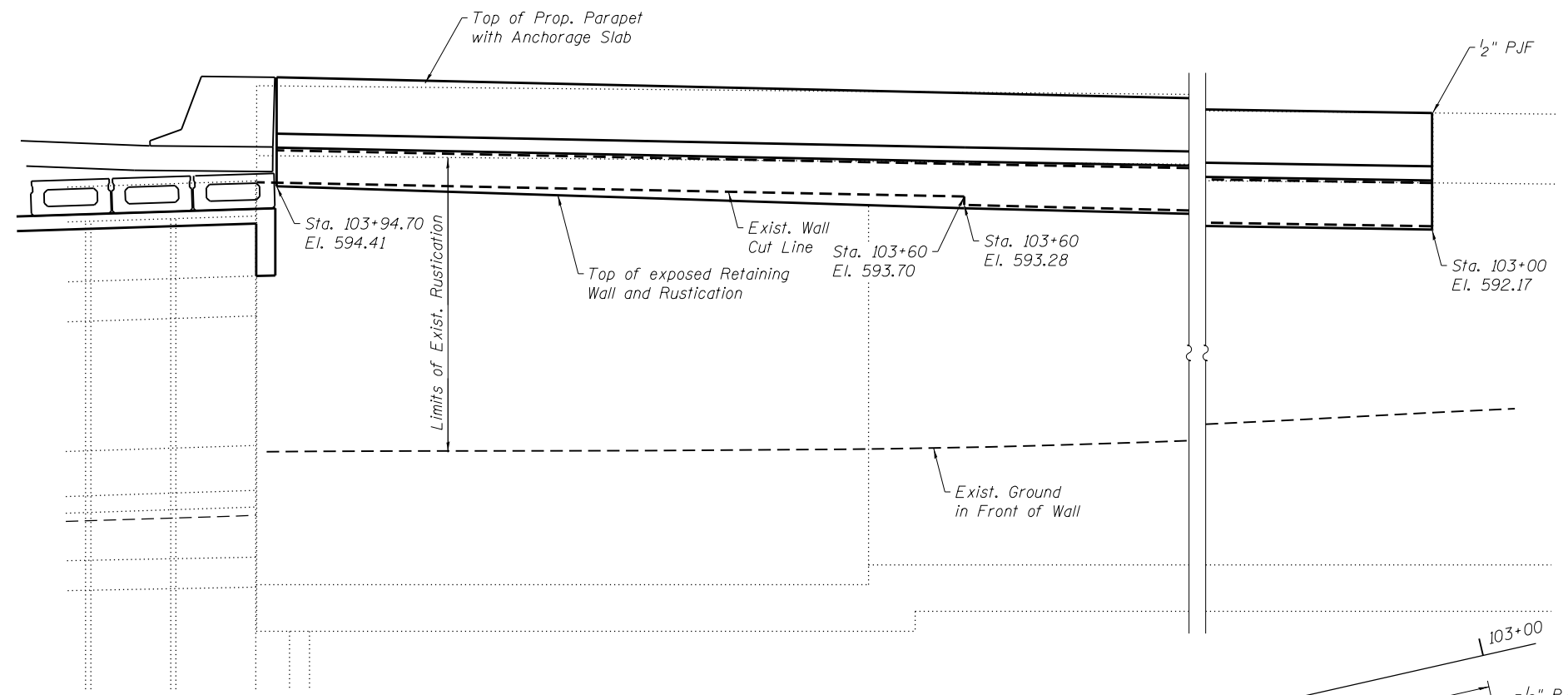


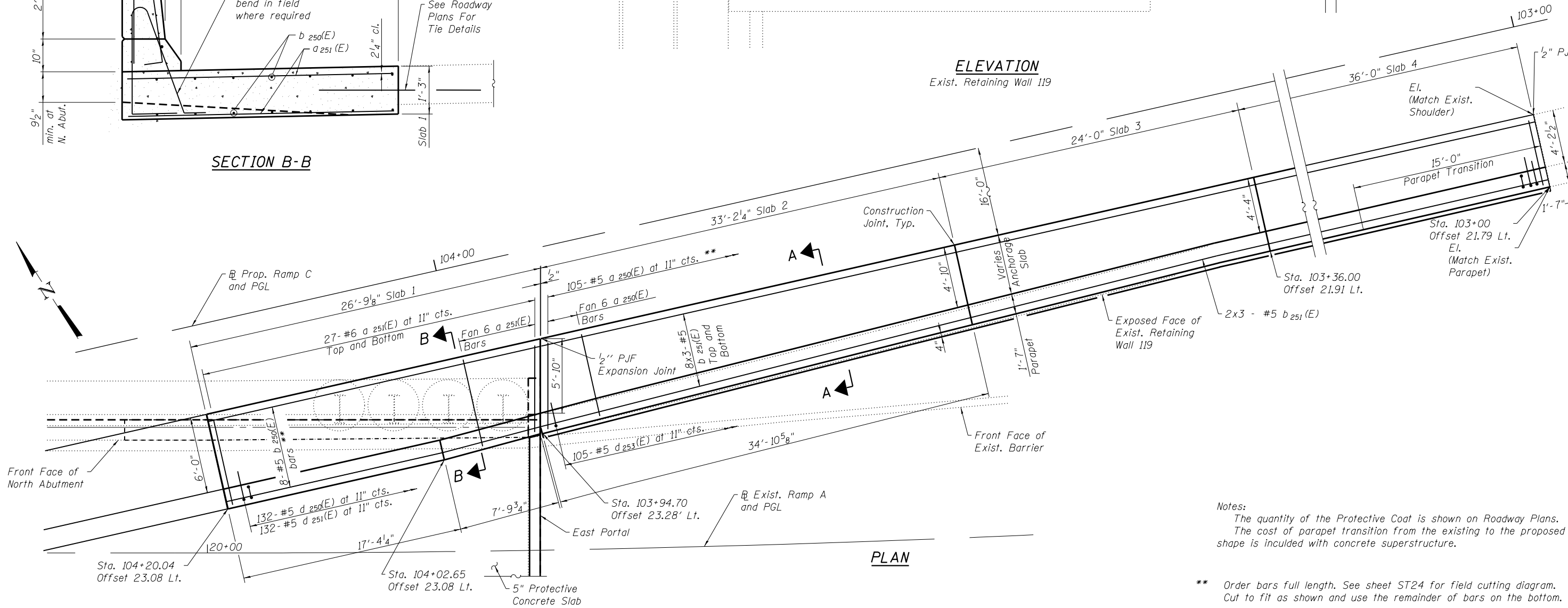
SECTION A-A



SECTION B-B



ELEVATION
Exist. Retaining Wall 119



PLAN

Notes:
The quantity of the Protective Coat is shown on Roadway Plans.
The cost of parapet transition from the existing to the proposed shape is included with concrete superstructure.

** Order bars full length. See sheet ST24 for field cutting diagram.
Cut to fit as shown and use the remainder of bars on the bottom.

USER NAME =	DESIGNED - EKM	REVISED
PLOT SCALE =	CHECKED - LDB	REVISED
PLOT DATE =	DRAWN - PRH	REVISED
	CHECKED - EKM	REVISED

F.A.I. RTE.	SECTION	COUNTY	TOTAL SHEETS	SHEET NO.
90/94	0303-474HB-R	COOK	368	305
CONTRACT NO. 60F63				
ILLINOIS FED. AID PROJECT				