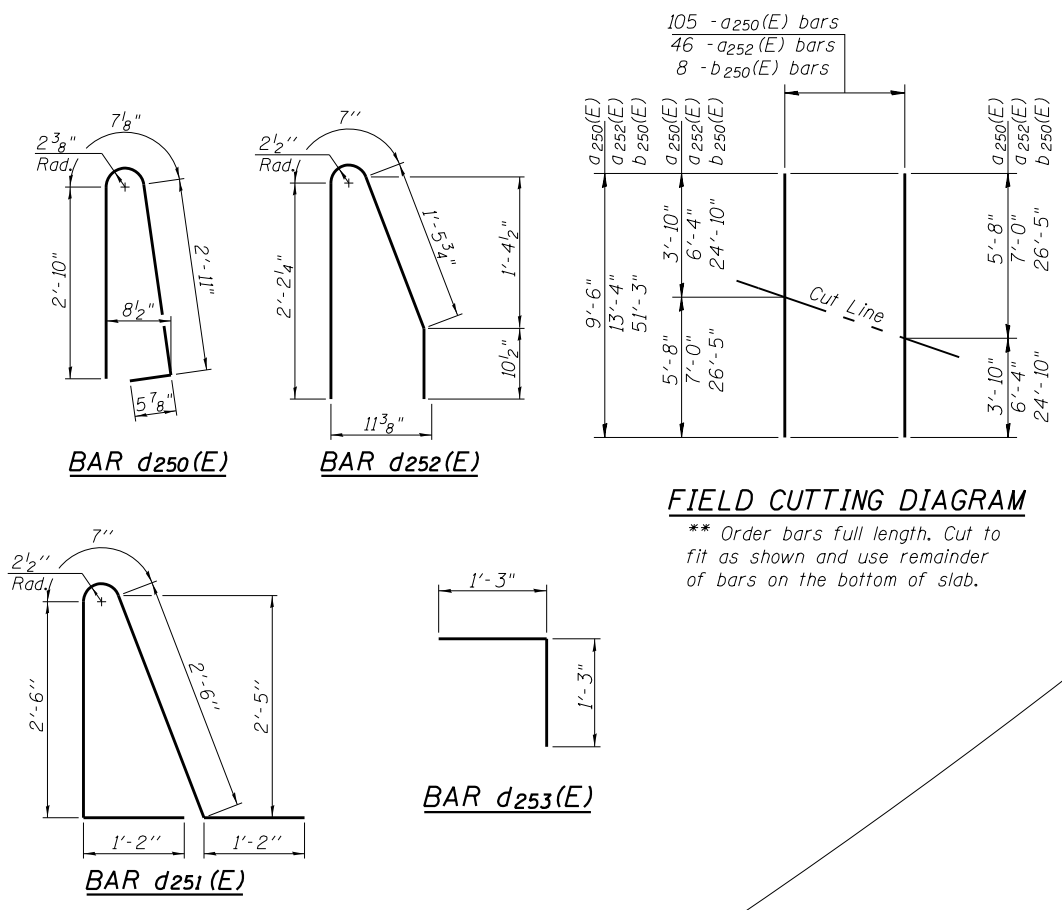


**SECTION THRU PARAPET AND ANCHORAGE SLAB**

\*\*\* Core and set #5 d252(E) bar according to Article 509.06 of the Standard Specifications. Cored holes shall be roughened or scored per manufacturer's recommendations. Maximum depth of hole shall not exceed 9"

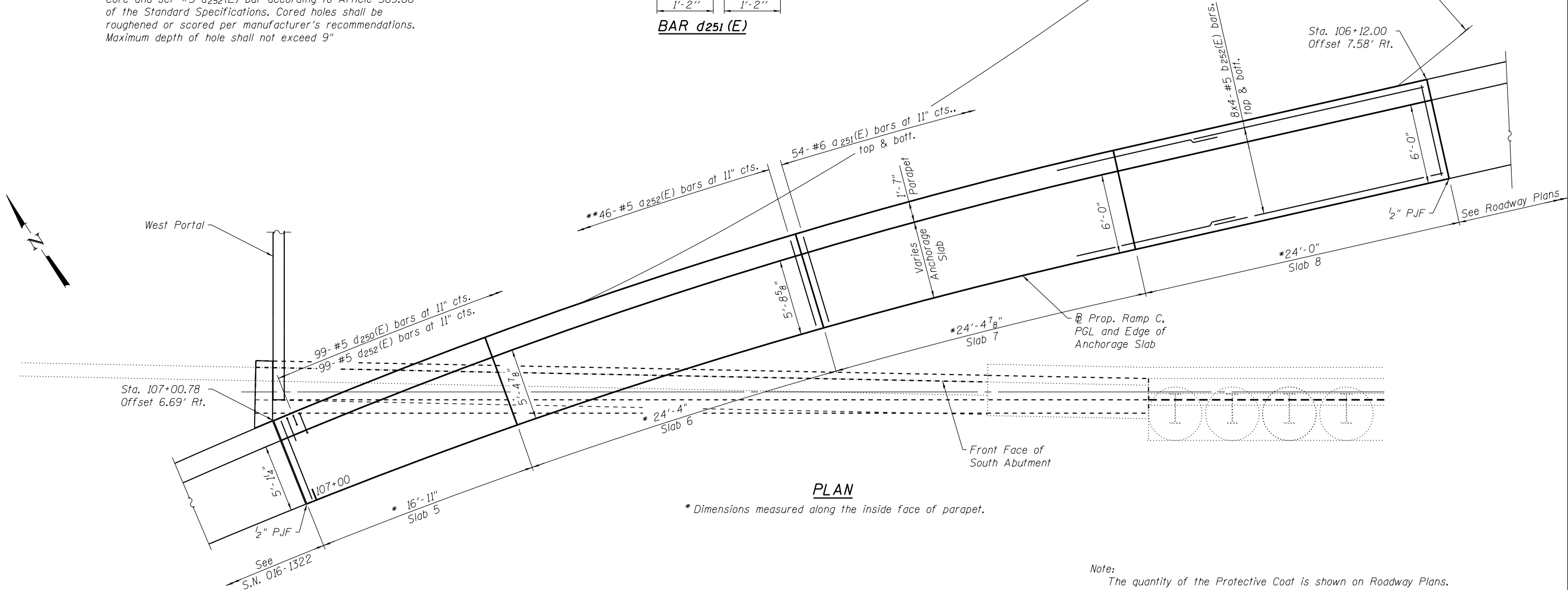


**FIELD CUTTING DIAGRAM**

\*\* Order bars full length. Cut to fit as shown and use remainder of bars on the bottom of slab.

**BILL OF MATERIAL**

Bar	No.	Size	Length	Shape
a 250(E)	105	#5	9'-6"	U
a 251(E)	162	#5	7'-3"	U
a 252(E)	46	#6	13'-4"	U
b 250(E)	8	#5	51'-3"	U
b 251(E)	54	#5	34'-1"	U
b 252(E)	64	#5	25'-2"	U
d 250(E)	231	#5	6'-10"	U
d 251(E)	132	#5	7'-11"	U
d 252(E)	99	#5	5'-2"	U
d 253(E)	105	#5	2'-6"	U
Concrete Superstructure			Cu. Yd.	117.5
Reinforcement Bars, Epoxy Coated			Pound	10,760



**PLAN**

\* Dimensions measured along the inside face of parapet.

Note: The quantity of the Protective Coat is shown on Roadway Plans.

**COLLINS ENGINEERS**  
133 N. Rocker Dr.  
Suite 900  
Chicago, IL 60646  
Tel: (312) 704-3300  
Fax: (312) 704-9320  
www.collinsengr.com  
ILLINOIS PROFESSIONAL DESIGN FIRM LICENSE NO. 184-000993

USER NAME =	DESIGNED - EKM	REVISED
PLOT SCALE =	CHECKED - LDB	REVISED
PLOT DATE =	DRAWN - PRH	REVISED
	CHECKED - EKM	REVISED

**STATE OF ILLINOIS  
DEPARTMENT OF TRANSPORTATION**

**PARAPET AND ANCHORAGE SLAB II  
STRUCTURE NO. 016-2573**  
SHEET NO. ST24 OF ST30 SHEETS

F.A.I. RT.:	SECTION	COUNTY	TOTAL SHEETS	SHEET NO.
90/94	0303-474HB-R	COOK	368	306
CONTRACT NO. 60F63			ILLINOIS FED. AID PROJECT	