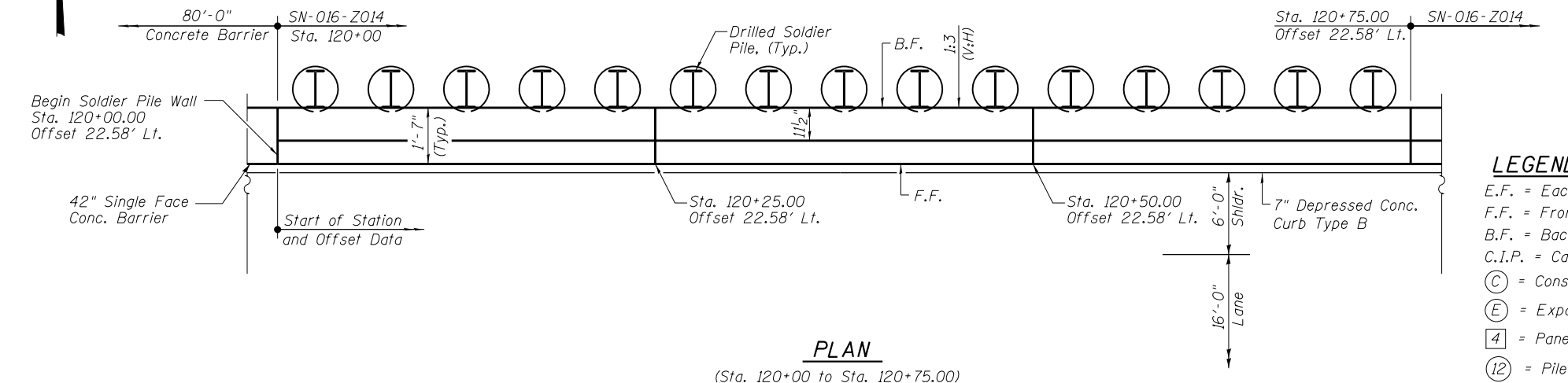


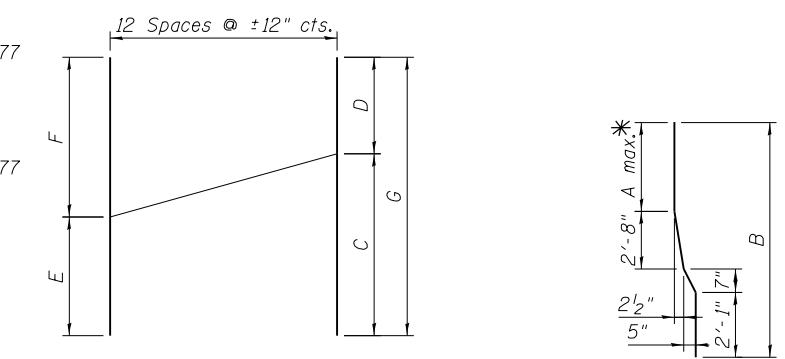
ELEVATION
(Looking at F.F. of Wall)
(Sta. 120+00 to Sta. 120+75.00)



PLAN
(Sta. 120+00 to Sta. 120+75.00)

- Notes:
1. Wall dimensions are measured along F.F. of wall. See sheet SW1 for location.
 2. Stations and offsets for the wall are given from the Ramp C to the F.F. of wall.
 3. Fan Horizontal bars (h Bars) at 12" cts. max.

REINFORCEMENT BAR LIST				
Bar	No.	Size	Length	Shape
h _{300(E)}	50	#6	24'-8"	—
v _{300(E)}	26	#6	6'-5"	—
v _{301(E)}	13	#6	11'-5"	—
v _{302(E)}	26	#6	7'-5"	—
v _{303(E)}	13	#6	13'-6"	—
v _{304(E)}	26	#6	8'-8"	—
v _{305(E)}	13	#6	15'-9"	—



BARS v₃₀₁(E), v₃₀₃(E), v₃₀₅(E)

Bar	C	D	E	F	G
v ₃₀₁ (E)	6'-3"	5'-2"	5'-9"	5'-8"	11'-5"
v ₃₀₃ (E)	7'-3"	6'-3"	6'-10"	6'-8"	13'-6"
v ₃₀₅ (E)	8'-6"	7'-3"	8'-0"	7'-9"	15'-9"

BARS v₃₀₀(E), v₃₀₂(E), v₃₀₄(E)

Bar	A	B
v ₃₀₀ (E)	11"	6'-3"
v ₃₀₂ (E)	1'-11"	7'-3"
v ₃₀₄ (E)	3'-2"	8'-6"

BAR CUTTING DIAGRAM

* Order Bars Full Length, Cut to Fit

* Cut in Field to Fit

BILL OF MATERIAL		
DESCRIPTION	UNIT	QUANTITY
Structure Excavation	Cu. Yd.	82.2
Concrete Structures	Cu. Yd.	24.2
Stud Shear Connectors	Each	148
Reinforcement Bars, Epoxy Coated	Pound	3,532
Concrete Sealer	Sq. Ft.	466
Geocomposite Wall Drain	Sq. Yd.	18
Untreated Timber Lagging	Sq. Ft.	407
Furnishing Soldier Piles (W Section)	Foot	771
Pipe Underdrains for Structures 4"	Foot	75
Drilling and Setting Soldier Piles (In Soil)	Cu. Ft.	5,436

- LEGEND**
- E.F. = Each face
 - F.F. = Front Face
 - B.F. = Back Face
 - C.I.P. = Cast-In-Place
 - (C) = Construction Joint
 - (E) = Expansion Joint
 - (4) = Panel Numbers
 - (12) = Pile Numbers

NOTE:
For Top of Pile Elevations & Pile Tip Elevations, see Soldier Pile Schedule, Sht. SW9.



USER NAME =	DESIGNED - GFP	REVISED -
	CHECKED - GMK	REVISED -
PLOT SCALE =	DRAWN - GFP	REVISED -
PLOT DATE =	DATE - 3/5/2013	REVISED -

STATE OF ILLINOIS
DEPARTMENT OF TRANSPORTATION

PLAN AND ELEVATION (STA. 120+00.00 TO 120+75.00)
STRUCTURE NO. 016-2014

F.A.I. R.T.E.	SECTION	COUNTY	TOTAL SHEETS	SHEET NO.
90/94	0303-474HB-R	COOK	368	316
CONTRACT NO. 60F63			ILLINOIS FED. AID PROJECT	

SHEET NO. SW4 OF SW11 SHEETS