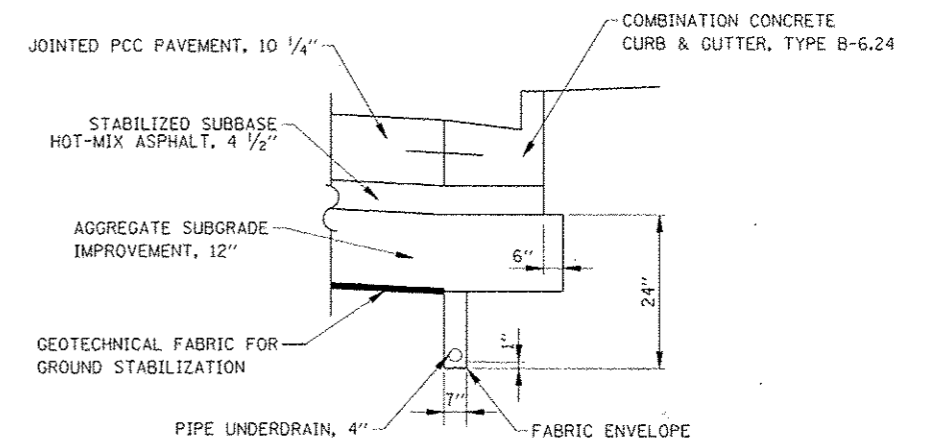
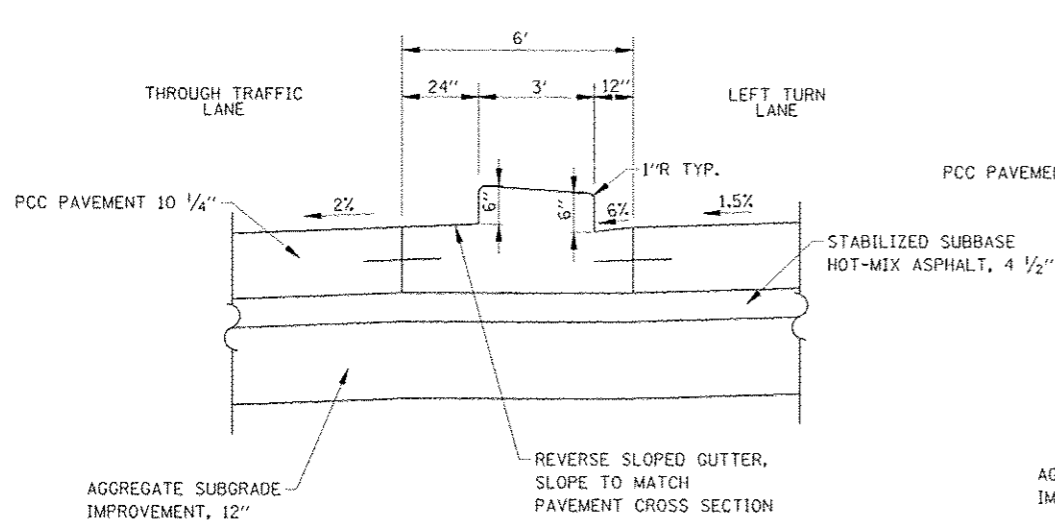


PLAN

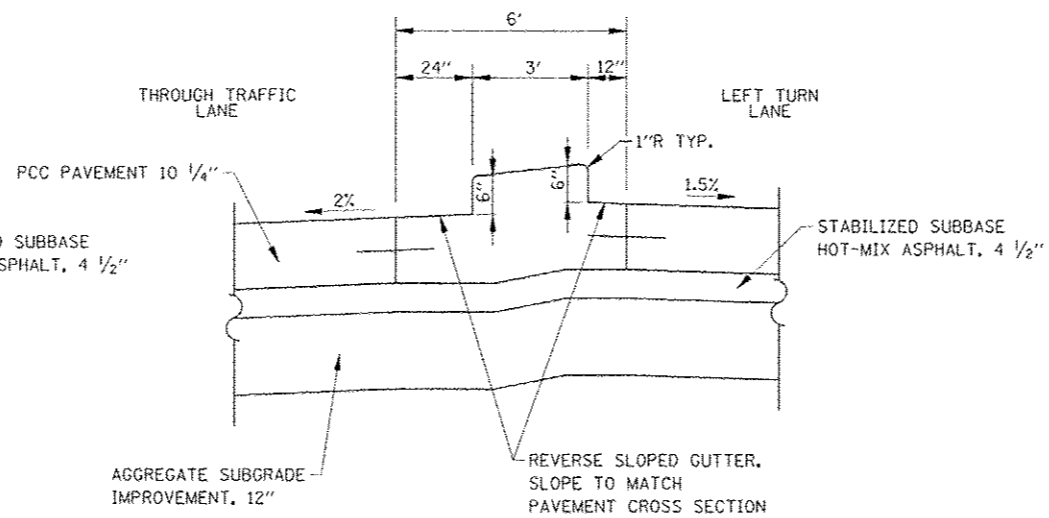


PIPE UNDERDRAIN, FABRIC LINED TRENCH 4"



SECTION A-A

CONCRETE MEDIAN TYPE SB-6 (SPECIAL)  
AT DOUBLE LEFT TURN LANE



SECTION A-A

CONCRETE MEDIAN TYPE SB-6 (SPECIAL)  
AT SINGLE LEFT TURN LANE

NOTES

1. CONCRETE MEDIAN, TYPE SB-6.24 & CONCRETE MEDIAN, TYPE SB-6 (SPECIAL) SHALL BE POURED MONOLITHICALLY.

FILE NAME	USER NAME - #USER#	DESIGNED PJO	REVISED -	<b>STATE OF ILLINOIS DEPARTMENT OF TRANSPORTATION</b>	<b>TYPICAL SECTION DETAILS</b>		F.A.P. RTE.	SECTION	COUNTY	TOTAL SHEETS	SHEET NO.	
FILE#	PLOT SCALE - #SCALE#	DRAWN KES	REVISED -		SCALE:	SHEET NO. 1 OF 1 SHEETS	STA.	338	(112 & 113) WRS-5	DUPAGE	963	64
	PLOT DATE - #DATE#	CHECKED JCM	REVISED -				TO STA.	CONTRACT NO. 60131				
		DATE 10/15/2012	REVISED -		ILLINOIS FED. AID PROJECT							