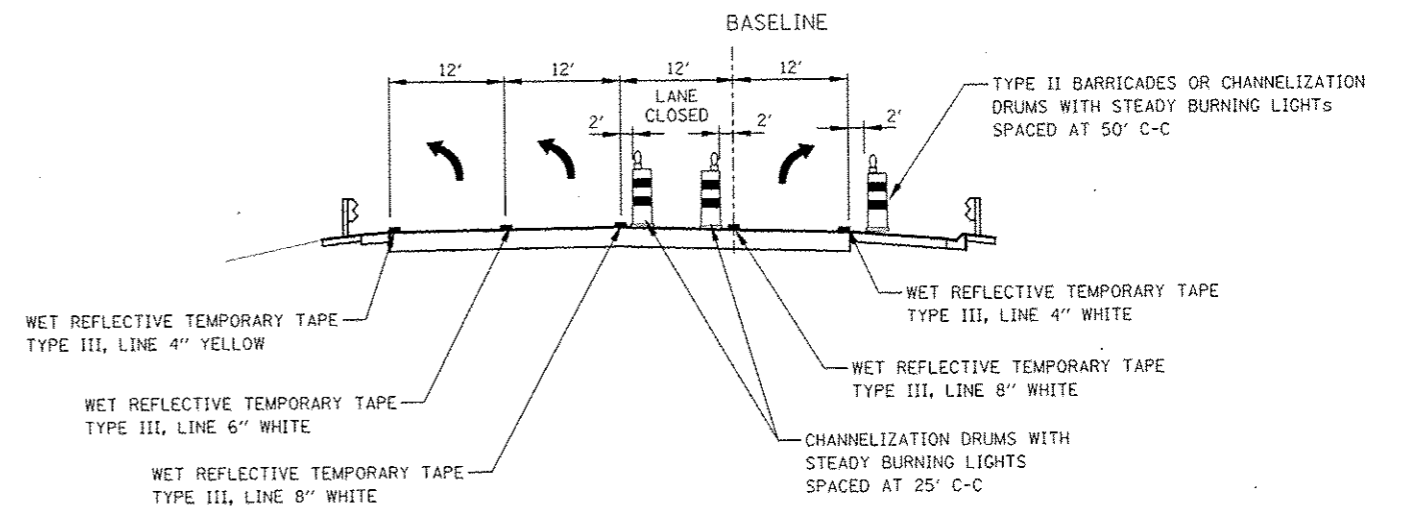
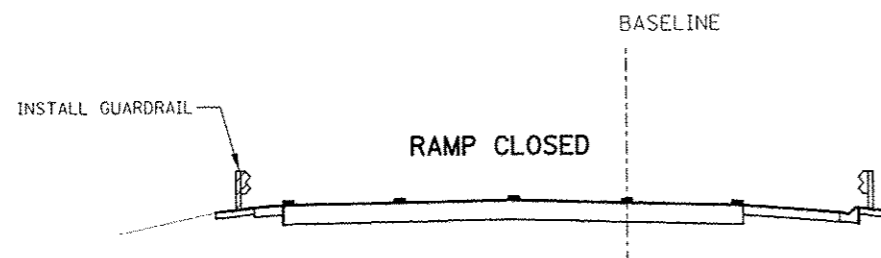


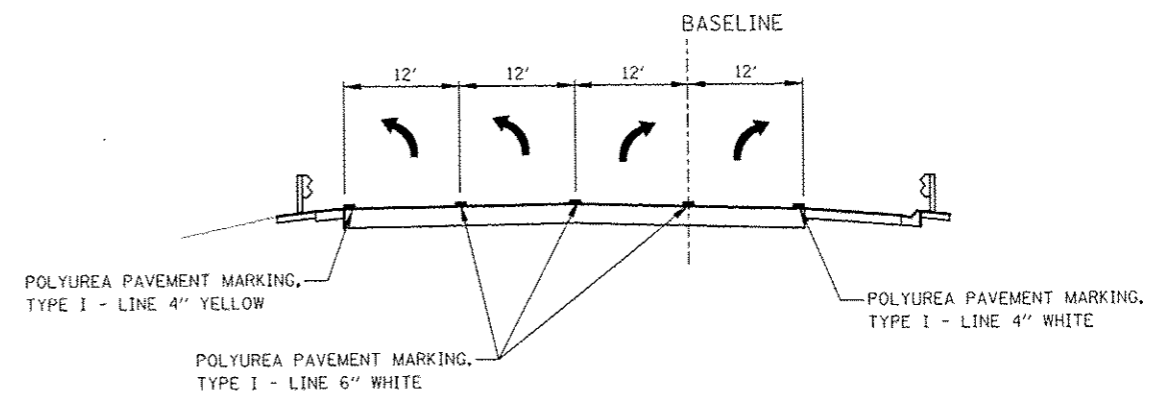
**STAGE 3B**



**STAGE 4 & 4A**



**STAGE 3C**



**STAGE 4B  
(PROPOSED CONFIGURATION)**

FILE NAME: 60131	USER NAME: KUGER	DESIGNED: PJD	REVISED: -	<b>STATE OF ILLINOIS DEPARTMENT OF TRANSPORTATION</b>	<b>MAINTENANCE OF TRAFFIC TYPICAL SECTIONS RAMP B</b>	F.A.P. RTE.:	SECTION:	COUNTY:	TOTAL SHEETS:	SHEET NO.:
DATE: 10/15/2012	CHECKED: JCM	REVISED: -	338			(112 & 113) WRS-5	DUPAGE	963	113	
PLT SCALE: AS SHOWN	DATE: 10/15/2012	REVISED: -	CONTRACT NO. 60131							
SCALE:	SHEET NO. 15 OF 17 SHEETS	STA. TO STA.	ILLINOIS FED. AID PROJECT							