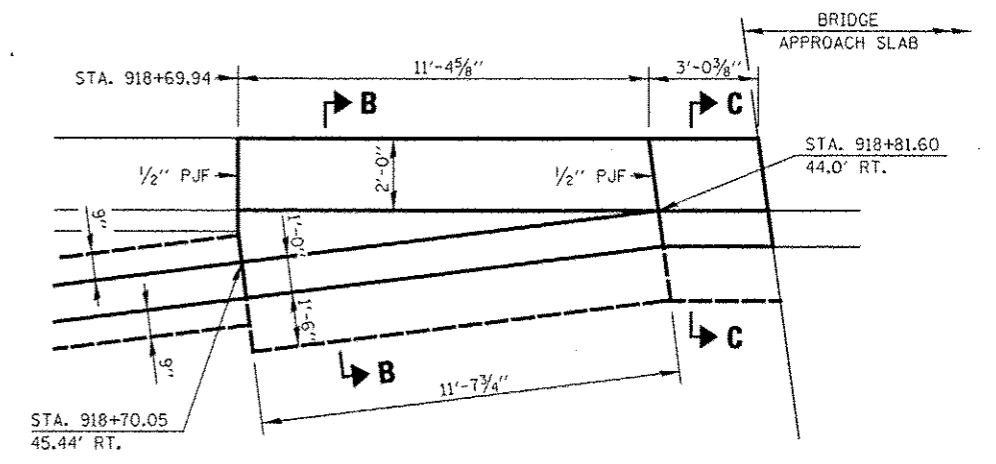
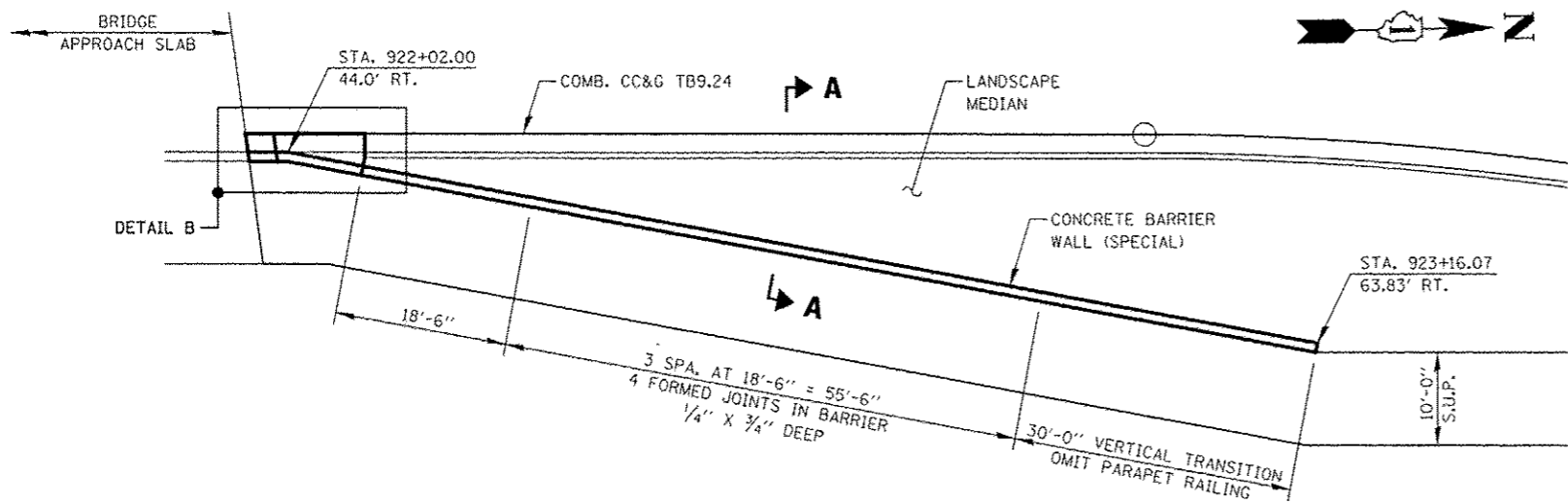


PLAN - SOUTH BARRIER

STA. 917+36 TO STA. 918+85

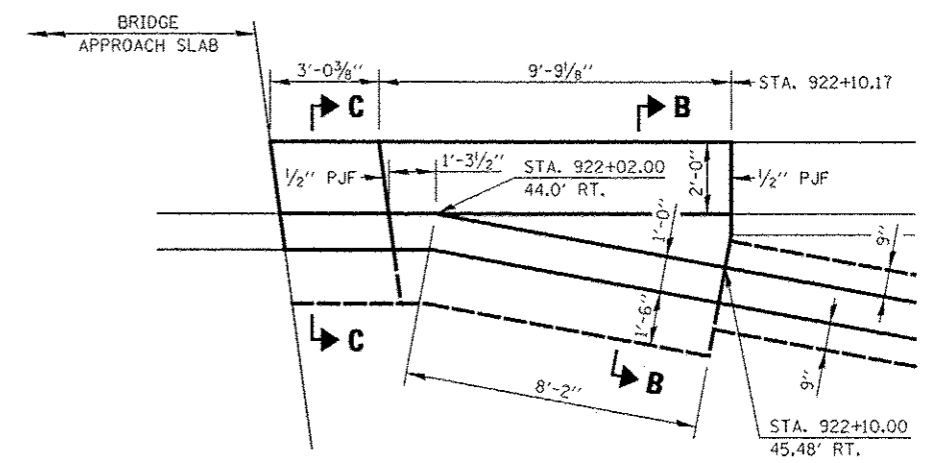


DETAIL A

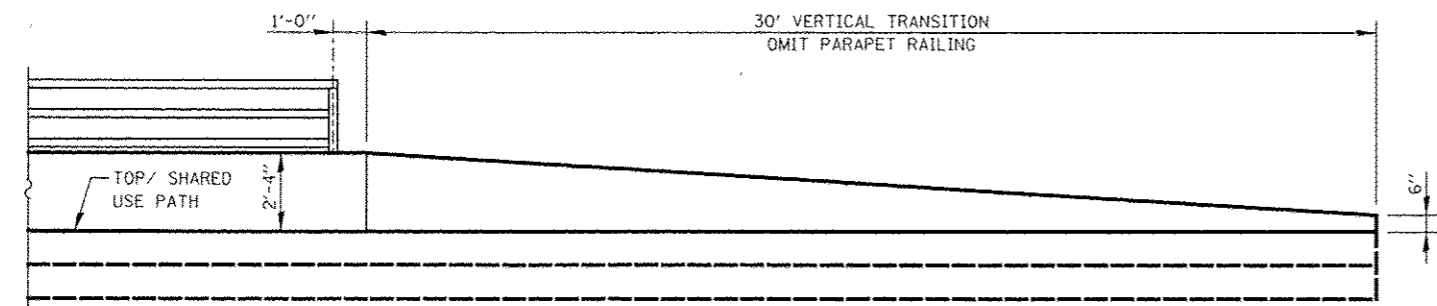


PLAN - NORTH BARRIER

STA. 921+98 TO STA. 923+16



DETAIL B



ELEVATION VIEW

LEGEND

- PJF PREFORMED JOINT FILLER
- S.U.P. SHARED USE PATH

NOTES

SEE SHEET DT-02 FOR SECTIONS A-A, B-B AND C-C

SEE STRUCTURAL PLANS FOR BRIDGE APPROACH SLAB DETAILS.

FILE NAME: #FILE#	USER NAME: #USER#	DESIGNED: PJO	REVISED: -	STATE OF ILLINOIS DEPARTMENT OF TRANSPORTATION	ROADWAY DETAIL CONCRETE BARRIER WALL (SPECIAL)	F.A.P. RTE:	SECTION	COUNTY	TOTAL SHEETS	SHEET NO.	
		DRAWN: RES	REVISED: -			338	(112 & 113) WRS-5	DUPAGE	963	284	
		CHECKED: JCM	REVISED: -			DT-01		CONTRACT NO. 60131			
		DATE: 10/15/2012	REVISED: -			ILLINOIS FED. AID PROJECT					
						SCALE: NONE	SHEET NO. 1 OF 2 SHEETS	STA. TO STA.			