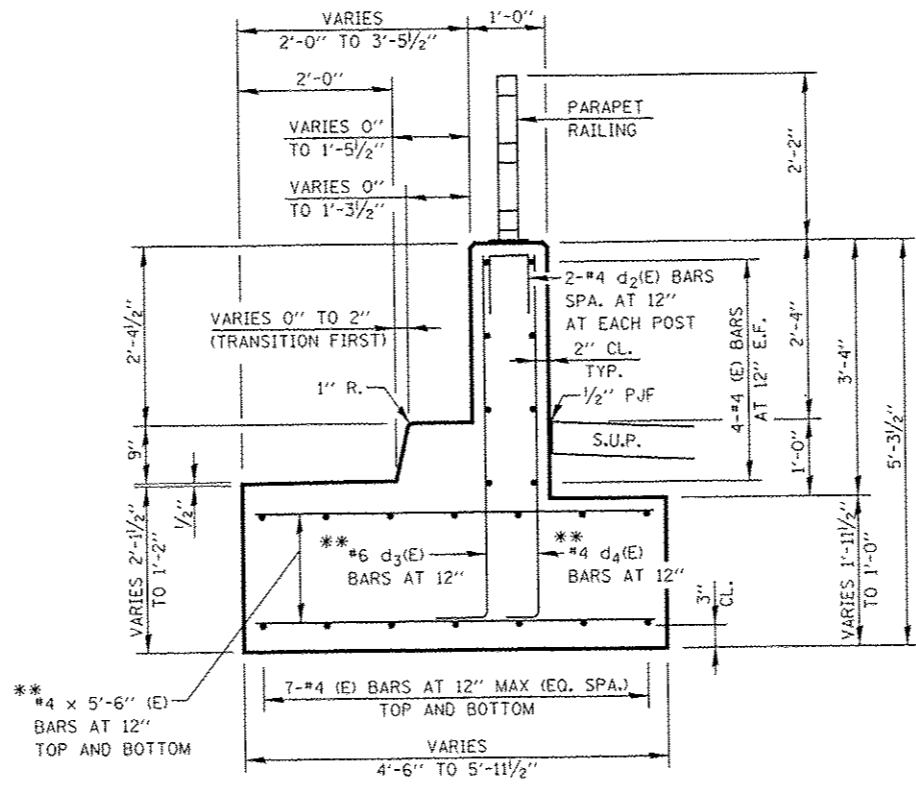


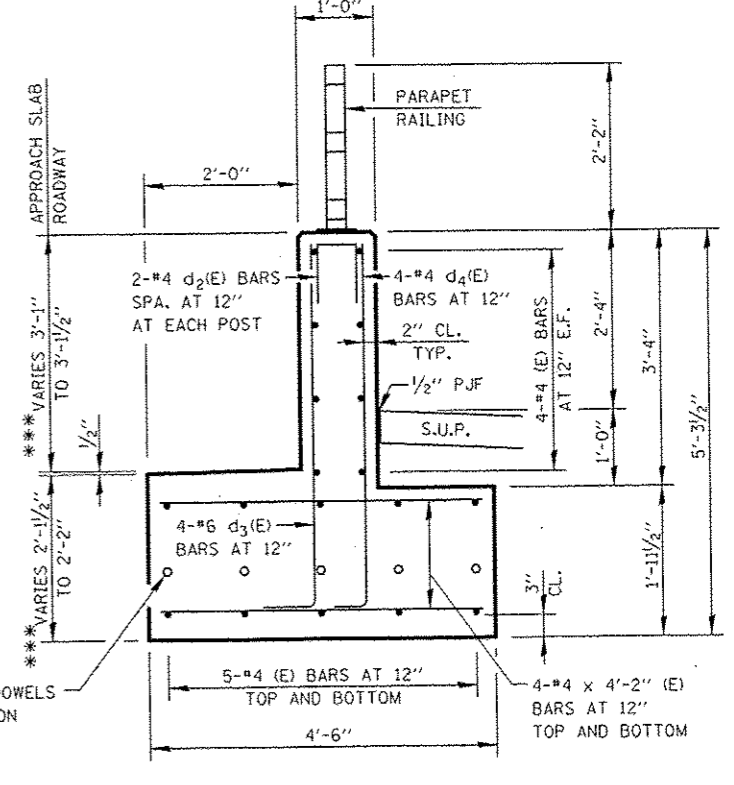
SECTION A-A

*1/2" P.J.F. BETWEEN BARRIER AND CONCRETE SURFACE ONLY



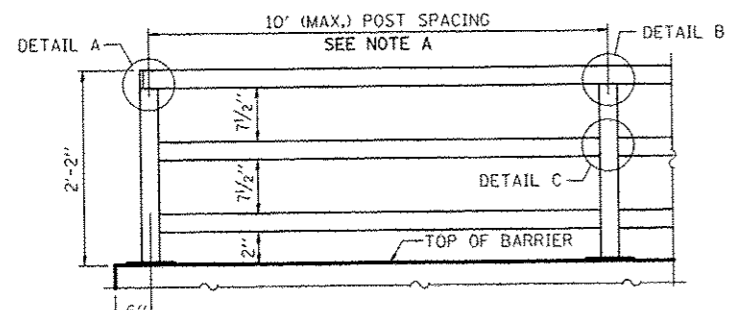
SECTION B-B

**FIELD CUT AS REQUIRED TO FIT



SECTION C-C

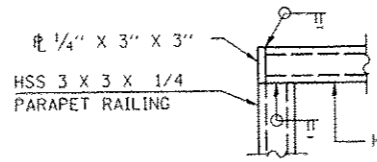
***TRANSITION PAVEMENT AND GUTTER CROSS SLOPE FROM 1/4" / FT (APPROACH SLAB) TO 2.0% (ROADWAY)



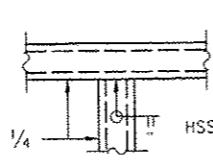
PARAPET RAILING ELEVATION

NOTE A

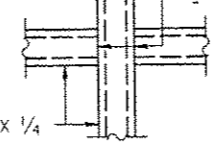
POSTS SHALL BE LOCATED A MINIMUM OF 1'-0" FROM FORMED JOINTS IN BARRIER. IN ADDITION, ONE POST SHALL BE PLACED AT EACH BEND.



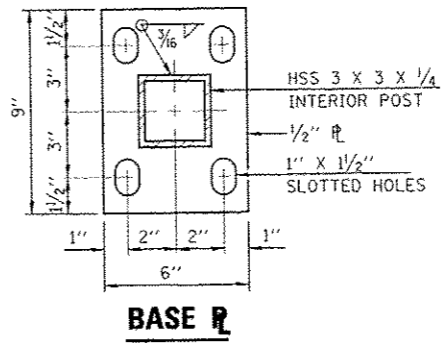
DETAIL A



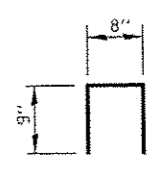
DETAIL B



DETAIL C



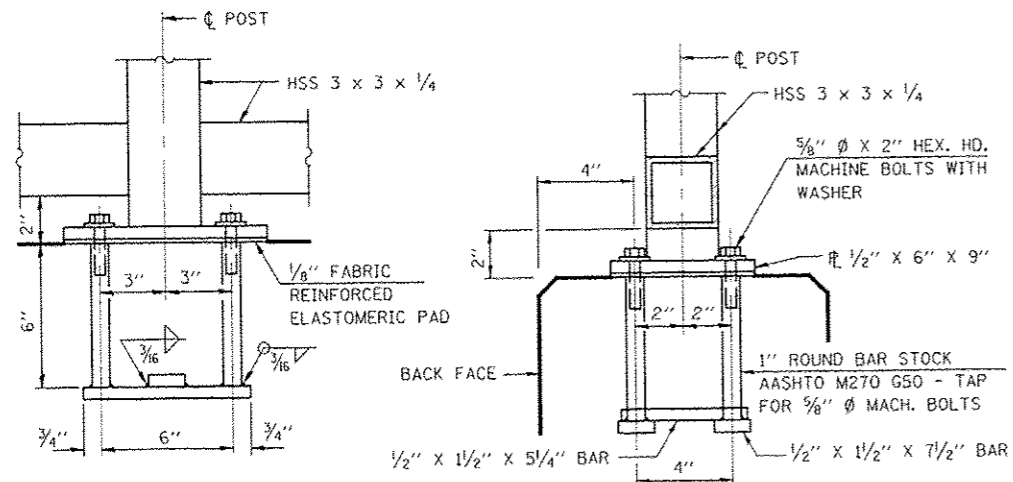
BASE PL



BAR d2(E)

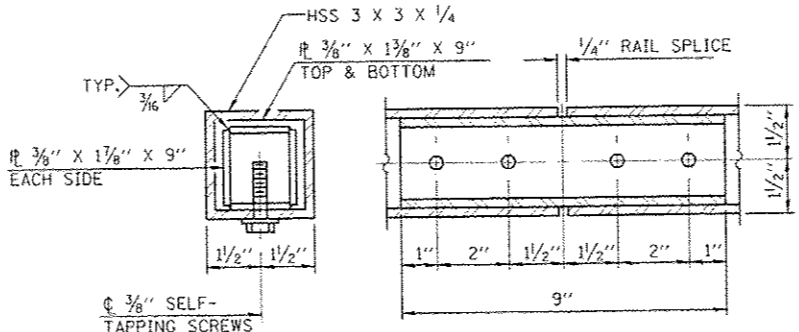
BAR	SIZE	A	B
d2(E)	#6	1'-0"	3'-11"
d1(E)	#4	8"	3'-11"
d3(E)	#6	1'-0"	5'-11"
d4(E)	#4	8"	5'-11"

BARS d(E), d1(E), d3(E), & d4(E)



ANCHOR BOLT DETAILS

IN LIEU OF THE CAST-IN-PLACE ANCHOR DEVICE SHOWN, THE CONTRACTOR HAS THE OPTION OF DRILLING AND SETTING 5/8" Ø ANCHOR RODS ACCORDING TO ARTICLE 509.06 OF THE STANDARD SPECIFICATIONS. EMBEDMENT SHALL BE ACCORDING TO THE MANUFACTURER'S SPECIFICATIONS.



RAIL SPLICE

LEGEND

- E.F. EACH FACE
- P.J.F. PREFORMED JOINT FILLER
- S.U.P. SHARED USE PATH

NOTES

- FOR SHARED USE PATH ELEVATIONS, SEE GRADING PLANS.
- ALL STEEL RAIL ELEMENTS SHALL BE GALVANIZED ACCORDING TO ARTICLE 509.05 OF THE STANDARD SPECIFICATIONS.
- REINFORCEMENT BARS DESIGNATED (E) SHALL BE EPOXY COATED.
- ALL EXPOSED CONCRETE EDGES SHALL HAVE A 3/4" X 45° CHAMFER, EXCEPT WHERE SHOWN OTHERWISE. CHAMFER ON VERTICAL EDGES SHALL BE CONTINUED A MINIMUM OF ONE FOOT BELOW FINISHED GROUND LEVEL.
- REINFORCEMENT BARS SHALL BE INCLUDED IN THE COST OF CONCRETE BARRIER WALL (SPECIAL).
- PARAPET RAILING SHALL BE PAID FOR AS PARAPET RAILING.