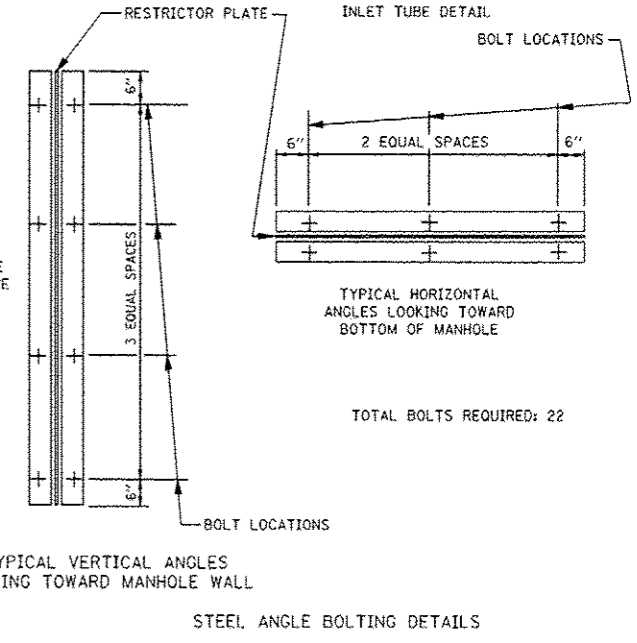


- NOTES:
1. ANGLES SHOULD BE 3"x3"x3/8"
  2. VERTICAL ANGLES SHOULD EXTEND FROM THE BOTTOM OF THE RESTRICTOR PLATE TO THE TOP.
  3. HORIZONTAL ANGLES SHOULD EXTEND FROM VERTICAL ANGLE TO VERTICAL ANGLE.
  4. ALL STEEL ANGLES AND PLATES TO BE GALVANIZED AFTER FABRICATION.
  5. BASIS OF PAYMENT: "MANHOLES, WITH RESTRICTOR PLATE" WILL BE PAID FOR AS EACH. THE PAY ITEM SHALL INCLUDE THE CONCRETE MANHOLE, THE FRAMES AND LIDS, THE RESTRICTOR PLATE AND ALL ANGLES AND HARDWARE SHOWN IN THIS DRAWING.



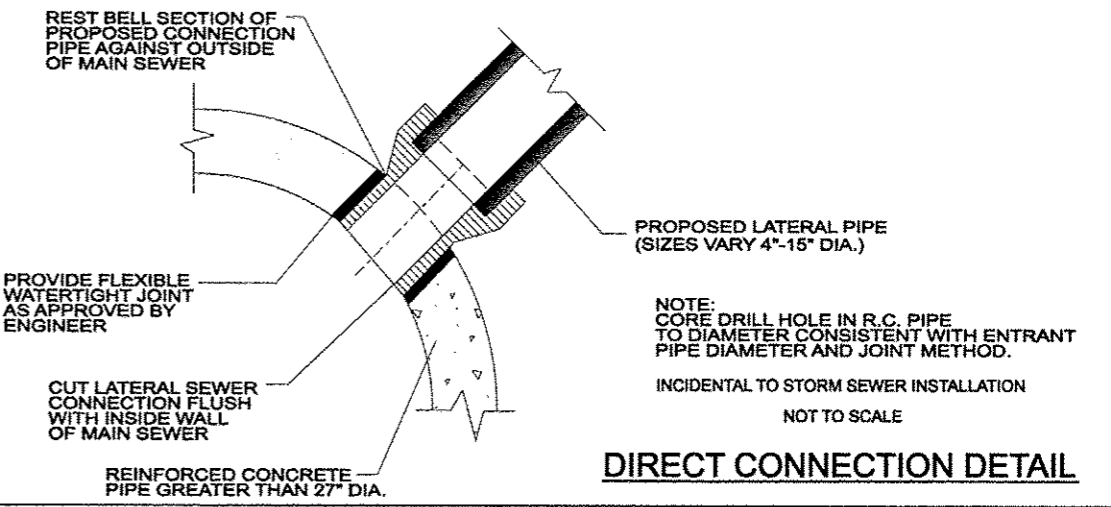
1	2	3	4	5	6
RE-ENTRANT TUBE	SHARP EDGES	SQUARE EDGED	RE-ENTRANT TUBE	SQUARE EDGED	ROUNDED
LENGTH 1/2 TO 1 DIA.		LENGTH 1 TO 2 DIA.	LENGTH 2-1/2 DIA.	LENGTH 2-1/2 DIA.	
C=.52	C=.61	C=.61	C=.73	C=.82	C=.98

VALUES OF "C" FOR CIRCULAR AND SQUARE ORIFICES

STR NO.	PAY ITEM	MANHOLE DIAMETER	FRAME AND LID	RESTRICTOR TYPE	RESTRICTOR DIAMETER (d)	INVERT OF RESTRICTOR	ELEVATION OF TOP OF PLATE OVERFLOW
369	MANHOLE WITH RESTRICTOR PLATE	8'	T10L	2	36.0"	698.93	703.71
157	MANHOLES, TY A, 6'-DIA.W/ 2 TY1 FR, OPEN LIDS, RESTRICTOR PLATE	6'	T10L	2	27.0"	709.32	713.82

REFER TO PROPOSED STRUCTURE SCHEDULE FOR STRUCTURE STATION, OFFSET, RIM ELEVATION, AND INVERTS.

MANHOLE WITH RESTRICTOR PLATE



DIRECT CONNECTION DETAIL

FILE NAME *	USER NAME * #USER*	DESIGNED PJO	REVISED - 06/20/2012
#FILE#		DRAWN KES	REVISED - 06/20/2012
	PLOT SCALE * #SCALE*	CHECKED JCM	REVISED -
	PLOT DATE * #DATE*	DATE 10/15/2012	REVISED -

STATE OF ILLINOIS  
DEPARTMENT OF TRANSPORTATION

SCALE: AS SHOWN	SHEET NO. 2 OF 3 SHEETS	STA.	TO STA.
-----------------	-------------------------	------	---------

F.A.P. RTE.	SECTION	COUNTY	TOTAL SHEETS	SHEET NO.
338	(112 & 113) WRS-5	DUPAGE	963	362
DB-02			CONTRACT NO. 60131	
ILLINOIS FED. AID PROJECT				