

* Center of horizontal to center of splice dimension may vary. Verify before drilling holes in mounting tube.

PLAN DETAIL "A"
 @ Span between Panel Points

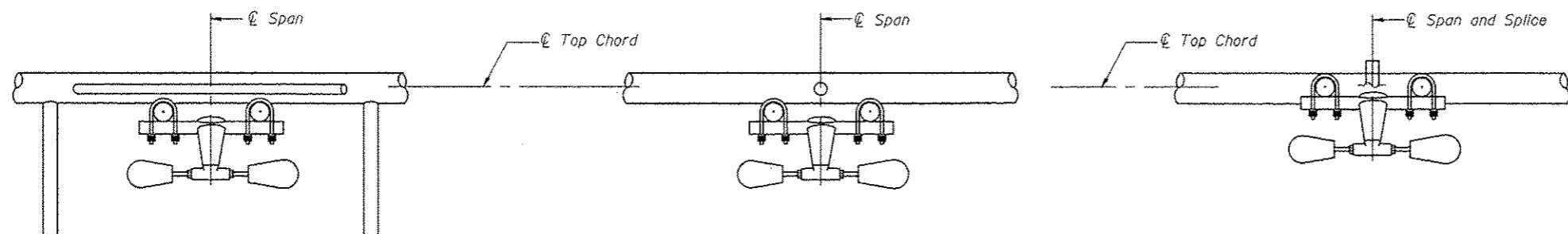
PLAN DETAIL "B"
 @ Span at Panel Point

PLAN DETAIL "C"
 @ Span at @ Chord Splice

NOTES

Damper: One damper per truss. (31 lbs. minimum Stockbridge-Type Aluminum - 29" minimum between ends of weights) Cost included in Overhead Sign Structure...

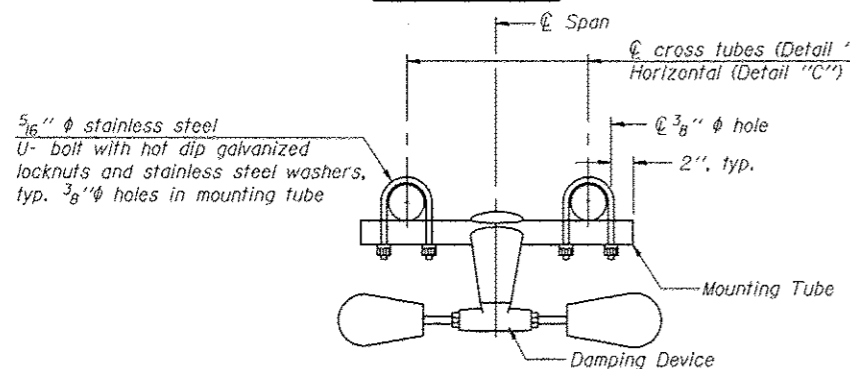
Materials: Materials: Aluminum tubes shall be ASTM B221 alloy 6061 temper T6. Cost included in Overhead Sign Structure...



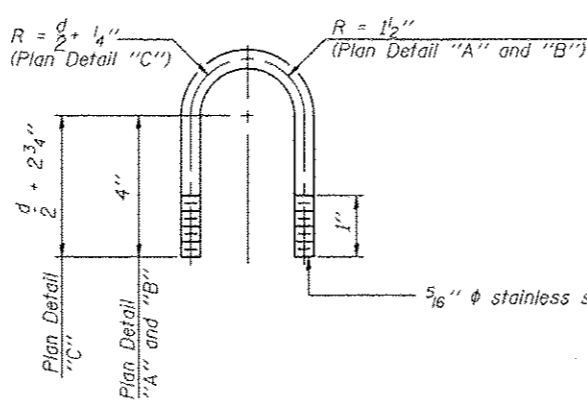
SECTION A-A

SECTION B-B

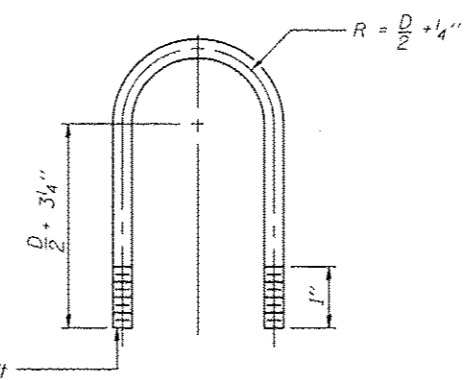
SECTION C-C



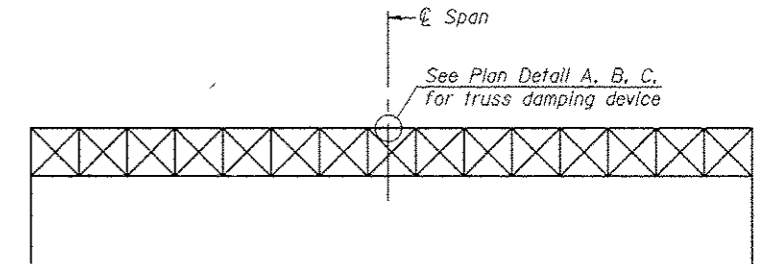
TRUSS DAMPING DEVICE CONNECTION DETAIL
 (Typical)



DAMPING DEVICE MOUNTING TUBE U-BOLT DETAIL
 (Typical)



TOP CHORD TO CROSS TUBE U-BOLT DETAIL
 (Typical - Detail "A" and "B")



ELEVATION
 Aluminum Overhead Sign Truss

OS-A-D

6-1-12

FILE NAME	USER NAME	DESIGNED	REVISED	STATE OF ILLINOIS DEPARTMENT OF TRANSPORTATION	OVERHEAD SIGN STRUCTURE DAMPING DEVICE		F.A.P. RTE.	SECTION	COUNTY	TOTAL SHEETS	SHEET NO.
DATE	DRAWN	CHECKED	REVISED				338	1112 & 113) WRS-5	DUPAGE	963	407
DATE	CHECKED	DATE	REVISED				CONTRACT NO. 60131			ILLINOIS FED. AID PROJECT	
DATE	DATE	DATE	DATE				SHEET NO. 7 OF 15 SHEETS		STA.	TO STA.	