

NOTES

- HIGH MAST LIGHT TOWER, CCTV CAMERA AND CONDUIT FROM HANDHOLE TO LIGHT TOWER ARE SHOWN FOR INFORMATIONAL PURPOSES ONLY. SEE LIGHTING PLANS FOR DETAILS.
- FIBER OPTIC INNERDUCT SHOWN IS FOR INFORMATION ONLY. SEE LIGHTING PLANS FOR DETAILS.

MATCH LINE STA. 922+50 (NB)

MATCH LINE STA. 822+56 (SB)

INNERDUCT TO G4S TECHNOLOGY (ILLINOIS TOLLWAY) (SEE NOTE 2)

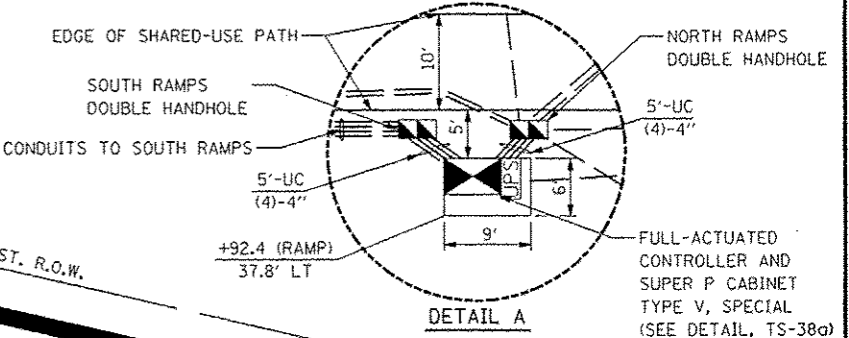
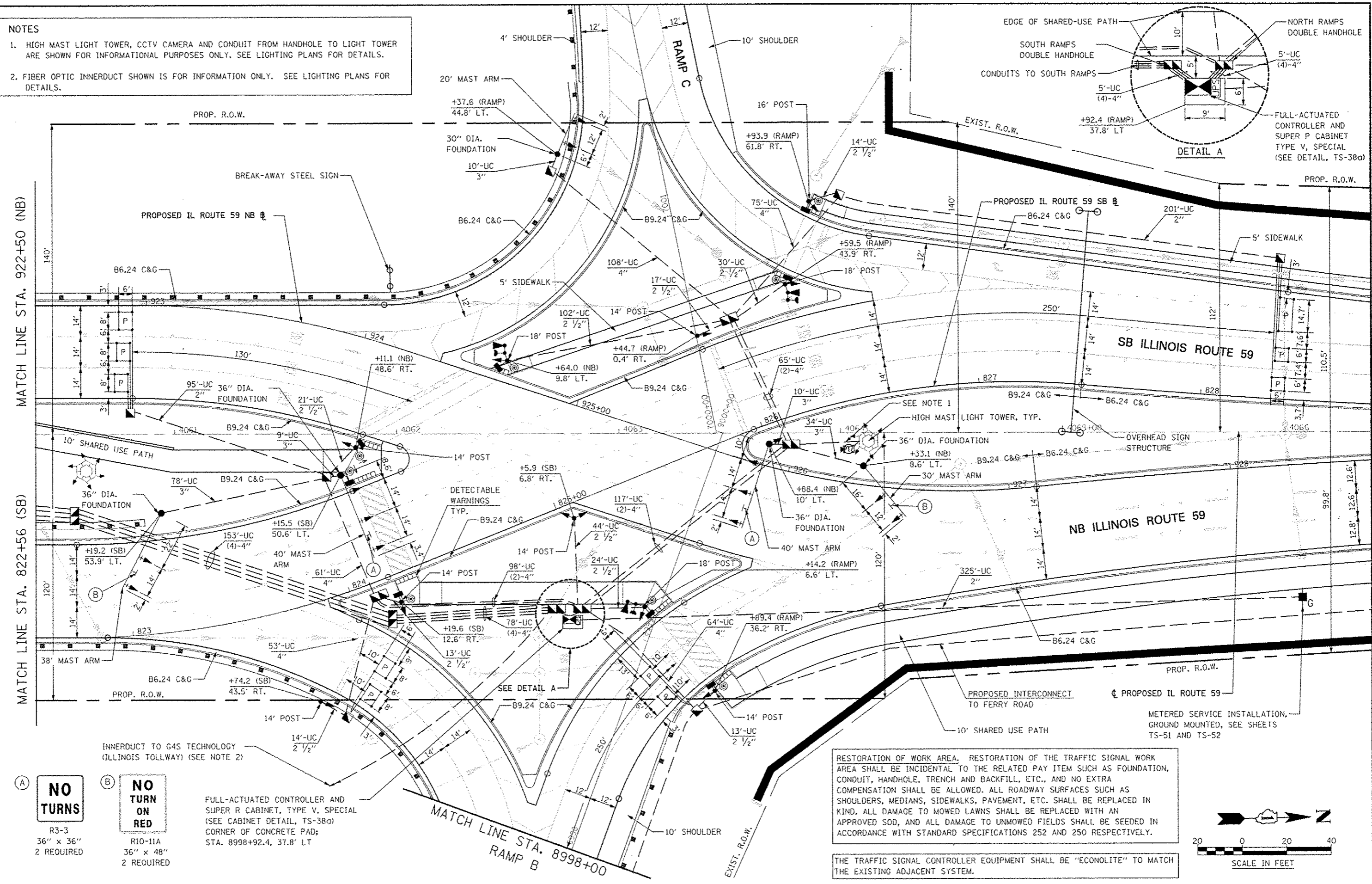
(A) NO TURNS

R3-3
36" x 36"
2 REQUIRED

(B) NO TURN ON RED

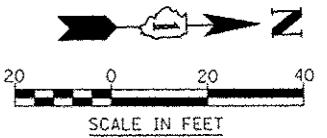
R10-11A
36" x 48"
2 REQUIRED

FULL-ACTUATED CONTROLLER AND SUPER R CABINET, TYPE V, SPECIAL (SEE CABINET DETAIL, TS-38a) CORNER OF CONCRETE PAD; STA. 8998+92.4, 37.8' LT



RESTORATION OF WORK AREA, RESTORATION OF THE TRAFFIC SIGNAL WORK AREA SHALL BE INCIDENTAL TO THE RELATED PAY ITEM SUCH AS FOUNDATION, CONDUIT, HANDHOLE, TRENCH AND BACKFILL, ETC., AND NO EXTRA COMPENSATION SHALL BE ALLOWED. ALL ROADWAY SURFACES SUCH AS SHOULDERS, MEDIANS, SIDEWALKS, PAVEMENT, ETC. SHALL BE REPLACED IN KIND. ALL DAMAGE TO MOWED LAWNS SHALL BE REPLACED WITH AN APPROVED SOD, AND ALL DAMAGE TO UNMOWED FIELDS SHALL BE SEEDED IN ACCORDANCE WITH STANDARD SPECIFICATIONS 252 AND 250 RESPECTIVELY.

THE TRAFFIC SIGNAL CONTROLLER EQUIPMENT SHALL BE "ECONOLITE" TO MATCH THE EXISTING ADJACENT SYSTEM.



FILE NAME	USER NAME	DESIGNED	REVISED	STATE OF ILLINOIS DEPARTMENT OF TRANSPORTATION	PROPOSED TRAFFIC SIGNAL PLAN ILLINOIS ROUTE 59 AND I-88 NORTH RAMPS	F.A.P. RTE.	SECTION	COUNTY	TOTAL SHEETS
92111	80588	MJM	-			338	012 & 113	WRS-5	963
SCALE	PLOT SCALE	CHECKED	REVISED			TS-30		DUPAGE	445
AS SHOWN	#SCALE#	JCM	REVISED			ILLINOIS FED. AID PROJECT			
	PLOT DATE	DATE	REVISED			STA.	TO STA.		CONTRACT NO. 60131
	#DATE#	10/15/2012							