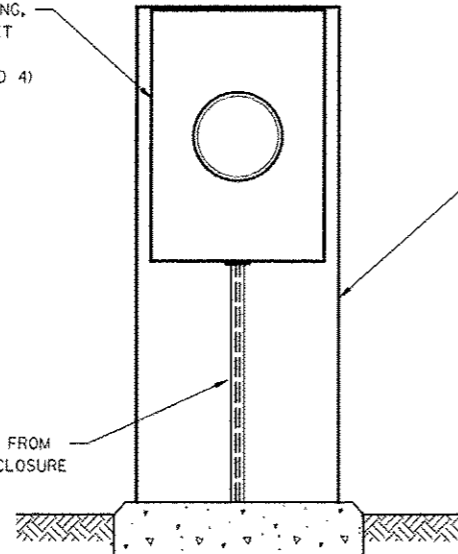


ELECTRIC METER HOUSING,
ELECTRIC METER SOCKET
AND ELECTRIC METER
(SEE NOTES 1, 2, 3 AND 4)

2" CONDUIT FROM
UTILITY ENCLOSURE



ELECTRIC SERVICE GROUND
MOUNT ENCLOSURE
(DOOR SIDE)

NOTES

1. THE ELECTRIC METER HOUSING AND ELECTRIC METER SOCKET SHALL BE SUPPLIED AND INSTALLED BY THE CONTRACTOR. THE ELECTRIC METER HOUSING AND ELECTRIC METER SOCKET SHALL BE IN ACCORDANCE WITH NAPERVILLE ELECTRIC'S REQUIREMENTS. THE CONTRACTOR SHALL BE RESPONSIBLE FOR COORDINATION WITH NAPERVILLE ELECTRIC FOR THESE ITEMS.
2. NAPERVILLE ELECTRIC WILL SUPPLY THE ELECTRIC METER TO BE INSTALLED BY THE CONTRACTOR.
3. CONTRACTOR SHALL SUBMIT SHOP DRAWINGS FOR THE SUPPORTS AND ATTACHMENT PLANS FOR APPROVAL BY THE ENGINEER. THE ELECTRIC METER HOUSING SHALL BE INSTALLED FLUSH WITH THE TOP OF THE ELECTRIC SERVICE GROUND MOUNT CABINET.
4. ALL WORK SHOWN IN THIS DETAIL SHALL BE INCLUDED IN THE CONTRACT UNIT PRICE FOR SERVICE INSTALLATION - GROUND MOUNTED.

ELECTRICAL SERVICE METER AND LOAD BREAK SWITCH DETAIL

TRAFFIC SIGNALS SERVICE

(NOT TO SCALE)



FILE NAME *	USER NAME * #USER*	DESIGNED <i>PJO</i>	REVISED - ADDENDUM A 12/17/2012
#FILE#		DRAWN <i>KES</i>	REVISED -
	PLOT SCALE * #SCALE*	CHECKED <i>JCM</i>	REVISED -
	PLOT DATE * #DATE*	DATE <i>10/15/2012</i>	REVISED -

**STATE OF ILLINOIS
DEPARTMENT OF TRANSPORTATION**

METERED ELECTRIC SERVICE AND LOAD BREAK SWITCH DETAILS

SCALE: NONE SHEET NO. 53 OF 53 SHEETS STA. TO STA.

F.A.P. RTE.	SECTION	COUNTY	TOTAL SHEETS	SHEET NO.
338	(112 & 113) WRS-5	DUPAGE	963	468
TS-52			CONTRACT NO. 60I31	
<small>ILLINOIS FED. AID PROJECT</small>				