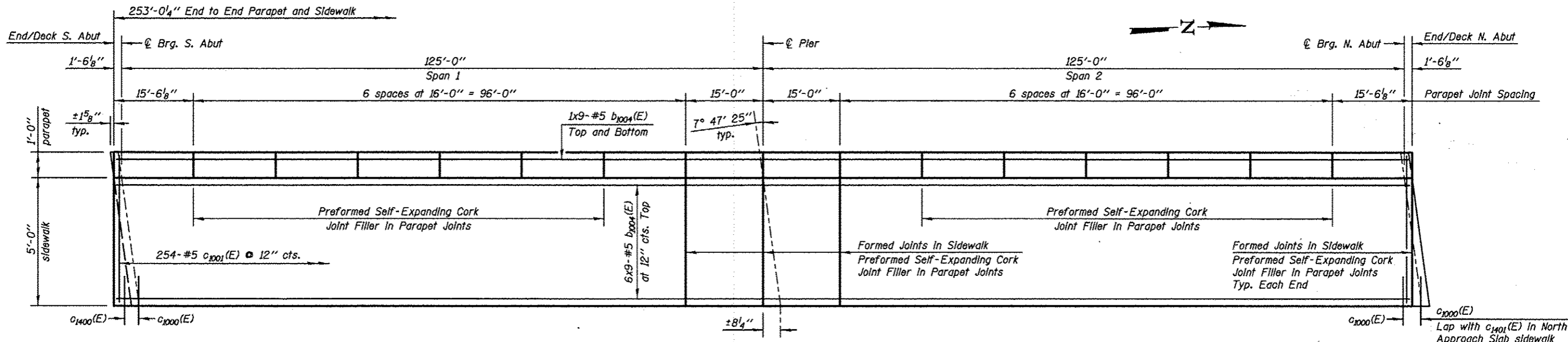
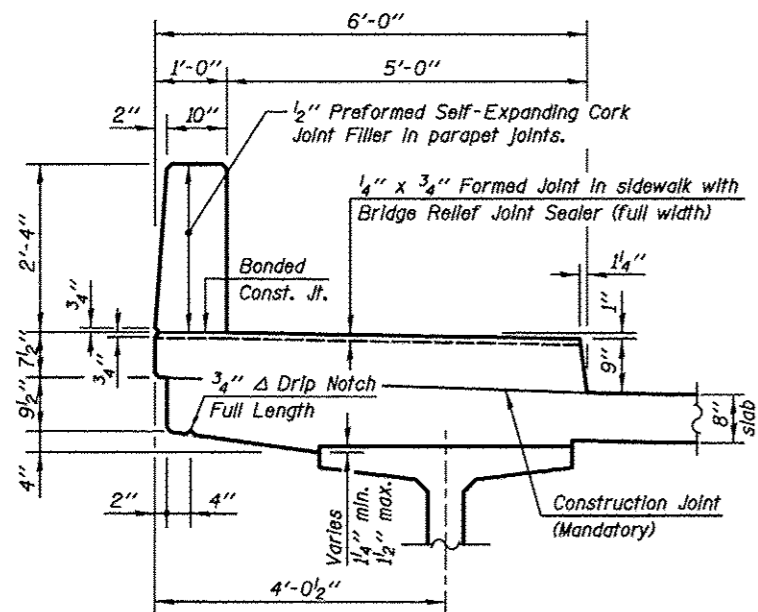


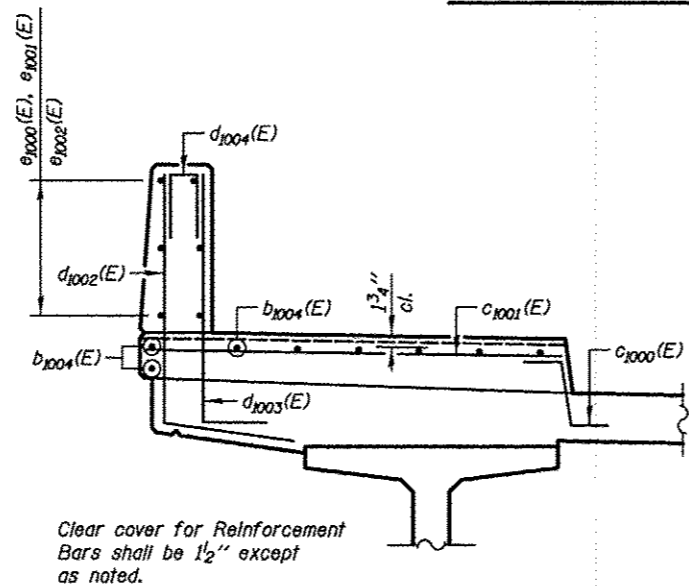
INSIDE ELEVATION OF PARAPET



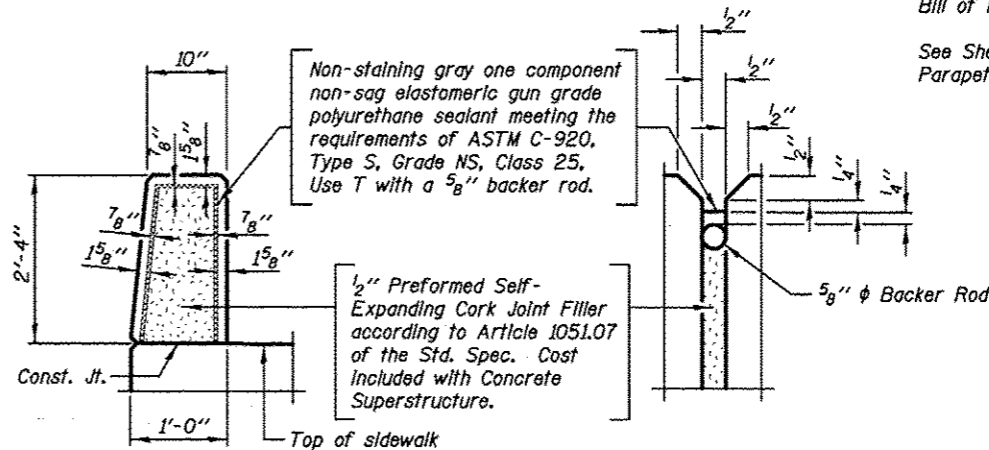
SIDEWALK - PARTIAL PLAN



SECTION THRU SIDEWALK & PARAPET (Showing Dimensions)



SECTION THRU SIDEWALK & PARAPET (Showing Reinforcement Bars)



PARAPET JOINT DETAILS

Notes:

Bars indicated thus 20 x 3-#5 etc. indicates 20 lines of bars with 3 lengths per line.

See Sheet SA-24 for Deck Misc. Details and Bill of Materials.

See Sheet SA-38 for Bridge Fence Railing, Parapet Mounted Details

MIN. BAR LAPS:

#5 = 3'-3"

KNIGHT
Engineers & Architects

DESIGNED - WPM
CHECKED - TB
DRAWN - TB
CHECKED - WPM
SCALE - NONE
DATE - 10/15/2012

REVISED
REVISED
REVISED
REVISED

STATE OF ILLINOIS
DEPARTMENT OF TRANSPORTATION

SIDEWALK AND PARAPET DETAILS (SB)
S.N. 022-2029 (SB) TOLLWAY B.N. 826
S.N. 022-2030 (NB) TOLLWAY B.N. 825
SHEET NO. SA-21 OF 63 SHEETS

F.A.P. RTE.	SECTION	COUNTY	TOTAL SHEETS	SHEET NO.
338	(112 & 113) WRS-5	DUPAGE	963	605
CONTRACT NO. 60131				
ILLINOIS FED. AID PROJECT				