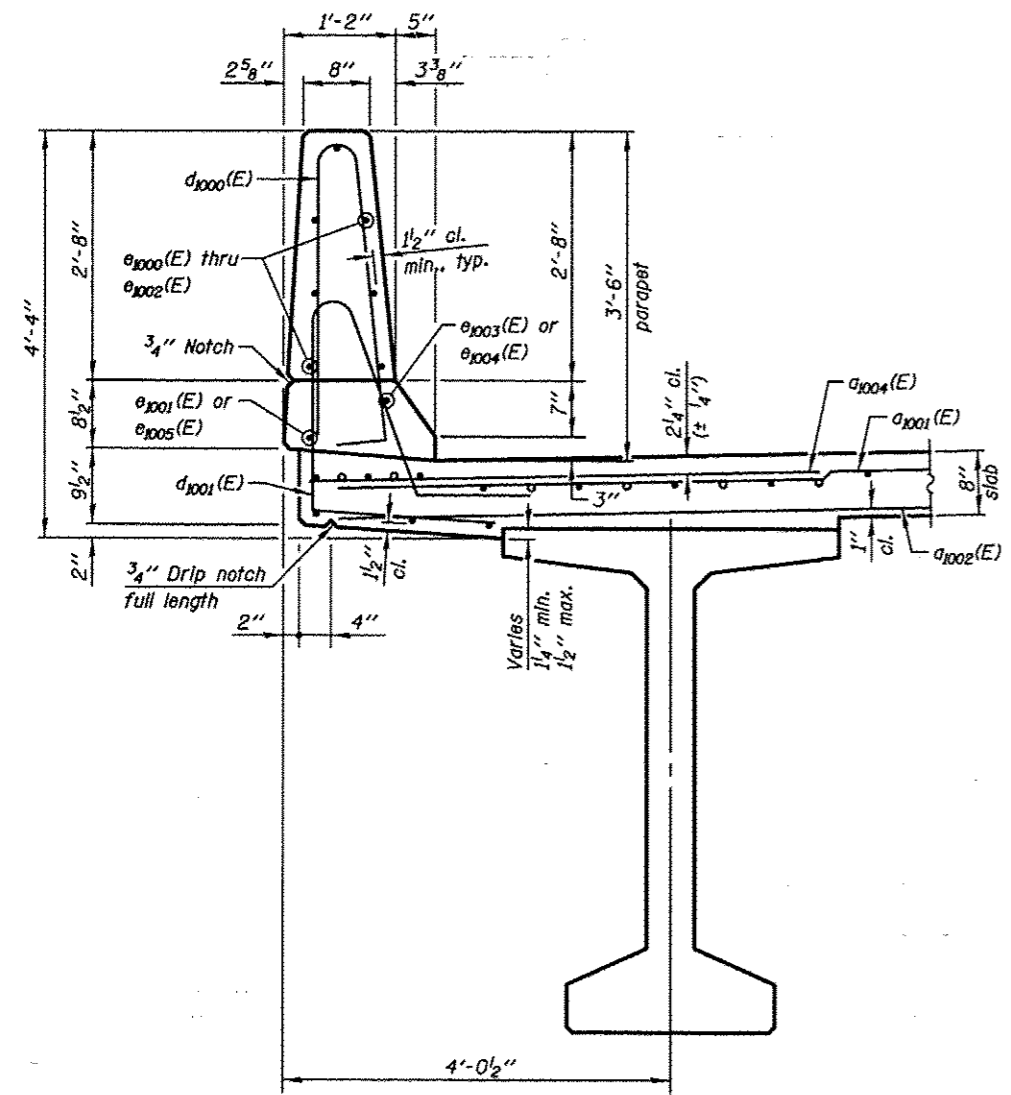
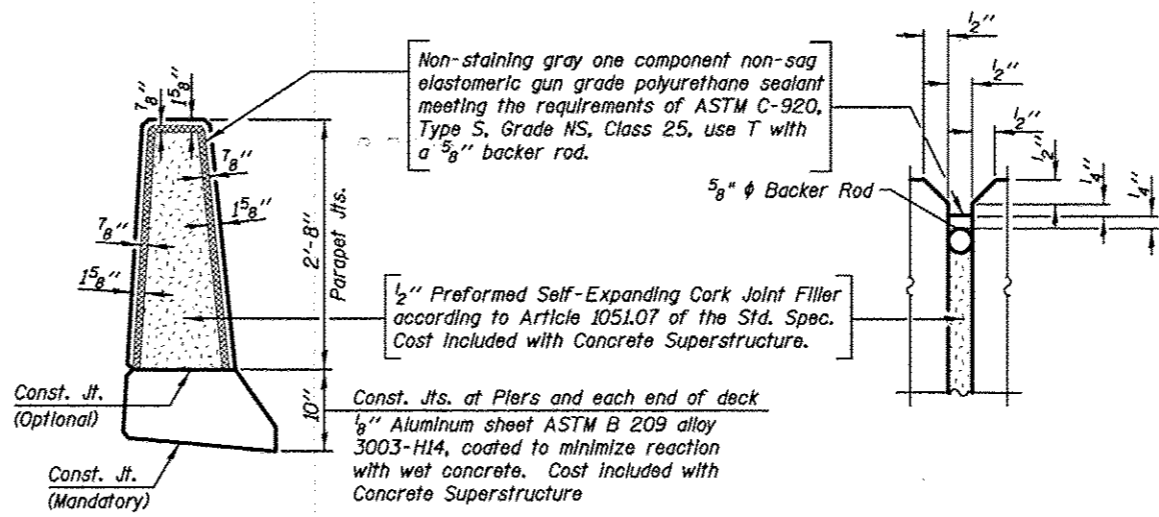


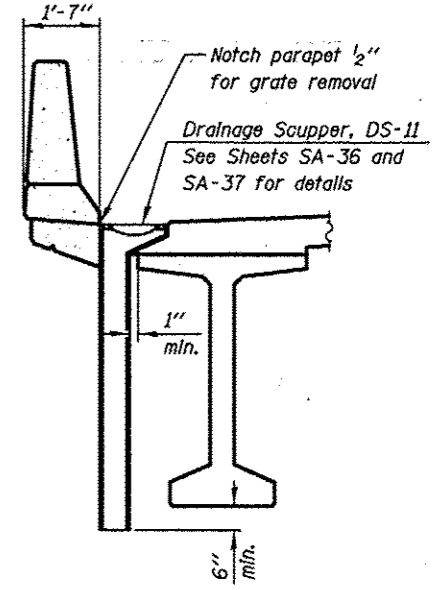
**INSIDE ELEVATION OF EAST PARAPET**



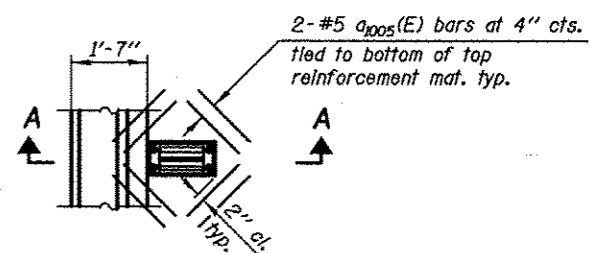
**SECTION THRU PARAPET**



**PARAPET JOINT DETAILS**



**SECTION A-A**



**PLAN**

**Note:**  
Cut longitudinal reinforcement to clear drainage scuppers.

**Notes:**  
Bars indicated thus 20 x 3-#5 etc. indicates 20 lines of bars with 3 lengths per line.  
See Sheet SA-24 for Deck Misc. Details and Bill of Materials.

**MIN. BAR LAPS:**  
#4 = 2'-4"  
#8 = 5'-5"

**KNIGHT**  
Engineers & Architects

SCALE - NONE  
DATE - 10/15/2012

DESIGNED - WPM  
CHECKED - TB  
DRAWN - TB  
CHECKED - WPM

REVISED  
REVISED  
REVISED  
REVISED

STATE OF ILLINOIS  
DEPARTMENT OF TRANSPORTATION

EAST PARAPET DETAILS (SB)  
S.N. 022-2029 (SB) TOLLWAY B.N. 826  
S.N. 022-2030 (NB) TOLLWAY B.N. 825  
SHEET NO. SA-22 OF 63 SHEETS

F.A.P. RTE.	SECTION	COUNTY	TOTAL SHEETS	SHEET NO.
338	(112 & 113) WRS-5	DUPAGE	963	606
ILLINOIS FED. AID PROJECT			CONTRACT NO. 60131	