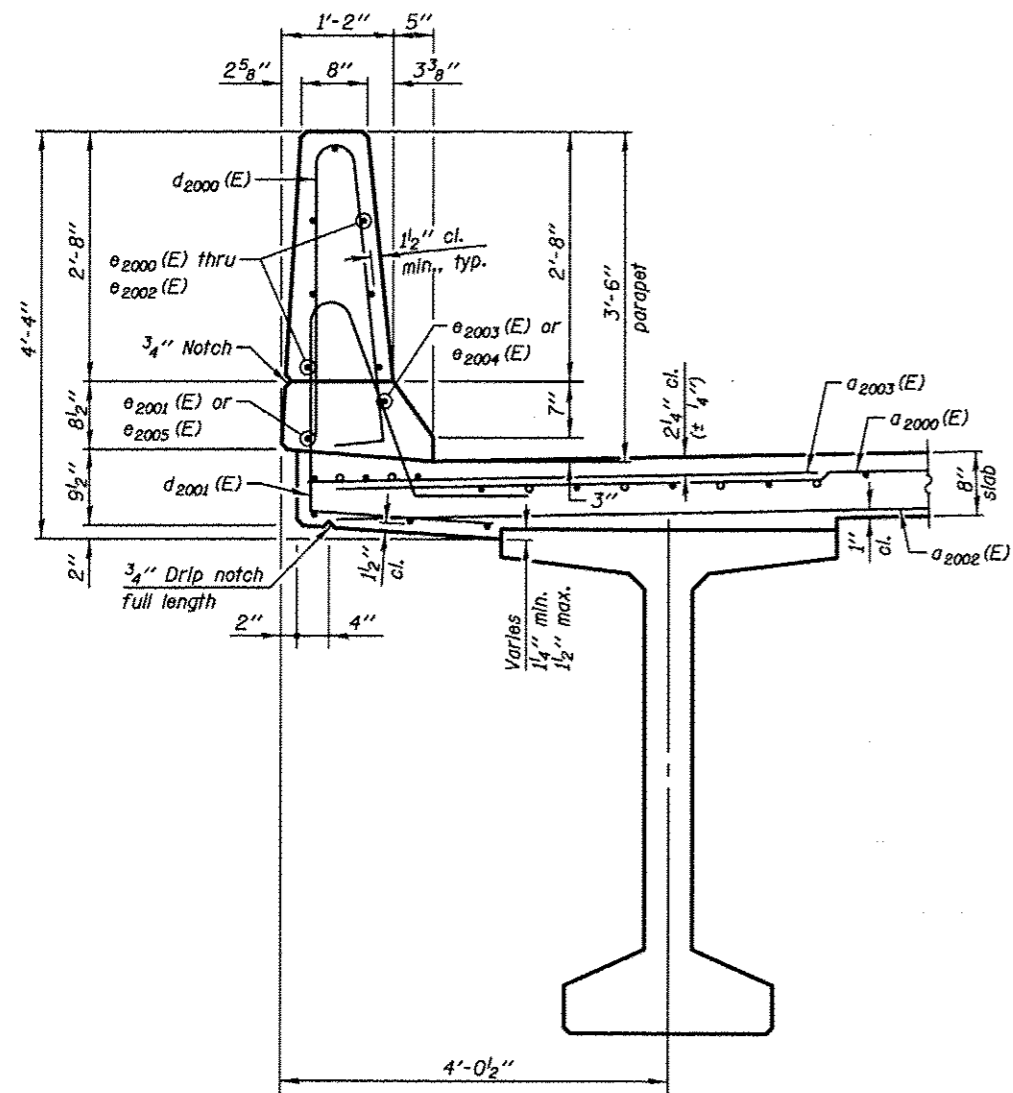
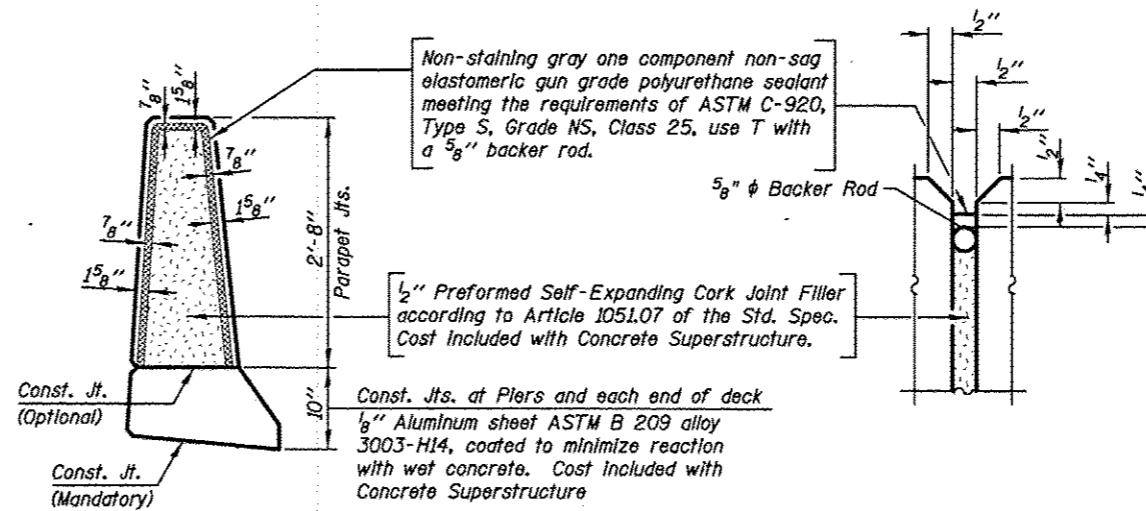


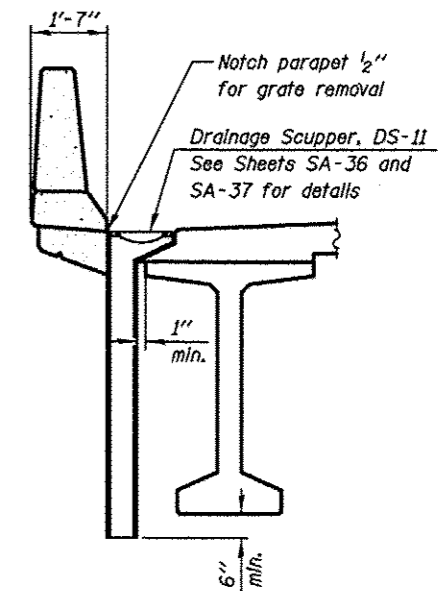
**INSIDE ELEVATION OF WEST PARAPET**



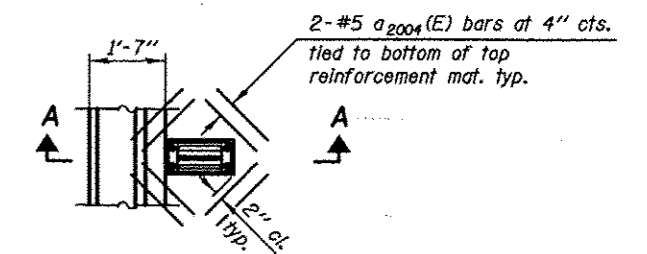
**SECTION THRU PARAPET**



**PARAPET JOINT DETAILS**



**SECTION A-A**



**PLAN**

**Note:**  
Cut longitudinal reinforcement to clear drainage scuppers.

**Notes:**  
Bars indicated thus 20 x 3-#5 etc. indicates 20 lines of bars with 3 lengths per line.  
See Sheet SA-29 for Deck Misc. Details and Bill of Materials.

**MIN. BAR LAPS:**  
#4 = 2'-4"  
#8 = 5'-5"