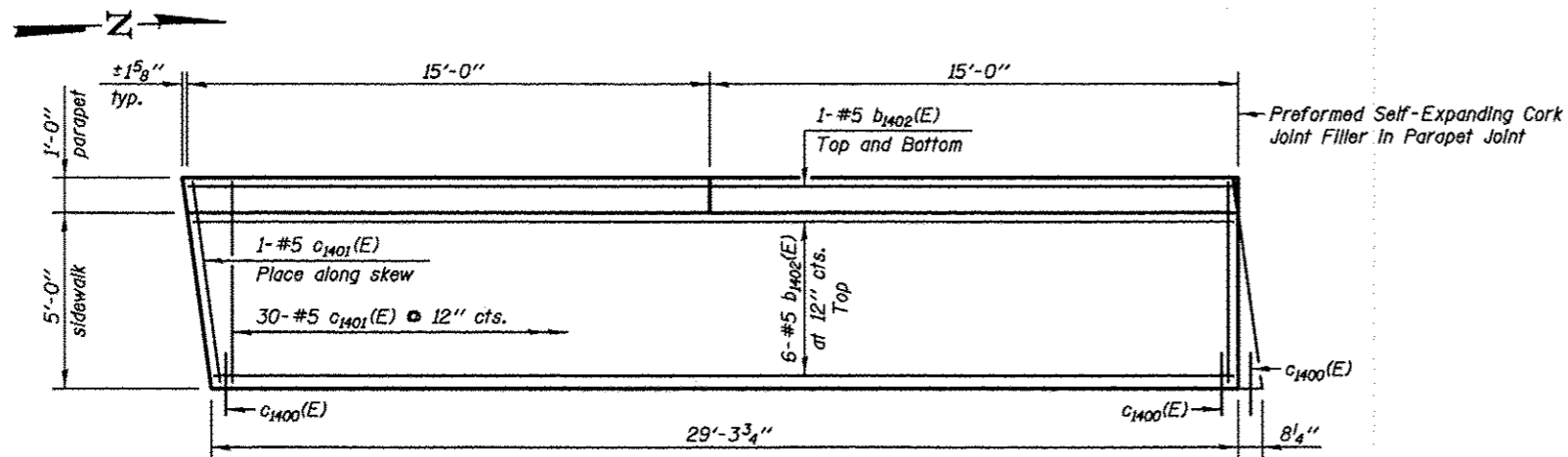
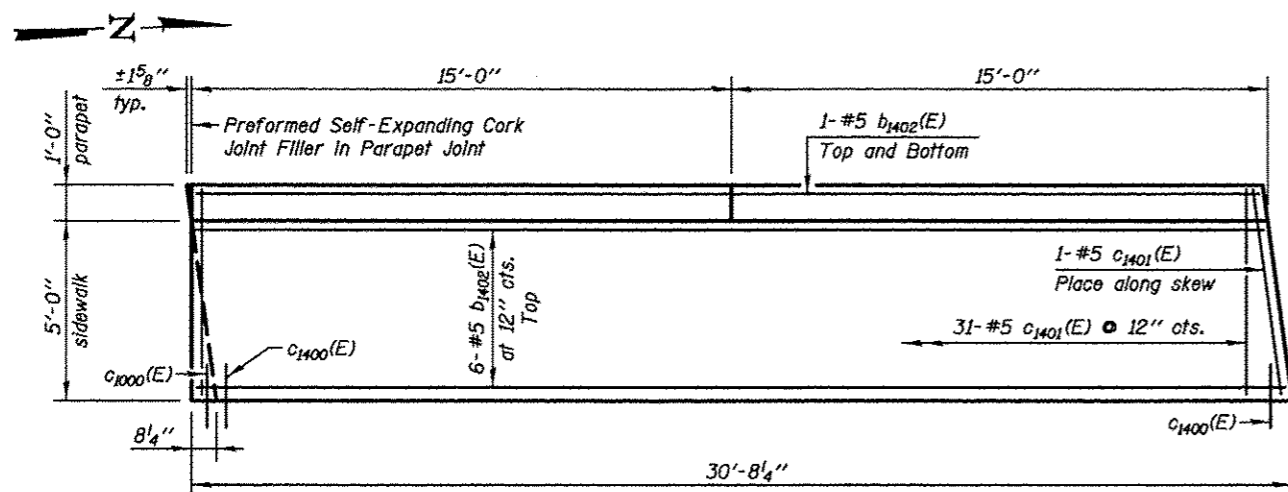


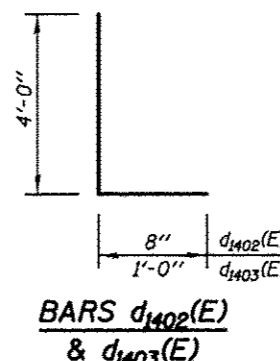
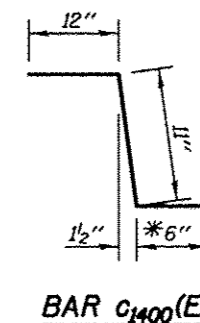
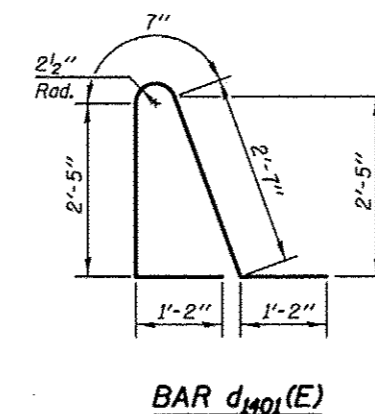
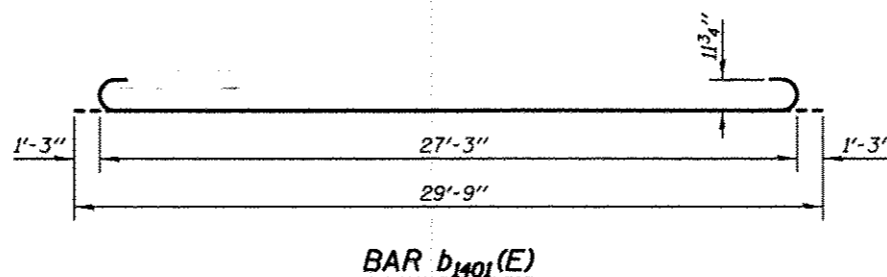
VIEW F-F
Dimensions along inside face of parapet



SIDEWALK - PARTIAL PLAN
South Approach Slab (SB)



SIDEWALK - PARTIAL PLAN
North Approach Slab (SB)



**BILL OF MATERIAL
SOUTH APPROACH SLAB**

BAR	NO.	SIZE	LENGTH	SHAPE
a1400(E)	50	#4	28'-3"	—
a1401(E)	92	#5	28'-9"	—
a1402(E)	24	#6	6'-6"	—
b1400(E)	43	#4	29'-8"	—
b1401(E)	126	#9	29'-9"	—
b1402(E)	8	#5	30'-0"	—
c1400(E)	31	#5	2'-5"	—
c1401(E)	31	#5	5'-8"	—
d1400(E)	34	#5	6'-10"	—
d1401(E)	34	#5	7'-11"	—
d1402(E)	34	#4	4'-8"	—
d1403(E)	34	#6	5'-0"	—
e1400(E)	26	#4	14'-8"	—
e1401(E)	1	#8	29'-8"	—
e1402(E)	1	#4	29'-8"	—
f1400(E)	108	#4	9'-9"	—
w1400(E)	80	#5	28'-9"	—
Reinforcement Bars, Epoxy Coated			LB	22390
Concrete Superstructure			Cu. Yd.	100.0
Concrete Structures			Cu. Yd.	18.0
Bridge Deck Grooving			Sq. Yd.	147.0
Protective Coat			Sq. Yd.	198.0

**BILL OF MATERIAL
NORTH APPROACH SLAB**

BAR	NO.	SIZE	LENGTH	SHAPE
a1400(E)	50	#4	28'-3"	—
a1401(E)	92	#5	28'-9"	—
a1402(E)	24	#6	6'-6"	—
b1400(E)	43	#4	29'-8"	—
b1401(E)	126	#9	29'-9"	—
b1402(E)	8	#5	30'-0"	—
c1400(E)	31	#5	2'-5"	—
c1401(E)	32	#5	5'-8"	—
d1400(E)	34	#5	6'-10"	—
d1401(E)	34	#5	7'-11"	—
d1402(E)	34	#4	4'-8"	—
d1403(E)	34	#6	5'-0"	—
e1400(E)	26	#4	14'-8"	—
e1401(E)	1	#8	29'-8"	—
e1402(E)	1	#4	29'-8"	—
f1400(E)	108	#4	9'-9"	—
w1400(E)	80	#5	28'-9"	—
Reinforcement Bars, Epoxy Coated			LB	22400
Concrete Superstructure			Cu. Yd.	100.0
Concrete Structures			Cu. Yd.	18.0
Bridge Deck Grooving			Sq. Yd.	147.0
Protective Coat			Sq. Yd.	198.0

*In lieu of bottom leg, c1400(E) bars may be cored and set according to Article 509.06 of the Standard Specifications. Cored holes shall be roughened or scored per manufacturer's recommendations. Maximum depth of cored hole shall not exceed 6".

Notes:

Approach slab and parapet concrete shall be paid for as Concrete Superstructure.

Approach footing concrete shall be paid for as Concrete Structures.

Reinforcement shall be paid for as Reinforcement Bars, Epoxy Coated.

Cost of excavation for approach footing included with Concrete Structures.

See Sheet SA-21 for Parapet Joint Details and additional sidewalk and parapet details.